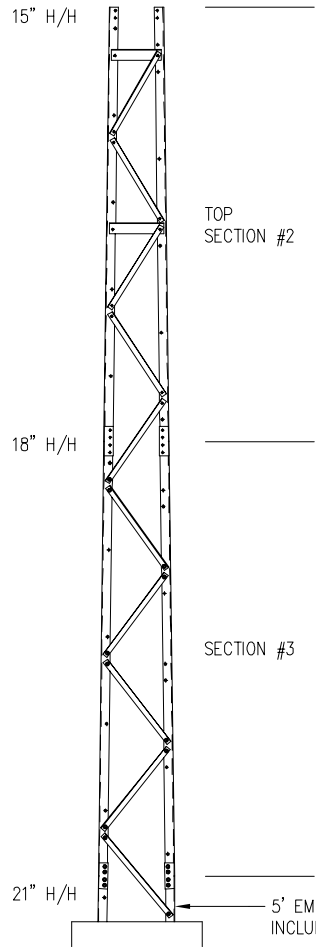


20FT S200 SUPERTITAN TOWER

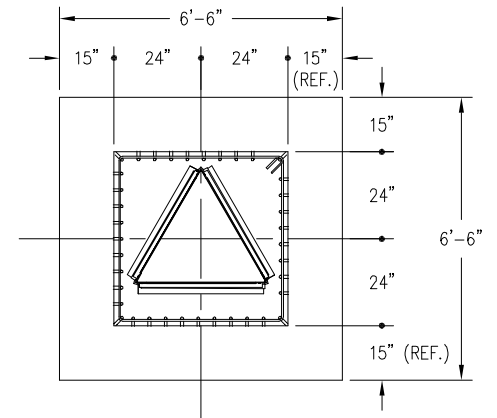
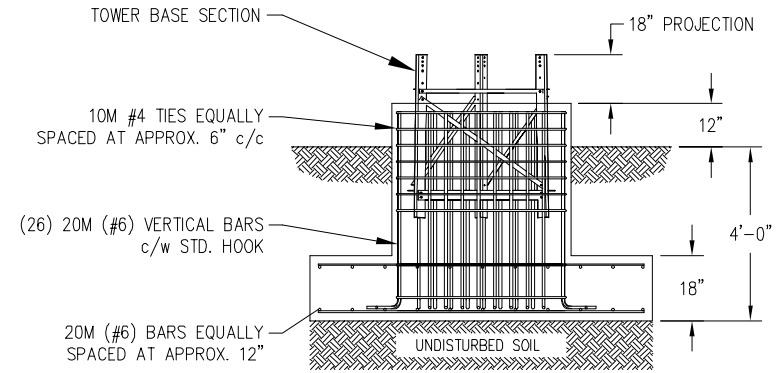


C A N N A D A	MAXIMUM ALLOWABLE ANTENNA AREA - PER CSA-S37-01								
	ROUND ANTENNA MEMBER / FLAT ANTENNA MEMBER								
	CLASS 1 (10mm ICE)			CLASS 1 (25mm ICE)			CLASS 3 (25mm ICE)		
	350Pa	450Pa	550Pa	350Pa	450Pa	550Pa	350Pa	450Pa	550Pa
	93/66	70/50	55/39	93/66	70/50	55/39	120/80	92/81	74/49

FOUNDATION LOADS:
 MAX. OVERTURNING MOMENT (K*FT) =
 MAX. SHEAR (kips) =
 MAX. AXIAL (kips) =

FOUNDATION DESIGN (NORMAL DRY SOIL)

DESIGN ASSUMES THAT FROST DEPTH IS LESS THAN 4'-0"



CUBIC YARDS OF CONCRETE		
PAD CONC VOL.	PIER CONC VOL.	TOTAL VOL.
2.4	2.1	4.5

CONFIDENTIAL: ALL INTELLECTUAL PROPERTY RIGHTS HEREIN ARE THE PROPERTY OF TRYLON MANUFACTURING COMPANY LTD. ALL DUPLICATION, RECORDING, DISCLOSURE OR USE IS PROHIBITED WITHOUT WRITTEN CONSENT OF TRYLON MANUFACTURING COMPANY LTD.

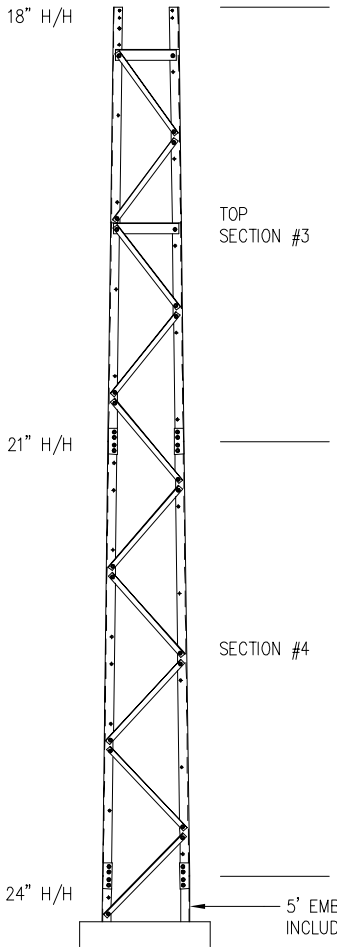


- NOTES:
- 1) KNOCK-DOWN PART NUMBER 5.94.0200.020.
 - 2) PRE-ASSEMBLED PART NUMBER: 5.95.0200.020.
 - 3) ANTENNA LOADS ARE CENTRALLY LOCATED AND BALANCED, 3-FT OR LESS ABOVE THE TOWER TOP.
 - 4) WIND LOADING ASSUMES (1) 1/2" TRANSMISSION LINE PER 10 SQ.FT. OF ROUND MEMBER ANTENNA AREA.

REV.	REV. BY:	CHK. BY:	DESCRIPTION	DATE

CUSTOMER:	SITE:	SCALE:	35,000
DATE:	18 FEB 07	BY:	MRH
CHK:		APP:	
TITLE:	20FT S200 SUPERTITAN TOWER		DRAWING NO. 000001.620.0274

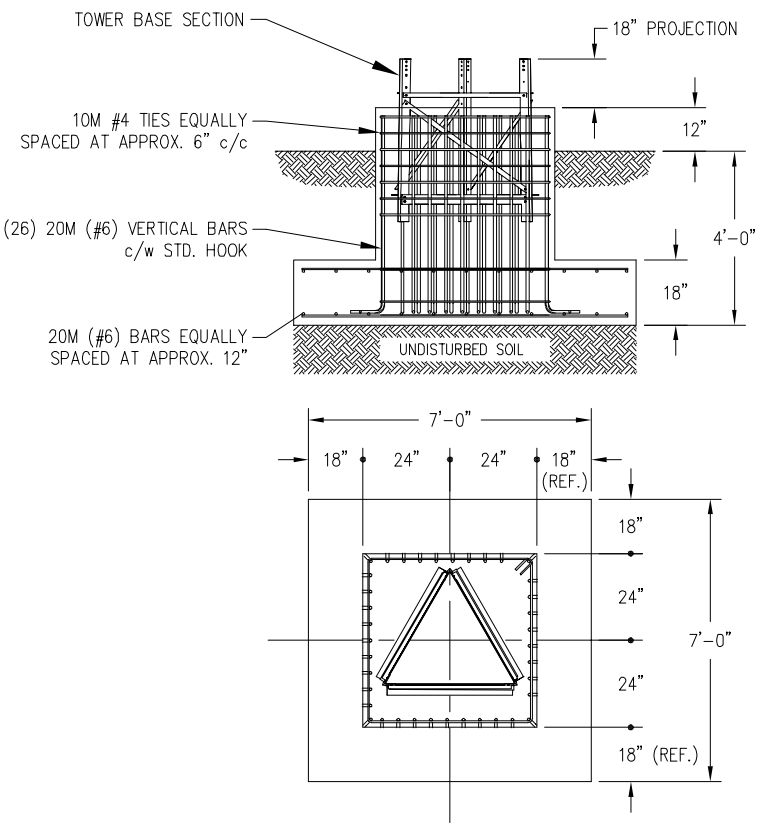
20FT S300 SUPERTITAN TOWER



C A N N A D A	MAXIMUM ALLOWABLE ANTENNA AREA - PER CSA-S37-01								
	ROUND ANTENNA MEMBER / FLAT ANTENNA MEMBER								
	CLASS 1 (10mm ICE)			CLASS 1 (25mm ICE)			CLASS 3 (25mm ICE)		
	350Pa	450Pa	550Pa	350Pa	450Pa	550Pa	350Pa	450Pa	550Pa
	107/76	82/58	65/46	109/76	82/58	65/46	140/93	105/70	74/56

FOUNDATION LOADS:
 MAX. OVERTURNING MOMENT (K*FT) =
 MAX. SHEAR (kips) =
 MAX. AXIAL (kips) =

FOUNDATION DESIGN (NORMAL DRY SOIL) DESIGN ASSUMES THAT FROST DEPTH IS LESS THAN 4'-0"



CUBIC YARDS OF CONCRETE		
PAD CONC VOL.	PIER CONC VOL.	TOTAL VOL.
2.7	2.1	4.8

- NOTES: 1) KNOCK-DOWN PART NUMBER 5.94.0300.020.
 2) PRE-ASSEMBLED PART NUMBER: 5.95.0300.020.
 3) ANTENNA LOADS ARE CENTRALLY LOCATED AND BALANCED, 3-FT OR LESS ABOVE THE TOWER TOP.
 4) WIND LOADING ASSUMES (1) 1/2" TRANSMISSION LINE PER 10 SQ.FT. OF ROUND MEMBER ANTENNA AREA.

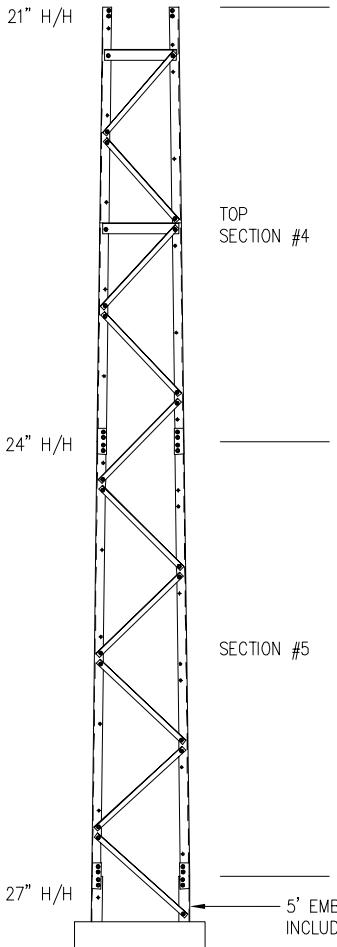
REV.	REV. BY:	CHK. BY:	DESCRIPTION	DATE

CONFIDENTIAL: ALL INTELLECTUAL PROPERTY RIGHTS HEREIN ARE THE PROPERTY OF TRYLON MANUFACTURING COMPANY LTD. ALL DUPLICATION, RECORDING, DISCLOSURE OR USE IS PROHIBITED WITHOUT WRITTEN CONSENT OF TRYLON MANUFACTURING COMPANY LTD.



CUSTOMER:	SITE:	SCALE: 35,000
DATE: 18 FEB 07	BY: MRH	CHK: APP:
TITLE: 20FT S300 SUPERTITAN TOWER	DRAWING NO. 000001.620.0275	

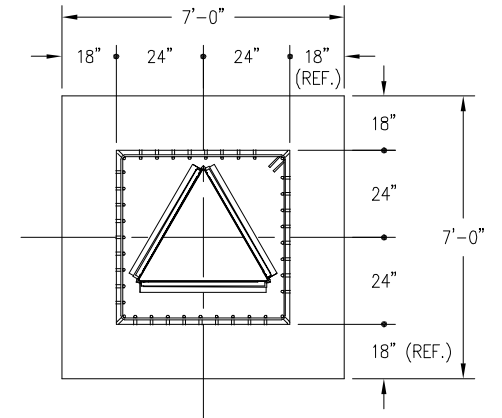
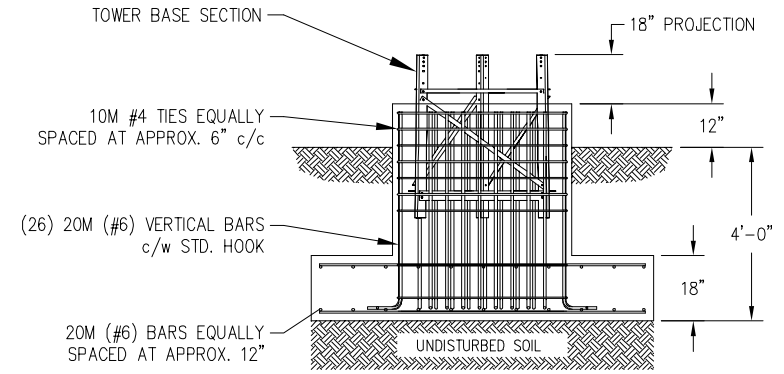
20FT S400 SUPERTITAN TOWER



C A N A D A	MAXIMUM ALLOWABLE ANTENNA AREA - PER CSA-S37-01									
	ROUND ANTENNA MEMBER / FLAT ANTENNA MEMBER									
	CLASS 1 (10mm ICE)			CLASS 1 (25mm ICE)			CLASS 3 (25mm ICE)			
	350Pa	450Pa	550Pa	350Pa	450Pa	550Pa	350Pa	450Pa	550Pa	
	121/86	93/66	73/52	121/86	93/66	77/52	156/104	120/80	96/64	

FOUNDATION LOADS:
 MAX. OVERTURNING MOMENT (K*FT) =
 MAX. SHEAR (kips) =
 MAX. AXIAL (kips) =

FOUNDATION DESIGN (NORMAL DRY SOIL)
 DESIGN ASSUMES THAT FROST DEPTH IS LESS THAN 4'-0"



CUBIC YARDS OF CONCRETE		
PAD CONC VOL.	PIER CONC VOL.	TOTAL VOL.
2.7	2.1	4.8

CONFIDENTIAL: ALL INTELLECTUAL PROPERTY RIGHTS HEREIN ARE THE PROPERTY OF TRYLON MANUFACTURING COMPANY LTD. ALL DUPLICATION, RECORDING, DISCLOSURE OR USE IS PROHIBITED WITHOUT WRITTEN CONSENT OF TRYLON MANUFACTURING COMPANY LTD.

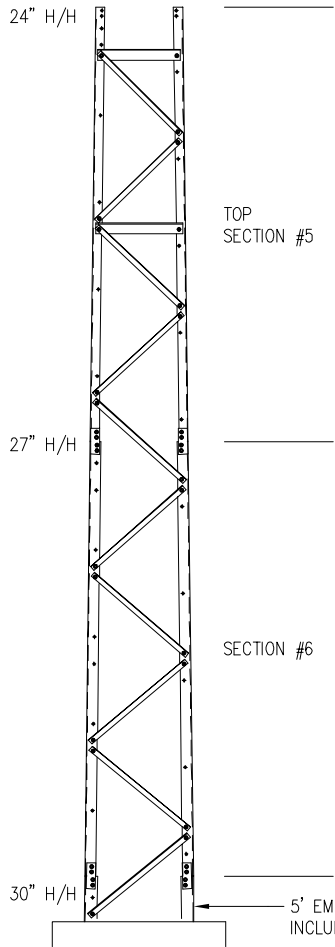


- NOTES: 1) KNOCK-DOWN PART NUMBER 5.94.0400.020.
 2) PRE-ASSEMBLED PART NUMBER: 5.95.0400.020.
 3) ANTENNA LOADS ARE CENTRALLY LOCATED AND BALANCED, 3-FT OR LESS ABOVE THE TOWER TOP.
 4) WIND LOADING ASSUMES (1) 1/2" TRANSMISSION LINE PER 10 SQ.FT. OF ROUND MEMBER ANTENNA AREA.

REV.	REV. BY:	CHK. BY:	DESCRIPTION	DATE

CUSTOMER:	SITE:	SCALE: 35,000
DATE: 18 FEB 07	BY: MRH	CHK: APP:
TITLE: 20FT S400 SUPERTITAN TOWER		DRAWING NO. 000001.620.0276

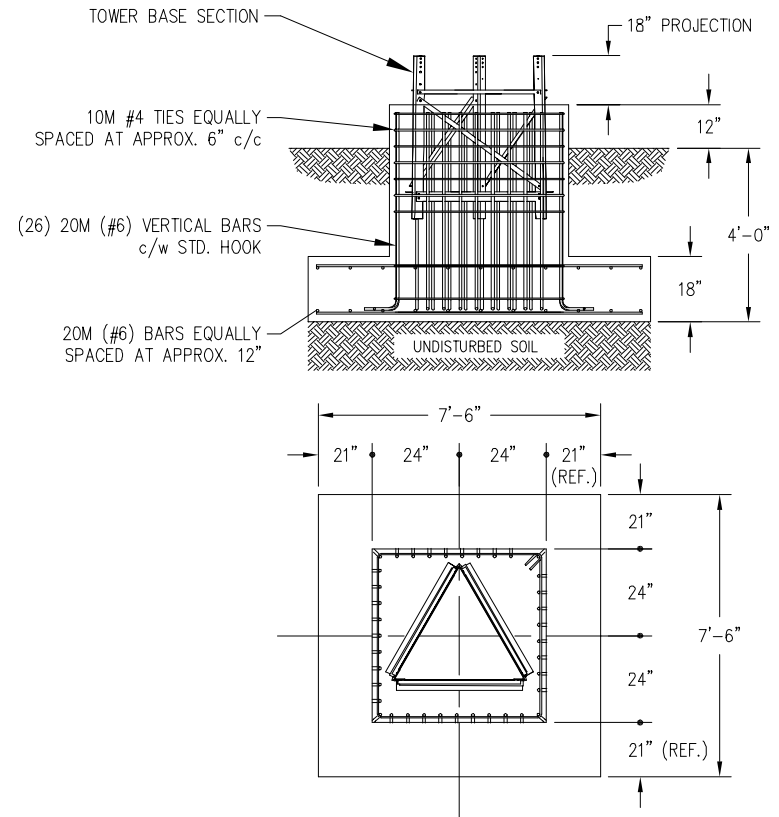
20FT S500 SUPERTITAN TOWER



C A N A D A	MAXIMUM ALLOWABLE ANTENNA AREA - PER CSA-S37-01								
	ROUND ANTENNA MEMBER / FLAT ANTENNA MEMBER								
	CLASS 1 (10mm ICE)			CLASS 1 (25mm ICE)			CLASS 3 (25mm ICE)		
	350Pa	450Pa	550Pa	350Pa	450Pa	550Pa	350Pa	450Pa	550Pa
	167/119	128/91	101/72	167/119	128/91	101/72	335/223	260/173	210/140

FOUNDATION LOADS:
 MAX. OVERTURNING MOMENT (K*FT) =
 MAX. SHEAR (kips) =
 MAX. AXIAL (kips) =

FOUNDATION DESIGN (NORMAL DRY SOIL)
 DESIGN ASSUMES THAT FROST DEPTH IS LESS THAN 4'-0"



CUBIC YARDS OF CONCRETE		
PAD CONC VOL.	PIER CONC VOL.	TOTAL VOL.
3.1	2.1	5.2

- NOTES: 1) KNOCK-DOWN PART NUMBER 5.94.0500.020.
 2) PRE-ASSEMBLED PART NUMBER: 5.95.0500.020.
 3) ANTENNA LOADS ARE CENTRALLY LOCATED AND BALANCED, 3-FT OR LESS ABOVE THE TOWER TOP.
 4) WIND LOADING ASSUMES (1) 1/2" TRANSMISSION LINE PER 10 SQ.FT. OF ROUND MEMBER ANTENNA AREA.

REV.	REV. BY:	CHK. BY:	DESCRIPTION	DATE

CONFIDENTIAL: ALL INTELLECTUAL PROPERTY RIGHTS HEREIN ARE THE PROPERTY OF TRYLON MANUFACTURING COMPANY LTD. ALL DUPLICATION, RECORDING, DISCLOSURE OR USE IS PROHIBITED WITHOUT WRITTEN CONSENT OF TRYLON MANUFACTURING COMPANY LTD.



CUSTOMER:	SITE:	SCALE: 35,000
DATE: 18 FEB 07	BY: MRH	CHK: APP:
TITLE: 20FT S500 SUPERTITAN TOWER	DRAWING NO. 000001.620.0277	