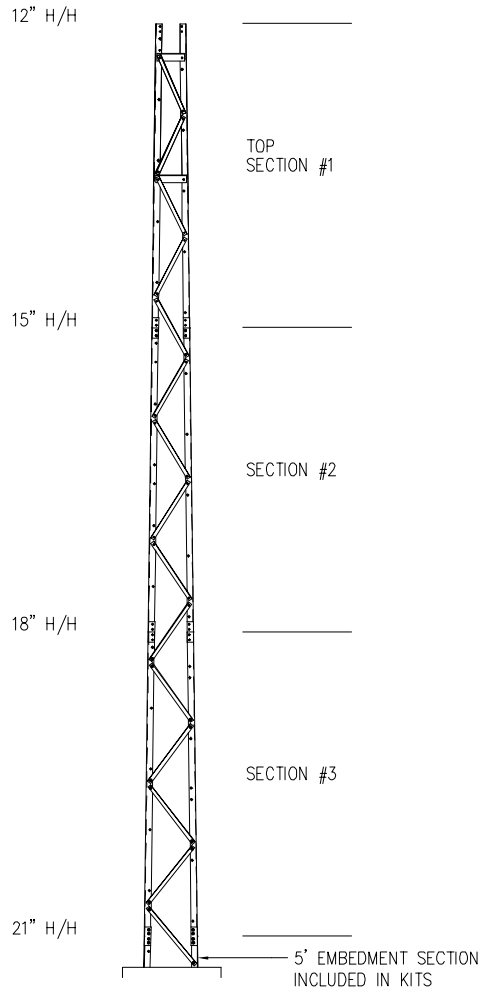
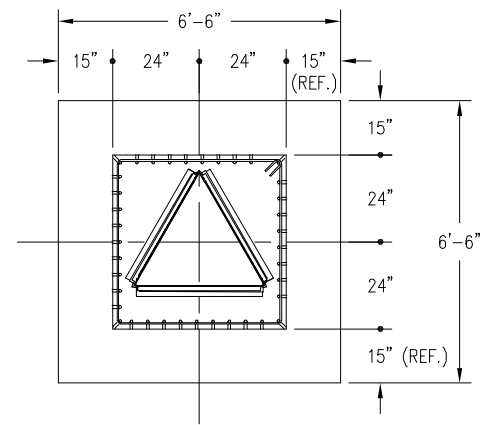
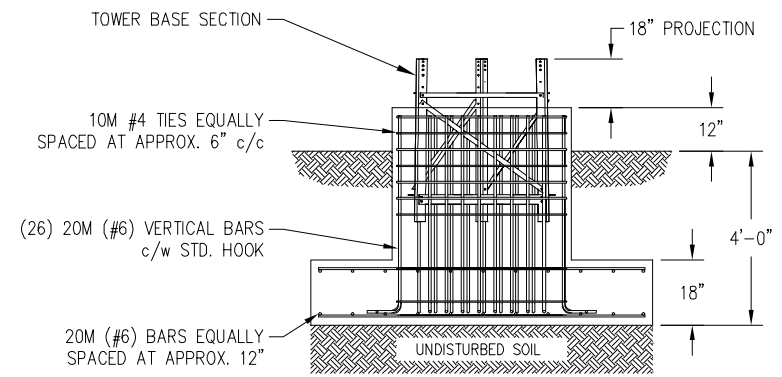


30FT S100 SUPERTITAN TOWER



FOUNDATION DESIGN (NORMAL DRY SOIL)

DESIGN ASSUMES THAT FROST DEPTH IS LESS THAN 4'-0"



MAXIMUM ALLOWABLE ANTENNA AREA - PER CSA-S37-1									
ROUND ANTENNA MEMBER / FLAT ANTENNA MEMBER									
C A N N A D A	CLASS 1 (10mm ICE)			CLASS 1 (25mm ICE)			CLASS 3 (25mm ICE)		
	350Pa	450Pa	550Pa	350Pa	450Pa	550Pa	350Pa	450Pa	550Pa
	44/31	30/21	22/15	40/28	29/20	20/14	63/42	46/31	35/23

FOUNDATION LOADS:
 MAX. OVERTURNING MOMENT (K*FT) =
 MAX. SHEAR (kips) =
 MAX. AXIAL (kips) =

CUBIC YARDS OF CONCRETE		
PAD CONC VOL.	PIER CONC VOL.	TOTAL VOL.
2.4	2.1	4.5

- NOTES: 1) KNOCK-DOWN PART NUMBER 5.94.0100.030.
 2) PRE-ASSEMBLED PART NUMBER: 5.95.0100.030.
 3) ANTENNA LOADS ARE CENTRALLY LOCATED AND BALANCED, 3-FT OR LESS ABOVE THE TOWER TOP.
 4) WIND LOADING ASSUMES (1) 1/2" TRANSMISSION LINE PER 10 SQ.FT. OF ROUND MEMBER ANTENNA AREA.

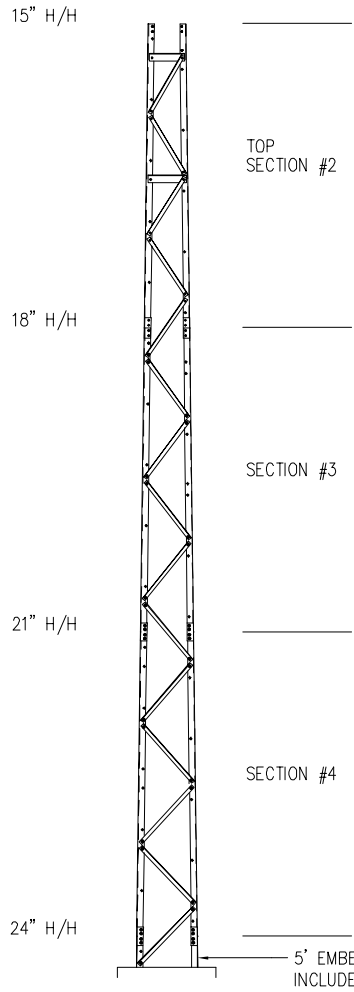
REV.	REV. BY:	CHK. BY:	DESCRIPTION	DATE

CONFIDENTIAL: ALL INTELLECTUAL PROPERTY RIGHTS HEREIN ARE THE PROPERTY OF TRYLON MANUFACTURING COMPANY LTD. ALL DUPLICATION, RECORDING, DISCLOSURE OR USE IS PROHIBITED WITHOUT WRITTEN CONSENT OF TRYLON MANUFACTURING COMPANY LTD.



CUSTOMER:	SITE:	SCALE: 50,000
DATE: 15 FEB 07	BY: EP	CHK: APP:
TITLE: 30' S100 SUPERTITAN TOWER	DRAWING NO. 000001.620.0278	

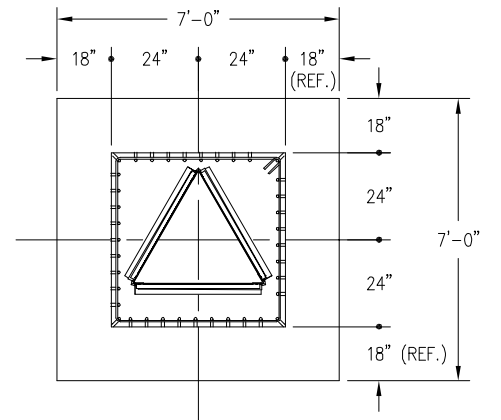
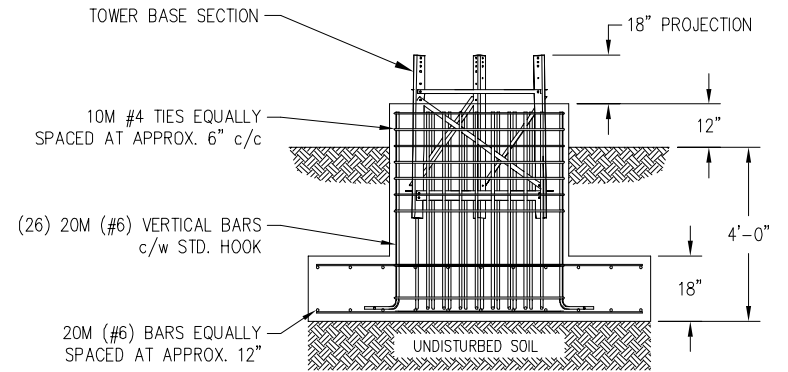
30FT S200 SUPERTITAN TOWER



MAXIMUM ALLOWABLE ANTENNA AREA - PER CSA-S37-1									
ROUND ANTENNA MEMBER / FLAT ANTENNA MEMBER									
C A N N A D A	CLASS 1 (10mm ICE)			CLASS 1 (25mm ICE)			CLASS 3 (25mm ICE)		
	350Pa	450Pa	550Pa	350Pa	450Pa	550Pa	350Pa	450Pa	550Pa
	52/37	37/26	26/18	50/35	37/26	26/18	75/50	54/36	41/27

FOUNDATION LOADS:
 MAX. OVERTURNING MOMENT (K*FT) =
 MAX. SHEAR (kips) =
 MAX. AXIAL (kips) =

FOUNDATION DESIGN (NORMAL DRY SOIL)
 DESIGN ASSUMES THAT FROST DEPTH IS LESS THAN 4'-0"



CUBIC YARDS OF CONCRETE		
PAD CONC VOL.	PIER CONC VOL.	TOTAL VOL.
2.7	2.1	4.8

- NOTES: 1) KNOCK-DOWN PART NUMBER 5.94.0200.030.
 2) PRE-ASSEMBLED PART NUMBER: 5.95.0200.030.
 3) ANTENNA LOADS ARE CENTRALLY LOCATED AND BALANCED, 3-FT OR LESS ABOVE THE TOWER TOP.
 4) WIND LOADING ASSUMES (1) 1/2" TRANSMISSION LINE PER 10 SQ.FT. OF ROUND MEMBER ANTENNA AREA.

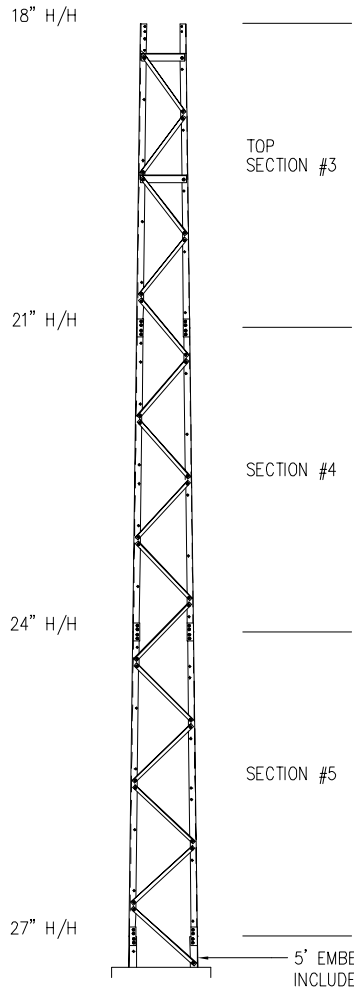
REV.	REV. BY:	CHK. BY:	DESCRIPTION	DATE

CONFIDENTIAL: ALL INTELLECTUAL PROPERTY RIGHTS HEREIN ARE THE PROPERTY OF TRYLON MANUFACTURING COMPANY LTD. ALL DUPLICATION, RECORDING, DISCLOSURE OR USE IS PROHIBITED WITHOUT WRITTEN CONSENT OF TRYLON MANUFACTURING COMPANY LTD.



CUSTOMER:	SITE:	SCALE: 50,000
DATE: 02 FEB 07	BY: EP	CHK: APP:
TITLE: 30' S200 SUPERTITAN TOWER	DRAWING NO. 000001.620.0279	

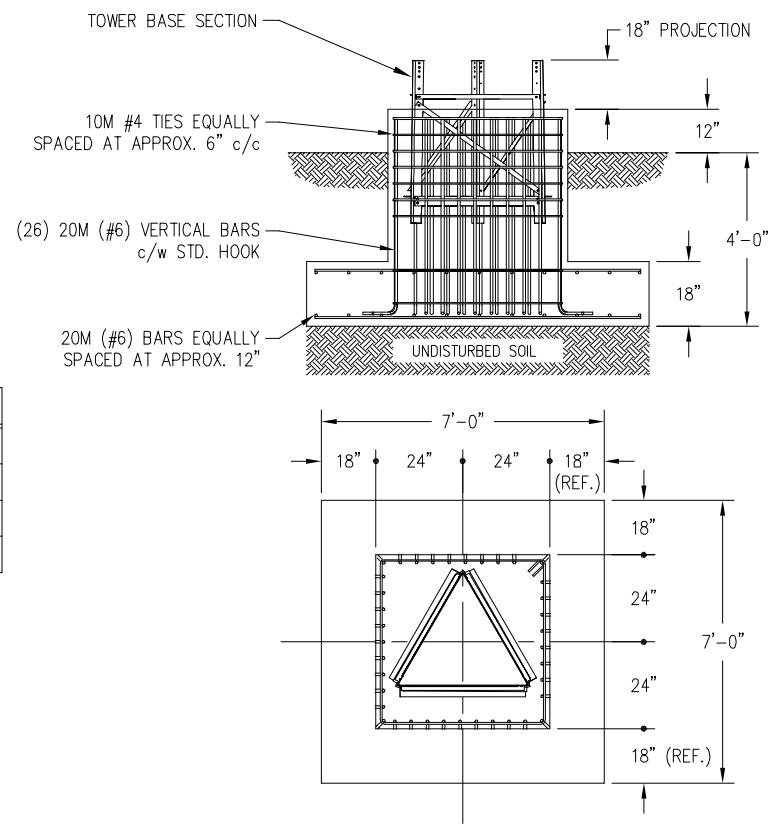
30FT S300 SUPERTITAN TOWER



MAXIMUM ALLOWABLE ANTENNA AREA - PER CSA-S37-1									
ROUND ANTENNA MEMBER / FLAT ANTENNA MEMBER									
C A N N A D A	CLASS 1 (10mm ICE)			CLASS 1 (25mm ICE)			CLASS 3 (25mm ICE)		
	350Pa	450Pa	550Pa	350Pa	450Pa	550Pa	350Pa	450Pa	550Pa
	59/42	41/29	31/22	59/42	41/29	31/22	85/57	62/41	48/32

FOUNDATION LOADS:
 MAX. OVERTURNING MOMENT (K*FT) =
 MAX. SHEAR (kips) =
 MAX. AXIAL (kips) =

FOUNDATION DESIGN (NORMAL DRY SOIL)
 DESIGN ASSUMES THAT FROST DEPTH IS LESS THAN 4'-0"



CUBIC YARDS OF CONCRETE		
PAD CONC VOL.	PIER CONC VOL.	TOTAL VOL.
2.7	2.1	4.8

- NOTES: 1) KNOCK-DOWN PART NUMBER 5.94.0300.030.
 2) PRE-ASSEMBLED PART NUMBER: 5.95.0300.030.
 3) ANTENNA LOADS ARE CENTRALLY LOCATED AND BALANCED, 3-FT OR LESS ABOVE THE TOWER TOP.
 4) WIND LOADING ASSUMES (1) 1/2" TRANSMISSION LINE PER 10 SQ.FT. OF ROUND MEMBER ANTENNA AREA.

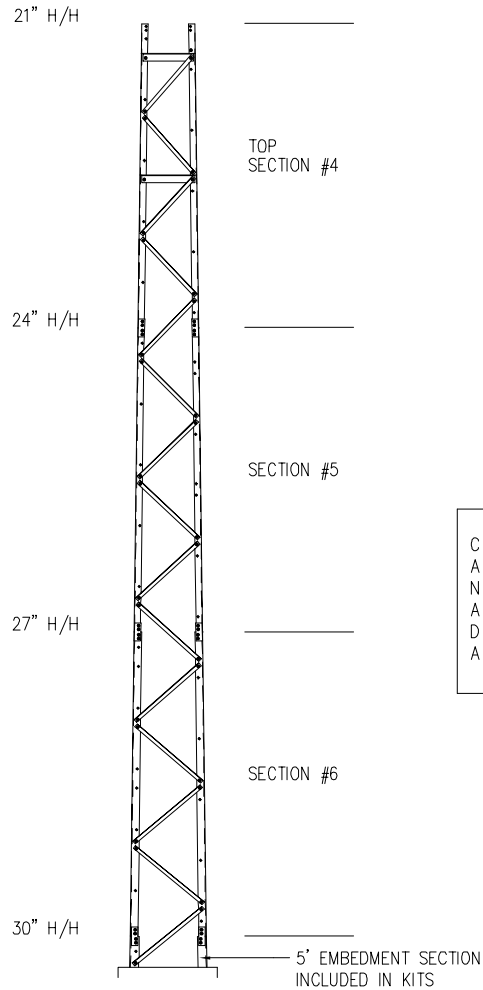
REV.	REV. BY:	CHK. BY:	DESCRIPTION	DATE

CONFIDENTIAL: ALL INTELLECTUAL PROPERTY RIGHTS HEREIN ARE THE PROPERTY OF TRYLON MANUFACTURING COMPANY LTD. ALL DUPLICATION, RECORDING, DISCLOSURE OR USE IS PROHIBITED WITHOUT WRITTEN CONSENT OF TRYLON MANUFACTURING COMPANY LTD.



CUSTOMER:	SITE:	SCALE: 50,000
DATE: 02 FEB 07	BY: EP	CHK: APP:
TITLE: 30' S300 SUPERTITAN TOWER		DRAWING NO. 000001.620.0280

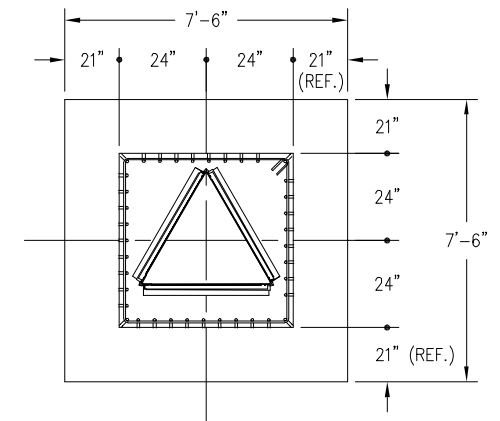
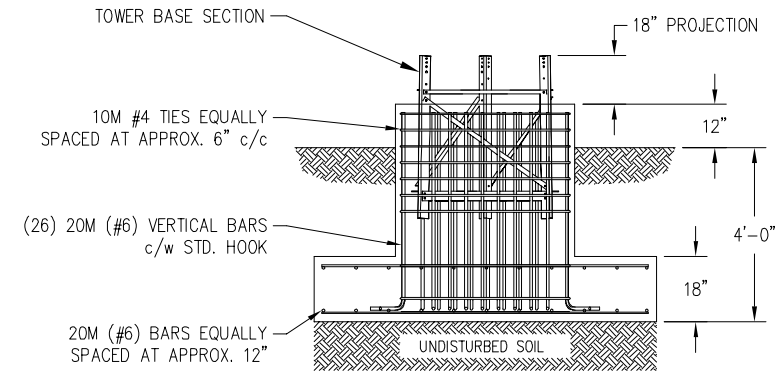
30FT S400 SUPERTITAN TOWER



MAXIMUM ALLOWABLE ANTENNA AREA - PER CSA-S37-1									
C A N N A D A	ROUND ANTENNA MEMBER / FLAT ANTENNA MEMBER								
	CLASS 1 (10mm ICE)			CLASS 1 (25mm ICE)			CLASS 3 (25mm ICE)		
	350Pa	450Pa	550Pa	350Pa	450Pa	550Pa	350Pa	450Pa	550Pa
	111/79	85/60	67/47	111/79	85/60	67/47	145/97	111/74	88/59

FOUNDATION LOADS:
 MAX. OVERTURNING MOMENT (K*FT) =
 MAX. SHEAR (kips) =
 MAX. AXIAL (kips) =

FOUNDATION DESIGN (NORMAL DRY SOIL) DESIGN ASSUMES THAT FROST DEPTH IS LESS THAN 4'-0"



CUBIC YARDS OF CONCRETE		
PAD CONC VOL.	PIER CONC VOL.	TOTAL VOL.
3.1	2.1	5.2

- NOTES:
- 1) KNOCK-DOWN PART NUMBER 5.94.0400.030.
 - 2) PRE-ASSEMBLED PART NUMBER: 5.95.0400.030.
 - 3) ANTENNA LOADS ARE CENTRALLY LOCATED AND BALANCED, 3-FT OR LESS ABOVE THE TOWER TOP.
 - 4) WIND LOADING ASSUMES (1) 1/2" TRANSMISSION LINE PER 10 SQ.FT. OF ROUND MEMBER ANTENNA AREA.

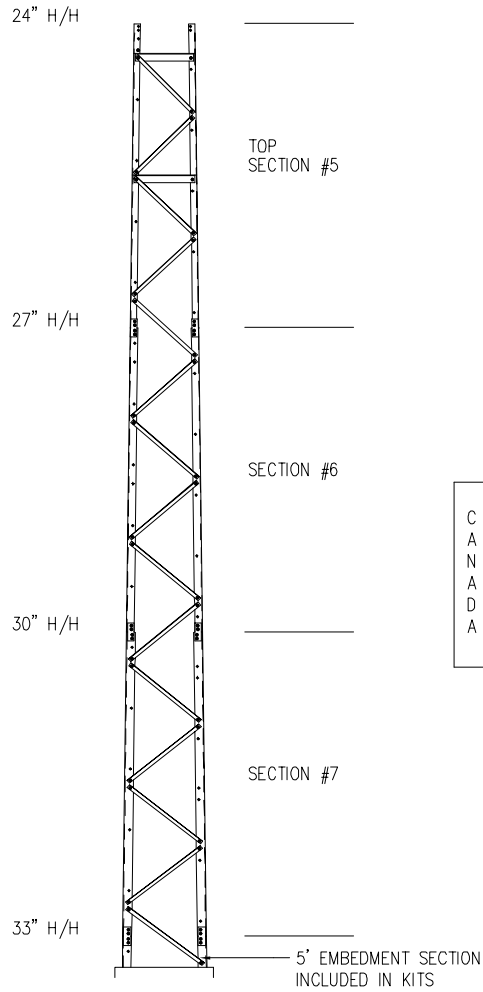
REV.	REV. BY:	CHK. BY:	DESCRIPTION	DATE

CONFIDENTIAL: ALL INTELLECTUAL PROPERTY RIGHTS HEREIN ARE THE PROPERTY OF TRYLON MANUFACTURING COMPANY LTD. ALL DUPLICATION, RECORDING, DISCLOSURE OR USE IS PROHIBITED WITHOUT WRITTEN CONSENT OF TRYLON MANUFACTURING COMPANY LTD.



CUSTOMER:	SITE:	SCALE: 50,000
DATE: 18 FEB 07	BY: EP	CHK: APP:
TITLE: 30' S400 SUPERTITAN TOWER		DRAWING NO. 000001.620.0281

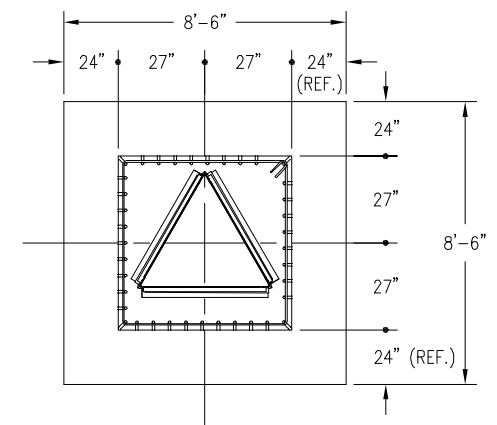
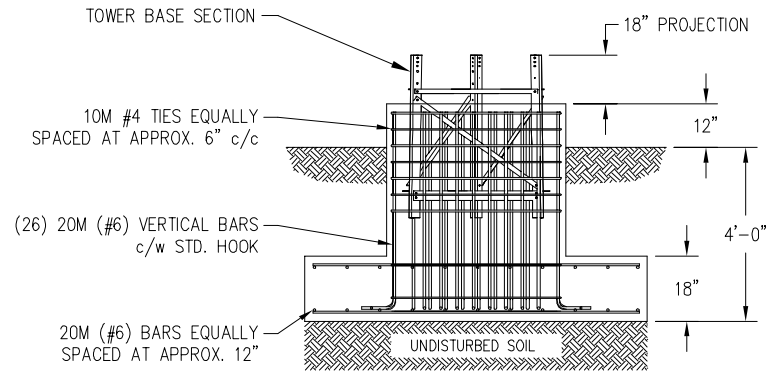
30FT S500 SUPERTITAN TOWER



C A N N A D A	MAXIMUM ALLOWABLE ANTENNA AREA - PER CSA-S37-1								
	ROUND ANTENNA MEMBER / FLAT ANTENNA MEMBER								
	CLASS 1 (10mm ICE)			CLASS 1 (25mm ICE)			CLASS 3 (25mm ICE)		
	350Pa	450Pa	550Pa	350Pa	450Pa	550Pa	350Pa	450Pa	550Pa
	150/107	111/79	87/62	150/107	111/79	87/62	250/167	192/128	150/100

FOUNDATION LOADS:
 MAX. OVERTURNING MOMENT (K*FT) =
 MAX. SHEAR (kips) =
 MAX. AXIAL (kips) =

FOUNDATION DESIGN (NORMAL DRY SOIL) DESIGN ASSUMES THAT FROST DEPTH IS LESS THAN 4'-0"



CUBIC YARDS OF CONCRETE		
PAD CONC VOL.	PIER CONC VOL.	TOTAL VOL.
4.0	2.6	6.6

- NOTES: 1) KNOCK-DOWN PART NUMBER 5.94.0500.030.
 2) PRE-ASSEMBLED PART NUMBER: 5.95.0500.030.
 3) ANTENNA LOADS ARE CENTRALLY LOCATED AND BALANCED, 3-FT OR LESS ABOVE THE TOWER TOP.
 4) WIND LOADING ASSUMES (1) 1/2" TRANSMISSION LINE PER 10 SQ.FT. OF ROUND MEMBER ANTENNA AREA.

REV.	REV. BY:	CHK. BY:	DESCRIPTION	DATE

CONFIDENTIAL: ALL INTELLECTUAL PROPERTY RIGHTS HEREIN ARE THE PROPERTY OF TRYLON MANUFACTURING COMPANY LTD. ALL DUPLICATION, RECORDING, DISCLOSURE OR USE IS PROHIBITED WITHOUT WRITTEN CONSENT OF TRYLON MANUFACTURING COMPANY LTD.



CUSTOMER:	SITE:	SCALE: 50,000
DATE: 18 FEB 07	BY: EP	CHK: APP:
TITLE: 30' S500 SUPERTITAN TOWER	DRAWING NO. 000001.620.0282	