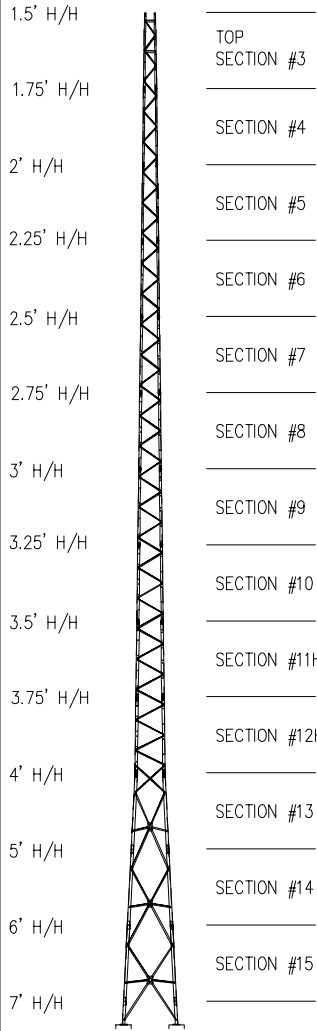


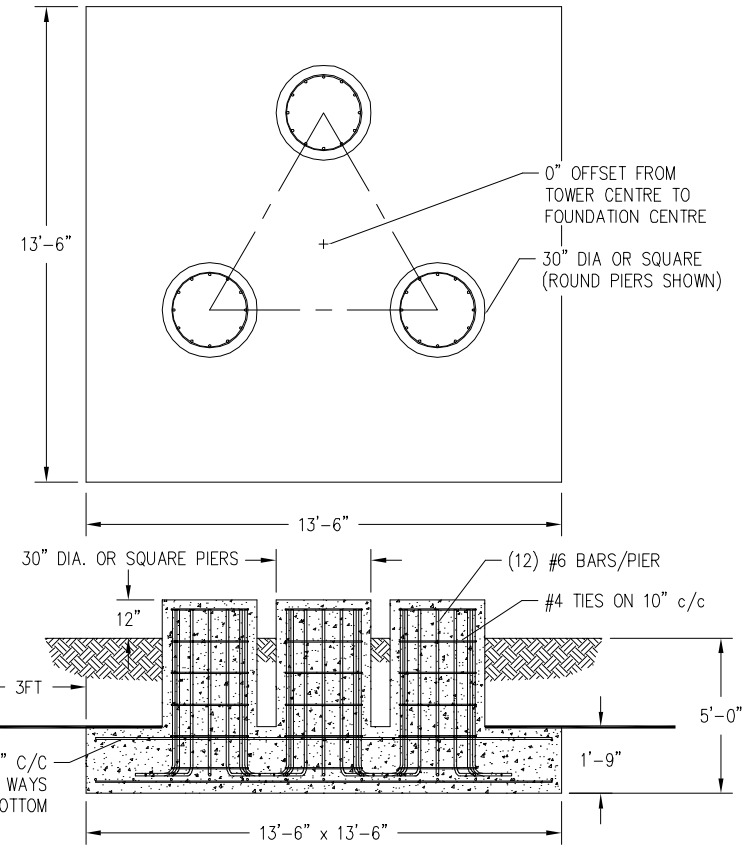
130FT S300 SUPERTITAN TOWER



MAXIMUM ALLOWABLE ANTENNA AREA - PER CSA-S37-01									
C A N N A D A	ROUND ANTENNA MEMBER / FLAT ANTENNA MEMBER								
	CLASS 1 (10mm ICE)			CLASS 1 (25mm ICE)			CLASS 3 (25mm ICE)		
	350Pa	450Pa	550Pa	350Pa	450Pa	550Pa	350Pa	450Pa	550Pa
	16/11	1/-	-/-	16/11	1/-	-/-	40/27	19/13	3/2

FOUNDATION LOADS:
 MAX. OVERTURNING MOMENT (K*FT) =
 MAX. SHEAR (kips) =
 MAX. AXIAL (kips) =

FOUNDATION DESIGN (NORMAL DRY SOIL)



INSULATING STYROFOAM REQUIRED WHERE FROST PENETRATION EXCEEDS 6 FEET. PLACE STYROFOAM ON SLAB AND EXTEND 3 FEET BEYOND EDGE. HIGHLOAD 40 INSULATION BY DOW CHEMICALS IS RECOMMENDED.

CUBIC YARDS of CONCRETE				
PAD	RND PIER	SQ PIER	TOTAL RND	TOTAL SQ
11.81	0.77	0.98	14.13	14.76

- NOTES: 1) KNOCK-DOWN PART NUMBER 5.94.S300.130.
 2) PRE-ASSEMBLED PART NUMBER: NOT AVAILABLE.
 3) ANTENNA LOADS ARE CENTRALLY LOCATED AND BALANCED, 3-FT OR LESS ABOVE THE TOWER TOP.
 4) WIND LOADING ASSUMES (1) 1/2" TRANSMISSION LINE PER 10 SQ.FT. OF ROUND MEMBER ANTENNA AREA.

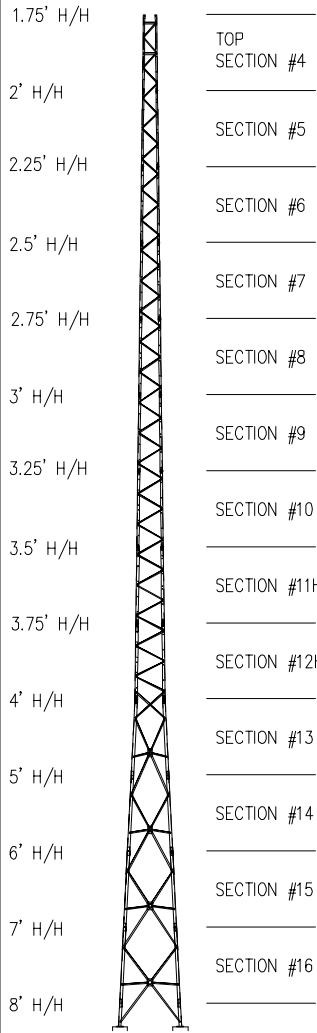
REV.	REV. BY:	CHK. BY:	DESCRIPTION	DATE

CONFIDENTIAL: ALL INTELLECTUAL PROPERTY RIGHTS HEREIN ARE THE PROPERTY OF TRYLON MANUFACTURING COMPANY LTD. ALL DUPLICATION, RECORDING, DISCLOSURE OR USE IS PROHIBITED WITHOUT WRITTEN CONSENT OF TRYLON MANUFACTURING COMPANY LTD.



CUSTOMER:		SITE:	SCALE: 200,000	
DATE: 19 FEB 07	BY: EP	CHK:	APP:	
TITLE: 130FT S300 SUPERTITAN TOWER			DRAWING NO. 000001.620.0372	

130FT S400 SUPERTITAN TOWER

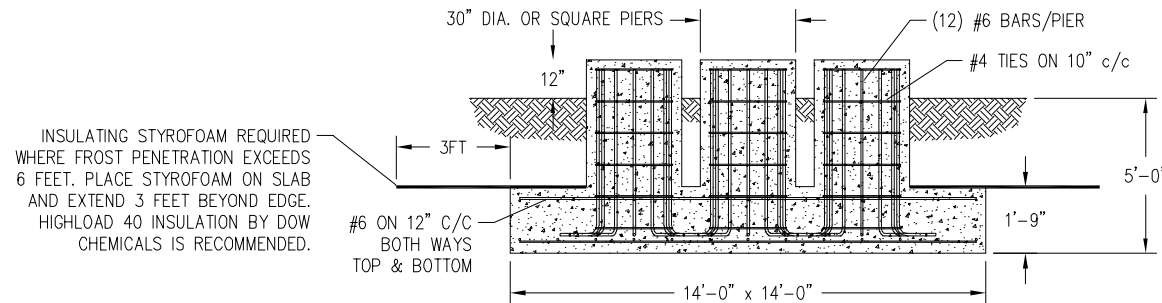
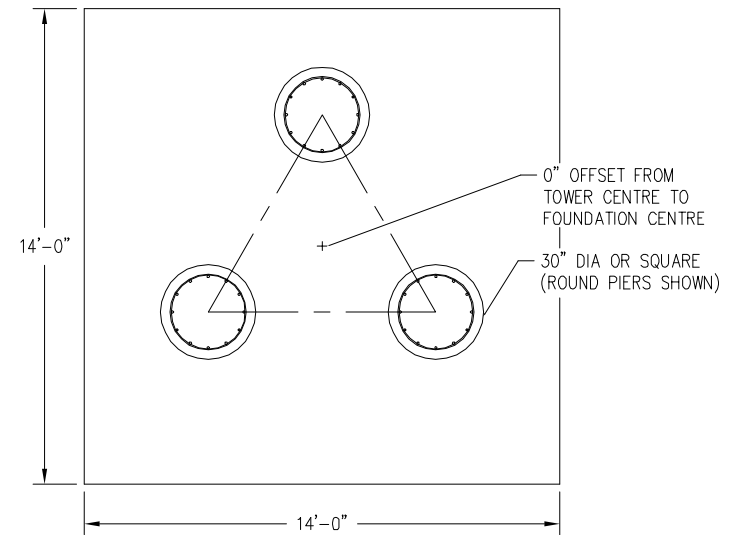


- TOP
- SECTION #4
- SECTION #5
- SECTION #6
- SECTION #7
- SECTION #8
- SECTION #9
- SECTION #10
- SECTION #11HD
- SECTION #12HD
- SECTION #13
- SECTION #14
- SECTION #15
- SECTION #16

MAXIMUM ALLOWABLE ANTENNA AREA - PER CSA-S37-01									
C A N N A D A	ROUND ANTENNA MEMBER / FLAT ANTENNA MEMBER								
	CLASS 1 (10mm ICE)			CLASS 1 (25mm ICE)			CLASS 3 (25mm ICE)		
	350Pa	450Pa	550Pa	350Pa	450Pa	550Pa	350Pa	450Pa	550Pa
	30/21	10/7	-/-	30/21	10/7	-/-	58/39	32/21	17/11

FOUNDATION LOADS:
 MAX. OVERTURNING MOMENT (K*FT) =
 MAX. SHEAR (kips) =
 MAX. AXIAL (kips) =

FOUNDATION DESIGN (NORMAL DRY SOIL)



INSULATING STYROFOAM REQUIRED WHERE FROST PENETRATION EXCEEDS 6 FEET. PLACE STYROFOAM ON SLAB AND EXTEND 3 FEET BEYOND EDGE. HIGHLOAD 40 INSULATION BY DOW CHEMICALS IS RECOMMENDED.

CUBIC YARDS of CONCRETE				
PAD	RND PIER	SQ PIER	TOTAL RND	TOTAL SQ
12.70	0.77	0.98	15.02	15.66

- NOTES:
- 1) KNOCK-DOWN PART NUMBER 5.94.S400.130.
 - 2) PRE-ASSEMBLED PART NUMBER: NOT AVAILABLE.
 - 3) ANTENNA LOADS ARE CENTRALLY LOCATED AND BALANCED, 3-FT OR LESS ABOVE THE TOWER TOP.
 - 4) WIND LOADING ASSUMES (1) 1/2" TRANSMISSION LINE PER 10 SQ.FT. OF ROUND MEMBER ANTENNA AREA.

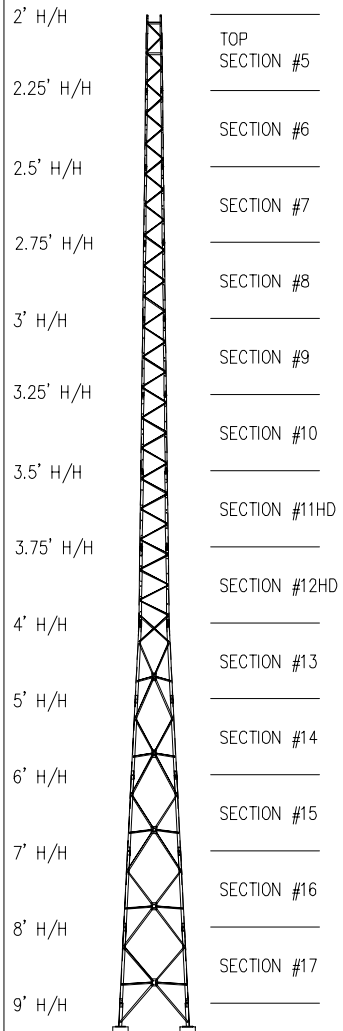
REV.	REV. BY:	CHK. BY:	DESCRIPTION	DATE

CONFIDENTIAL: ALL INTELLECTUAL PROPERTY RIGHTS HEREIN ARE THE PROPERTY OF TRYLON MANUFACTURING COMPANY LTD. ALL DUPLICATION, RECORDING, DISCLOSURE OR USE IS PROHIBITED WITHOUT WRITTEN CONSENT OF TRYLON MANUFACTURING COMPANY LTD.



CUSTOMER:	SITE:	SCALE:
DATE: 19 FEB 07	BY: EP	APP:
TITLE: 130FT S400 SUPERTITAN TOWER		DRAWING NO. 000001.620.0373

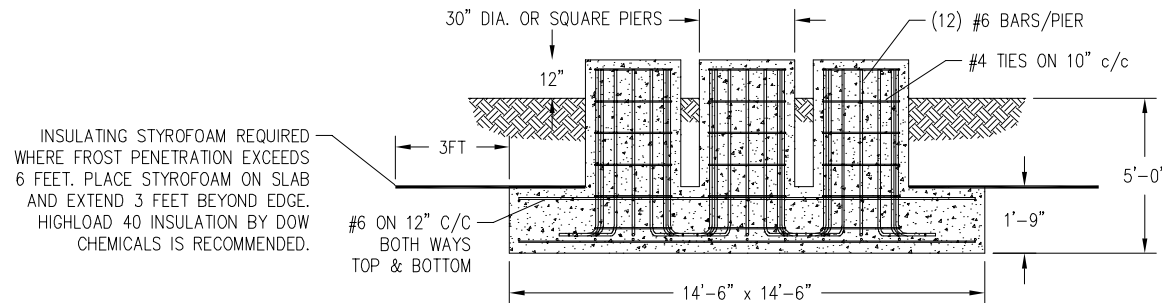
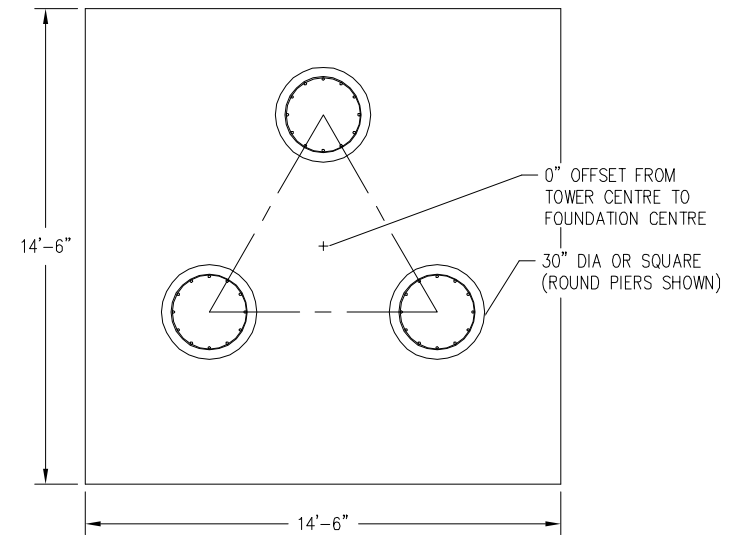
130FT S500 SUPERTITAN TOWER



MAXIMUM ALLOWABLE ANTENNA AREA - PER CSA-S37-01									
C A N N A D A	ROUND ANTENNA MEMBER / FLAT ANTENNA MEMBER								
	CLASS 1 (10mm ICE)			CLASS 1 (25mm ICE)			CLASS 3 (25mm ICE)		
	350Pa	450Pa	550Pa	350Pa	450Pa	550Pa	350Pa	450Pa	550Pa
	46/32	15/10	-/-	40/28	15/10	-/-	81/54	52/35	24/16

FOUNDATION LOADS:
 MAX. OVERTURNING MOMENT (K*FT) =
 MAX. SHEAR (kips) =
 MAX. AXIAL (kips) =

FOUNDATION DESIGN (NORMAL DRY SOIL)



CUBIC YARDS of CONCRETE				
PAD	RND PIER	SQ PIER	TOTAL RND	TOTAL SQ
13.63	0.77	0.98	15.95	16.58

- NOTES: 1) KNOCK-DOWN PART NUMBER 5.94.S500.130.
 2) PRE-ASSEMBLED PART NUMBER: NOT AVAILABLE.
 3) ANTENNA LOADS ARE CENTRALLY LOCATED AND BALANCED, 3-FT OR LESS ABOVE THE TOWER TOP.
 4) WIND LOADING ASSUMES (1) 1/2" TRANSMISSION LINE PER 10 SQ.FT. OF ROUND MEMBER ANTENNA AREA.

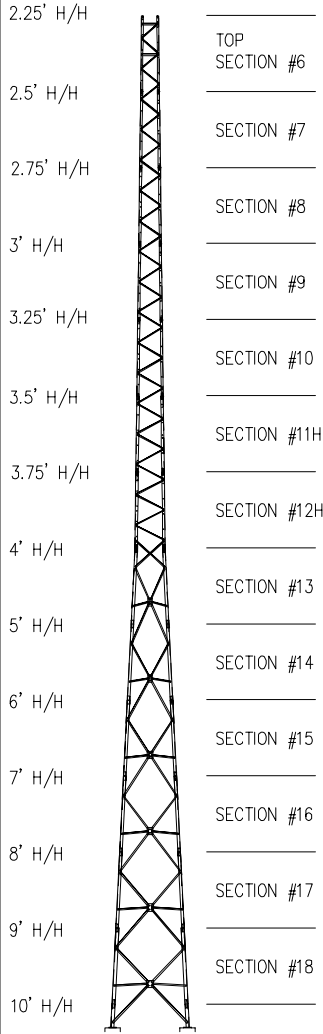
REV.	REV. BY:	CHK. BY:	DESCRIPTION	DATE

CONFIDENTIAL: ALL INTELLECTUAL PROPERTY RIGHTS HEREIN ARE THE PROPERTY OF TRYLON MANUFACTURING COMPANY LTD. ALL DUPLICATION, RECORDING, DISCLOSURE OR USE IS PROHIBITED WITHOUT WRITTEN CONSENT OF TRYLON MANUFACTURING COMPANY LTD.



CUSTOMER:	SITE:	SCALE: 200,000
DATE: 19 FEB 07	BY: EP	CHK: APP:
TITLE: 130FT S500 SUPERTITAN TOWER	DRAWING NO. 000001.620.0374	

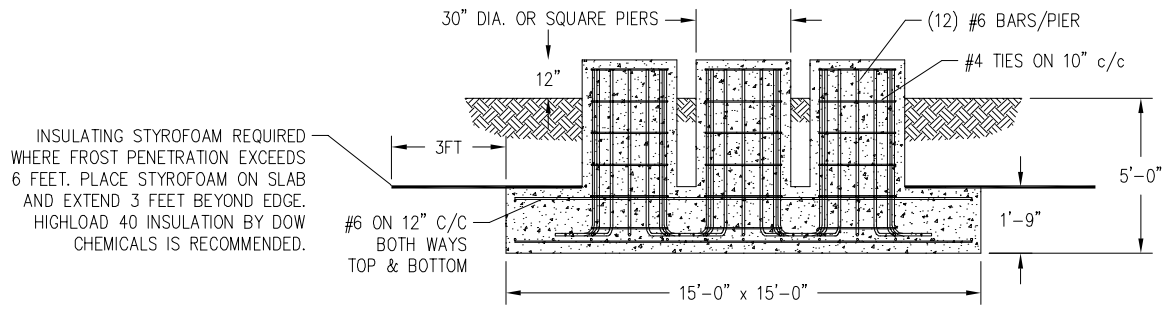
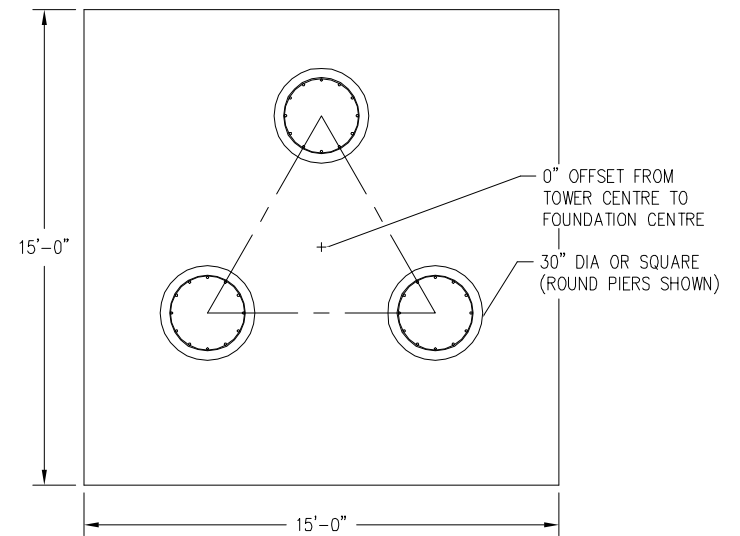
130FT S600 SUPERTITAN TOWER



C A N D A	MAXIMUM ALLOWABLE ANTENNA AREA – PER CSA-S37-01								
	ROUND ANTENNA MEMBER / FLAT ANTENNA MEMBER								
	CLASS 1 (10mm ICE)			CLASS 1 (25mm ICE)			CLASS 3 (25mm ICE)		
	350Pa	450Pa	550Pa	350Pa	450Pa	550Pa	350Pa	450Pa	550Pa
	60/42	28/20	5/3	50/35	28/20	5/3	115/77	66/44	36/24

FOUNDATION LOADS:
 MAX. OVERTURNING MOMENT (K*FT) =
 MAX. SHEAR (kips) =
 MAX. AXIAL (kips) =

FOUNDATION DESIGN (NORMAL DRY SOIL)



CUBIC YARDS of CONCRETE				
PAD	RND PIER	SQ PIER	TOTAL RND	TOTAL SQ
14.58	0.77	0.98	16.90	17.53

- NOTES: 1) KNOCK-DOWN PART NUMBER 5.94.S600.130.
 2) PRE-ASSEMBLED PART NUMBER: NOT AVAILABLE.
 3) ANTENNA LOADS ARE CENTRALLY LOCATED AND BALANCED, 3-FT OR LESS ABOVE THE TOWER TOP.
 4) WIND LOADING ASSUMES (1) 1/2" TRANSMISSION LINE PER 10 SQ.FT. OF ROUND MEMBER ANTENNA AREA.

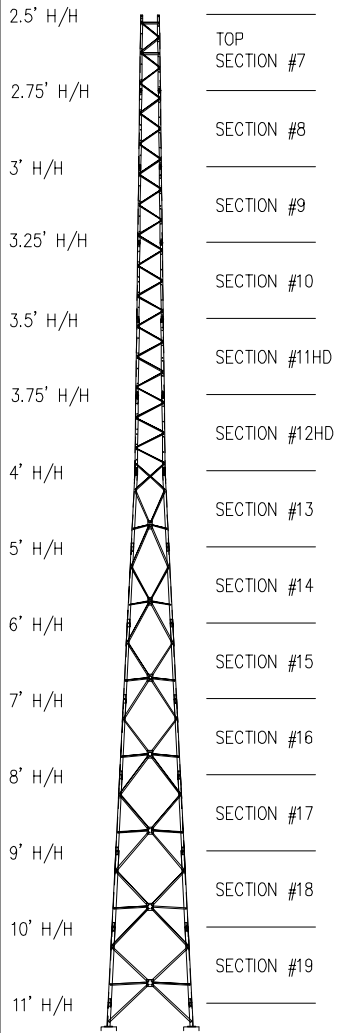
CONFIDENTIAL: ALL INTELLECTUAL PROPERTY RIGHTS HEREIN ARE THE PROPERTY OF TRYLON MANUFACTURING COMPANY LTD. ALL DUPLICATION, RECORDING, DISCLOSURE OR USE IS PROHIBITED WITHOUT WRITTEN CONSENT OF TRYLON MANUFACTURING COMPANY LTD.



CUSTOMER:	SITE:	SCALE:
DATE: 19 FEB 07	BY: EP	CHK: APP:
TITLE: 130FT S600 SUPERTITAN TOWER	DRAWING NO. 000001.620.0375	

REV.	REV. BY:	CHK. BY:	DESCRIPTION	DATE

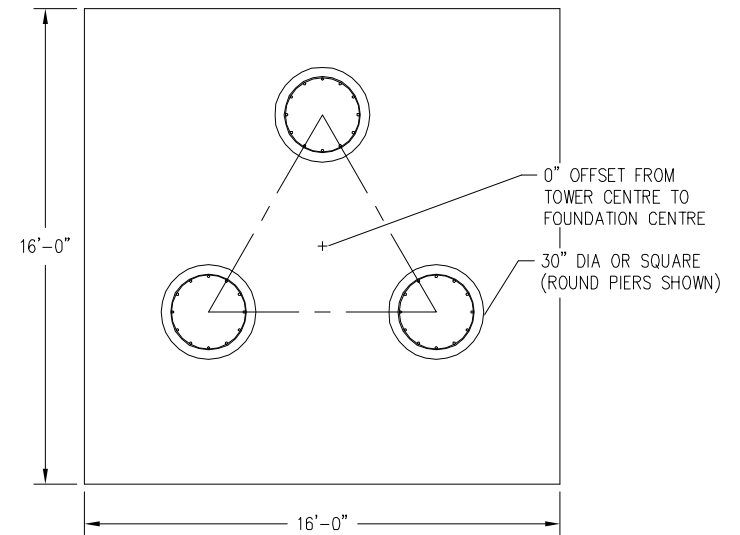
130FT S700 SUPERTITAN TOWER



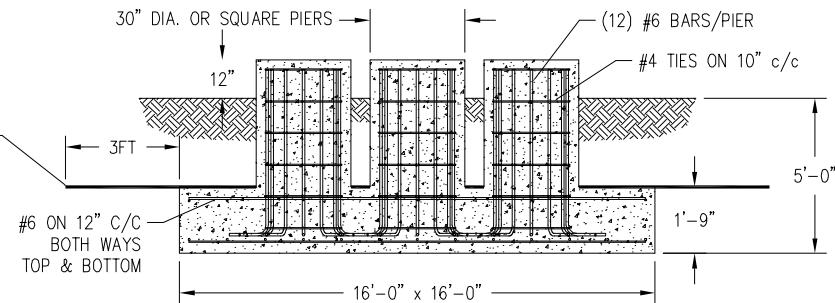
C A N N A D A	MAXIMUM ALLOWABLE ANTENNA AREA – PER CSA-S37-01								
	ROUND ANTENNA MEMBER / FLAT ANTENNA MEMBER								
	CLASS 1 (10mm ICE)			CLASS 1 (25mm ICE)			CLASS 3 (25mm ICE)		
	350Pa	450Pa	550Pa	350Pa	450Pa	550Pa	350Pa	450Pa	550Pa
	60/42	37/26	19/13	60/42	37/26	19/13	144/96	88/59	54/36

FOUNDATION LOADS:
 MAX. OVERTURNING MOMENT (K*FT) =
 MAX. SHEAR (kips) =
 MAX. AXIAL (kips) =

FOUNDATION DESIGN (NORMAL DRY SOIL)



INSULATING STYROFOAM REQUIRED WHERE FROST PENETRATION EXCEEDS 6 FEET. PLACE STYROFOAM ON SLAB AND EXTEND 3 FEET BEYOND EDGE. HIGHLOAD 40 INSULATION BY DOW CHEMICALS IS RECOMMENDED.



CUBIC YARDS of CONCRETE				
PAD	RND PIER	SQ PIER	TOTAL RND	TOTAL SQ
16.59	0.77	0.98	18.91	19.54

- NOTES: 1) KNOCK-DOWN PART NUMBER 5.94.S700.130.
 2) PRE-ASSEMBLED PART NUMBER: NOT AVAILABLE.
 3) ANTENNA LOADS ARE CENTRALLY LOCATED AND BALANCED, 3-FT OR LESS ABOVE THE TOWER TOP.
 4) WIND LOADING ASSUMES (1) 1/2" TRANSMISSION LINE PER 10 SQ.FT. OF ROUND MEMBER ANTENNA AREA.

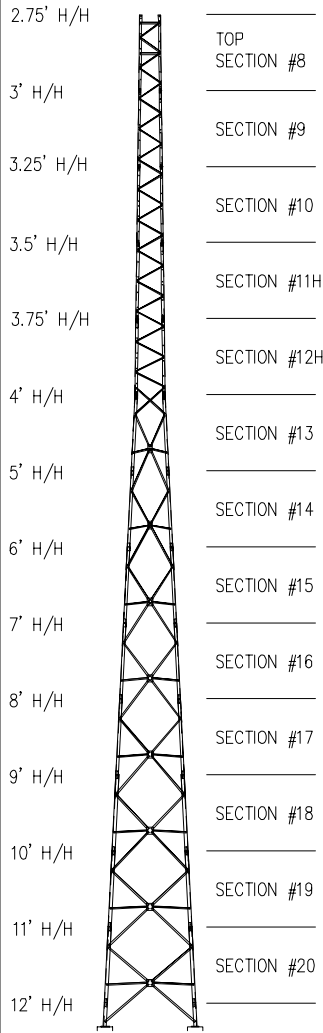
REV.	REV. BY:	CHK. BY:	DESCRIPTION	DATE

CONFIDENTIAL: ALL INTELLECTUAL PROPERTY RIGHTS HEREIN ARE THE PROPERTY OF TRYLON MANUFACTURING COMPANY LTD. ALL DUPLICATION, RECORDING, DISCLOSURE OR USE IS PROHIBITED WITHOUT WRITTEN CONSENT OF TRYLON MANUFACTURING COMPANY LTD.



CUSTOMER:	SITE:	SCALE: 200,000
DATE: 19 FEB 07	BY: EP	CHK: APP:
TITLE: 130FT S700 SUPERTITAN TOWER	DRAWING NO. 000001.620.0376	

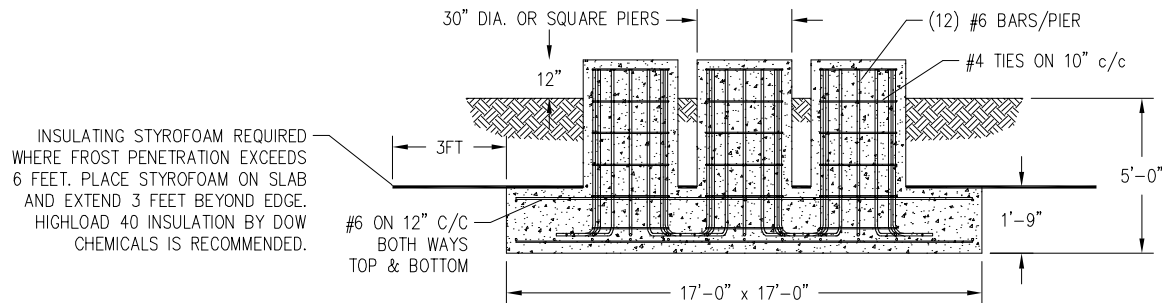
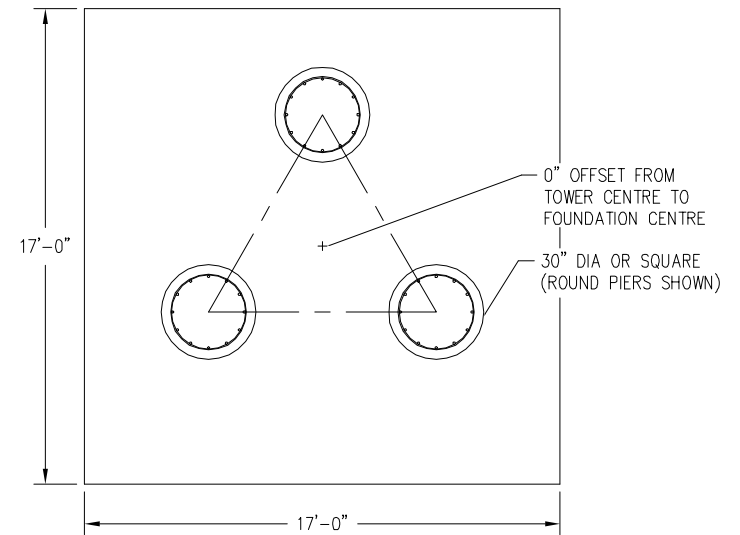
130FT S800 SUPERTITAN TOWER



C A N N A D A	MAXIMUM ALLOWABLE ANTENNA AREA - PER CSA-S37-01								
	ROUND ANTENNA MEMBER / FLAT ANTENNA MEMBER								
	CLASS 1 (10mm ICE)			CLASS 1 (25mm ICE)			CLASS 3 (25mm ICE)		
	350Pa	450Pa	550Pa	350Pa	450Pa	550Pa	350Pa	450Pa	550Pa
	69/49	47/33	31/22	69/49	47/33	31/22	154/103	102/68	74/49

FOUNDATION LOADS:
 MAX. OVERTURNING MOMENT (K*FT) =
 MAX. SHEAR (kips) =
 MAX. AXIAL (kips) =

FOUNDATION DESIGN (NORMAL DRY SOIL)



CUBIC YARDS of CONCRETE				
PAD	RND PIER	SQ PIER	TOTAL RND	TOTAL SQ
18.73	0.77	0.98	21.05	21.68

- NOTES: 1) KNOCK-DOWN PART NUMBER 5.94.S800.130.
 2) PRE-ASSEMBLED PART NUMBER: NOT AVAILABLE.
 3) ANTENNA LOADS ARE CENTRALLY LOCATED AND BALANCED, 3-FT OR LESS ABOVE THE TOWER TOP.
 4) WIND LOADING ASSUMES (1) 1/2" TRANSMISSION LINE PER 10 SQ.FT. OF ROUND MEMBER ANTENNA AREA.

CONFIDENTIAL: ALL INTELLECTUAL PROPERTY RIGHTS HEREIN ARE THE PROPERTY OF TRYLON MANUFACTURING COMPANY LTD. ALL DUPLICATION, RECORDING, DISCLOSURE OR USE IS PROHIBITED WITHOUT WRITTEN CONSENT OF TRYLON MANUFACTURING COMPANY LTD.



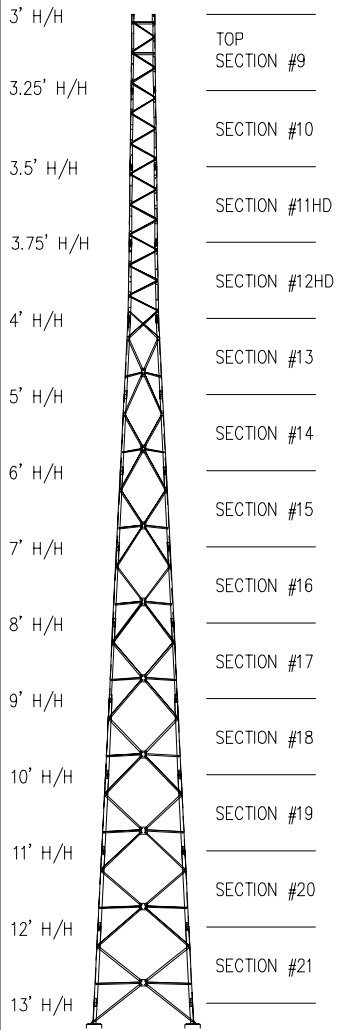
CUSTOMER: _____ SITE: _____ SCALE: 200,000

DATE: 19 FEB 07 BY: EP CHK: _____ APP: _____

TITLE: 130FT S800 SUPERTITAN TOWER DRAWING NO. 000001.620.0377

REV.	REV. BY:	CHK. BY:	DESCRIPTION	DATE

130FT S900 SUPERTITAN TOWER

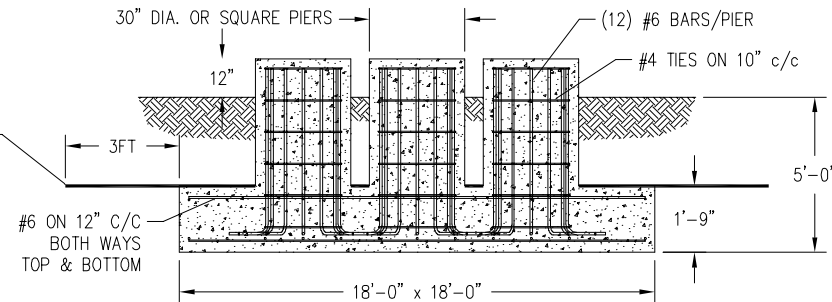
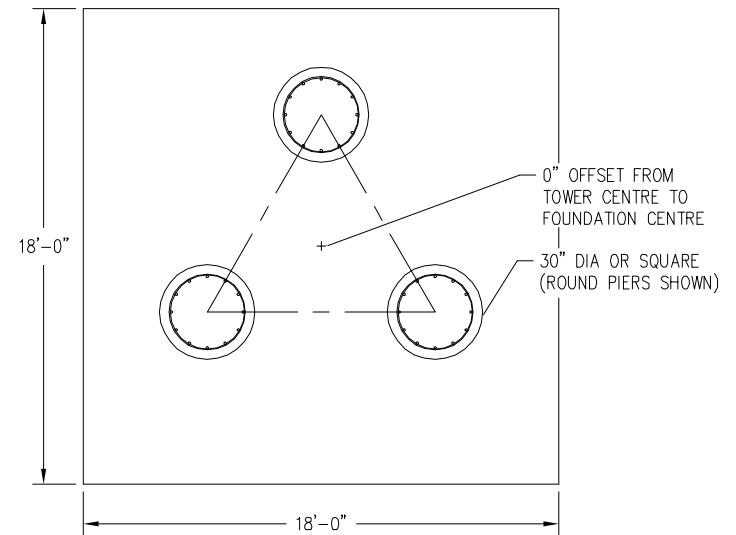


C A N D A	MAXIMUM ALLOWABLE ANTENNA AREA - PER CSA-S37-01								
	ROUND ANTENNA MEMBER / FLAT ANTENNA MEMBER								
	CLASS 1 (10mm ICE)			CLASS 1 (25mm ICE)			CLASS 3 (25mm ICE)		
	350Pa	450Pa	550Pa	350Pa	450Pa	550Pa	350Pa	450Pa	550Pa
	70/50	50/35	37/26	70/50	50/35	27/26	158/105	112/75	84/56

FOUNDATION LOADS:
 MAX. OVERTURNING MOMENT (K*FT) =
 MAX. SHEAR (kips) =
 MAX. AXIAL (kips) =

INSULATING STYROFOAM REQUIRED WHERE FROST PENETRATION EXCEEDS 6 FEET. PLACE STYROFOAM ON SLAB AND EXTEND 3 FEET BEYOND EDGE. HIGHLOAD 40 INSULATION BY DOW CHEMICALS IS RECOMMENDED.

FOUNDATION DESIGN (NORMAL DRY SOIL)



CUBIC YARDS of CONCRETE				
PAD	RND PIER	SQ PIER	TOTAL RND	TOTAL SQ
21.00	0.77	0.98	23.32	23.95

- NOTES: 1) KNOCK-DOWN PART NUMBER 5.94.S900.130.
 2) PRE-ASSEMBLED PART NUMBER: NOT AVAILABLE.
 3) ANTENNA LOADS ARE CENTRALLY LOCATED AND BALANCED, 3-FT OR LESS ABOVE THE TOWER TOP.
 4) WIND LOADING ASSUMES (1) 1/2" TRANSMISSION LINE PER 10 SQ.FT. OF ROUND MEMBER ANTENNA AREA.

REV.	REV. BY:	CHK. BY:	DESCRIPTION	DATE

CONFIDENTIAL: ALL INTELLECTUAL PROPERTY RIGHTS HEREIN ARE THE PROPERTY OF TRYLON MANUFACTURING COMPANY LTD. ALL DUPLICATION, RECORDING, DISCLOSURE OR USE IS PROHIBITED WITHOUT WRITTEN CONSENT OF TRYLON MANUFACTURING COMPANY LTD.



CUSTOMER:	SITE:	SCALE: 200,000
DATE: 19 FEB 07	BY: EP	CHK: APP:
TITLE: 130FT S900 SUPERTITAN TOWER	DRAWING NO. 000001.620.0378	