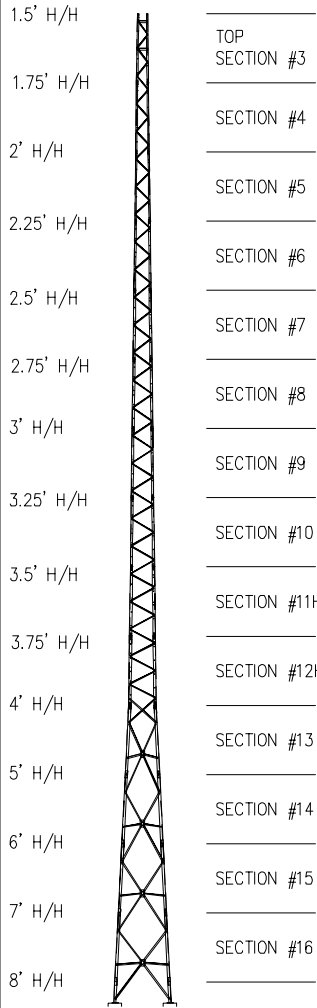


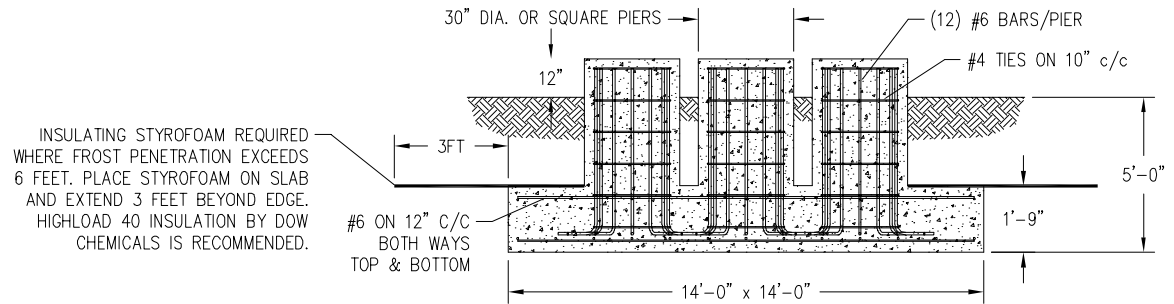
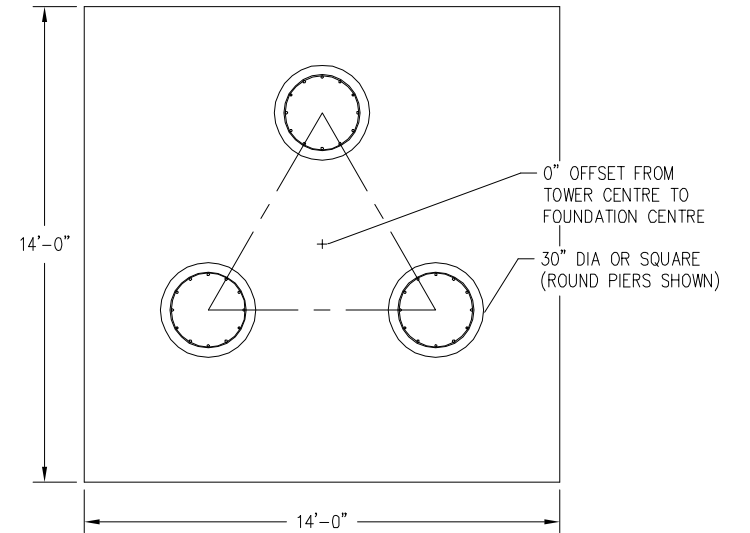
140FT S300 SUPERTITAN TOWER



MAXIMUM ALLOWABLE ANTENNA AREA - PER CSA-S37-01									
ROUND ANTENNA MEMBER / FLAT ANTENNA MEMBER									
CLASS 1 (10mm ICE)			CLASS 1 (25mm ICE)			CLASS 3 (25mm ICE)			
350Pa	450Pa	550Pa	350Pa	450Pa	550Pa	350Pa	450Pa	550Pa	
15/10	--/--	--/--	15/10	--/--	--/--	38/25	17/11	3/2	

FOUNDATION LOADS:
 MAX. OVERTURNING MOMENT (K*FT) =
 MAX. SHEAR (kips) =
 MAX. AXIAL (kips) =

FOUNDATION DESIGN (NORMAL DRY SOIL)



INSULATING STYROFOAM REQUIRED WHERE FROST PENETRATION EXCEEDS 6 FEET. PLACE STYROFOAM ON SLAB AND EXTEND 3 FEET BEYOND EDGE. HIGHLOAD 40 INSULATION BY DOW CHEMICALS IS RECOMMENDED.

CUBIC YARDS of CONCRETE				
PAD	RND PIER	SQ PIER	TOTAL RND	TOTAL SQ
12.70	0.77	0.98	15.02	15.66

- NOTES: 1) KNOCK-DOWN PART NUMBER 5.94.S300.140.
 2) PRE-ASSEMBLED PART NUMBER: NOT AVAILABLE.
 3) ANTENNA LOADS ARE CENTRALLY LOCATED AND BALANCED, 3-FT OR LESS ABOVE THE TOWER TOP.
 4) WIND LOADING ASSUMES (1) 1/2" TRANSMISSION LINE PER 10 SQ.FT. OF ROUND MEMBER ANTENNA AREA.

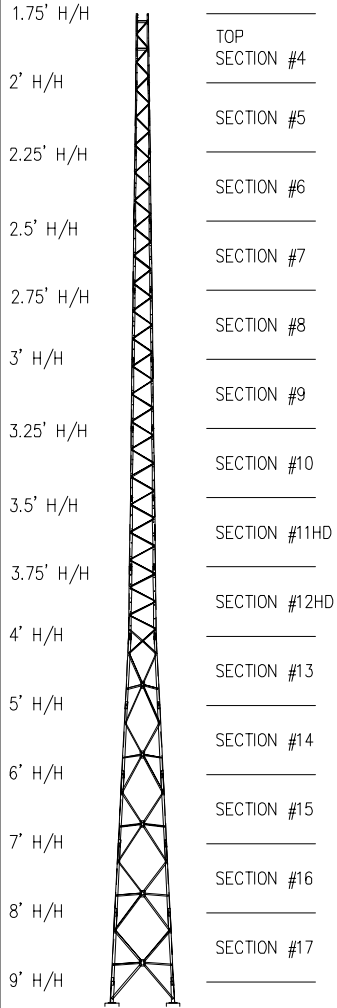
REV.	REV. BY:	CHK. BY:	DESCRIPTION	DATE

CONFIDENTIAL: ALL INTELLECTUAL PROPERTY RIGHTS HEREIN ARE THE PROPERTY OF TRYLON MANUFACTURING COMPANY LTD. ALL DUPLICATION, RECORDING, DISCLOSURE OR USE IS PROHIBITED WITHOUT WRITTEN CONSENT OF TRYLON MANUFACTURING COMPANY LTD.



CUSTOMER:	SITE:	SCALE: 220,000
DATE: 19 FEB 07	BY: MRH	CHK: APP:
TITLE: 140FT S300 SUPERTITAN TOWER	DRAWING NO. 000001.620.0379	

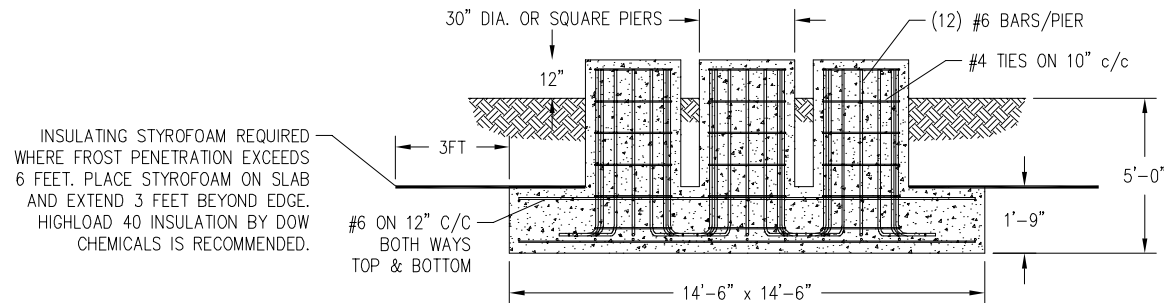
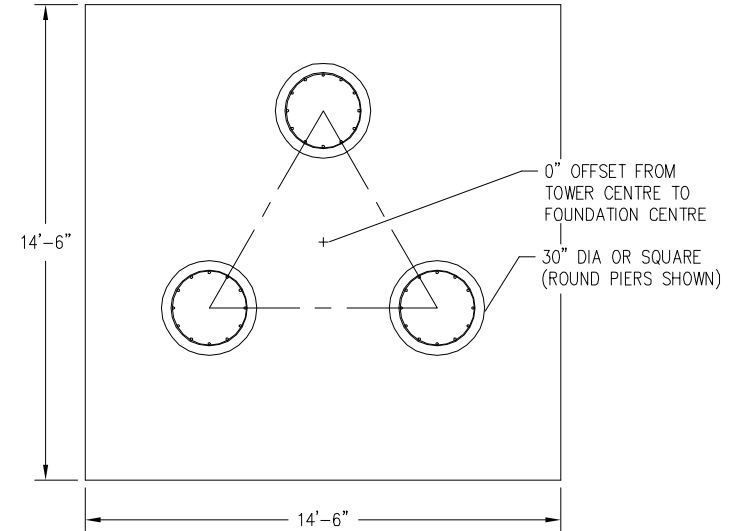
140FT S400 SUPERTITAN TOWER



C A N N A D A	MAXIMUM ALLOWABLE ANTENNA AREA - PER CSA-S37-01								
	ROUND ANTENNA MEMBER / FLAT ANTENNA MEMBER								
	CLASS 1 (10mm ICE)			CLASS 1 (25mm ICE)			CLASS 3 (25mm ICE)		
	350Pa	450Pa	550Pa	350Pa	450Pa	550Pa	350Pa	450Pa	550Pa
	28/20	4/2	--/--	27/19	4/2	--/--	55/37	32/21	11/7

FOUNDATION LOADS:
 MAX. OVERTURNING MOMENT (K*FT) =
 MAX. SHEAR (kips) =
 MAX. AXIAL (kips) =

FOUNDATION DESIGN (NORMAL DRY SOIL)



CUBIC YARDS of CONCRETE				
PAD	RND PIER	SQ PIER	TOTAL RND	TOTAL SQ
13.63	0.77	0.98	15.95	16.58

- NOTES: 1) KNOCK-DOWN PART NUMBER 5.94.S400.140.
 2) PRE-ASSEMBLED PART NUMBER: NOT AVAILABLE.
 3) ANTENNA LOADS ARE CENTRALLY LOCATED AND BALANCED, 3-FT OR LESS ABOVE THE TOWER TOP.
 4) WIND LOADING ASSUMES (1) 1/2" TRANSMISSION LINE PER 10 SQ.FT. OF ROUND MEMBER ANTENNA AREA.

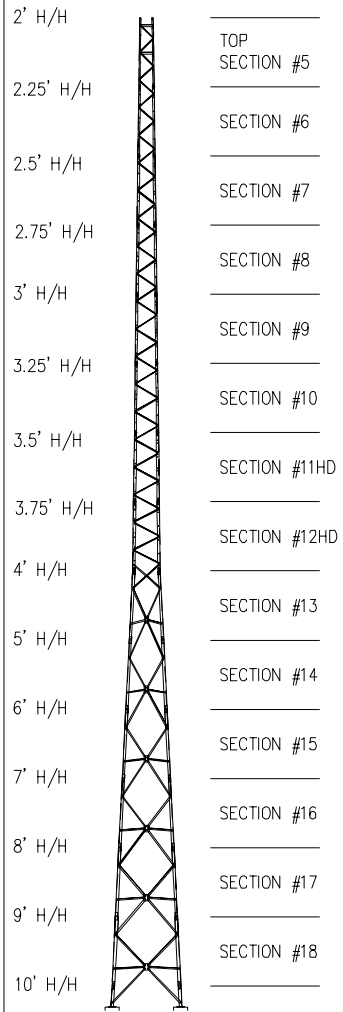
REV.	REV. BY:	CHK. BY:	DESCRIPTION	DATE

CONFIDENTIAL: ALL INTELLECTUAL PROPERTY RIGHTS HEREIN ARE THE PROPERTY OF TRYLON MANUFACTURING COMPANY LTD. ALL DUPLICATION, RECORDING, DISCLOSURE OR USE IS PROHIBITED WITHOUT WRITTEN CONSENT OF TRYLON MANUFACTURING COMPANY LTD.



CUSTOMER:		SITE:	SCALE: 220,000	
DATE: 19 FEB 07	BY: MRH	CHK:	APP:	
TITLE: 140FT S400 SUPERTITAN TOWER			DRAWING NO. 000001.620.0380	

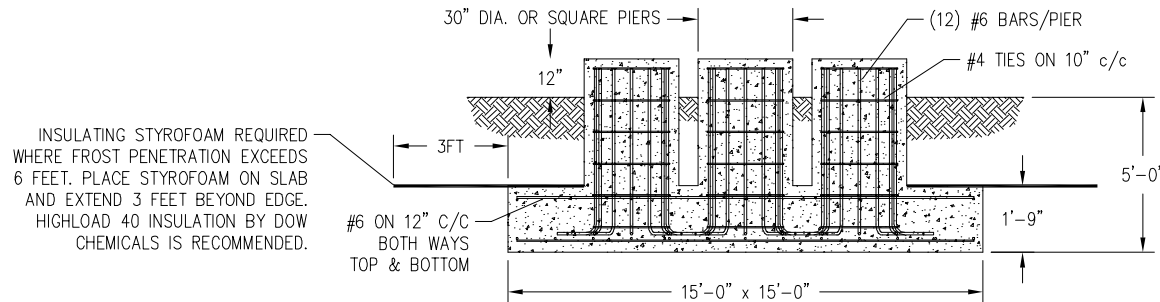
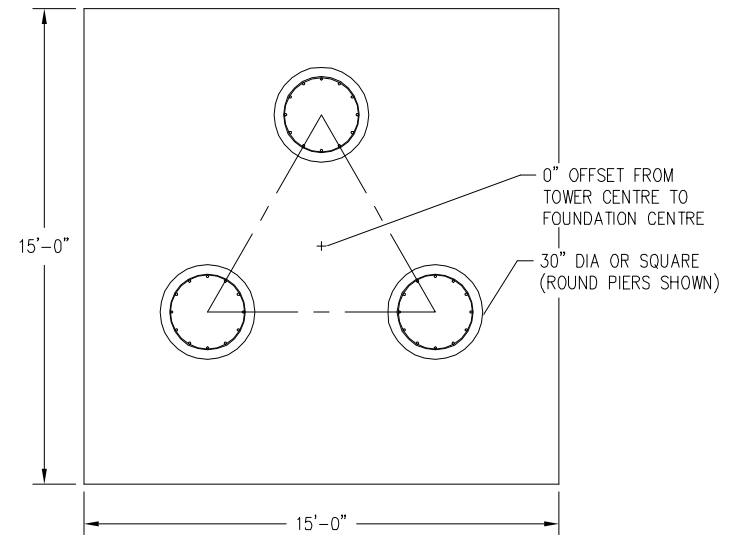
140FT S500 SUPERTITAN TOWER



MAXIMUM ALLOWABLE ANTENNA AREA - PER CSA-S37-01									
ROUND ANTENNA MEMBER / FLAT ANTENNA MEMBER									
C A N N A D A	CLASS 1 (10mm ICE)			CLASS 1 (25mm ICE)			CLASS 3 (25mm ICE)		
	350Pa	450Pa	550Pa	350Pa	450Pa	550Pa	350Pa	450Pa	550Pa
	42/30	13/9	--/--	40/28	13/9	--/--	80/53	48/32	21/14

FOUNDATION LOADS:
 MAX. OVERTURNING MOMENT (K*FT) =
 MAX. SHEAR (kips) =
 MAX. AXIAL (kips) =

FOUNDATION DESIGN (NORMAL DRY SOIL)



CUBIC YARDS of CONCRETE				
PAD	RND PIER	SQ PIER	TOTAL RND	TOTAL SQ
14.58	0.77	0.98	16.90	17.53

- NOTES: 1) KNOCK-DOWN PART NUMBER 5.94.S500.140.
 2) PRE-ASSEMBLED PART NUMBER: NOT AVAILABLE.
 3) ANTENNA LOADS ARE CENTRALLY LOCATED AND BALANCED, 3-FT OR LESS ABOVE THE TOWER TOP.
 4) WIND LOADING ASSUMES (1) 1/2" TRANSMISSION LINE PER 10 SQ.FT. OF ROUND MEMBER ANTENNA AREA.

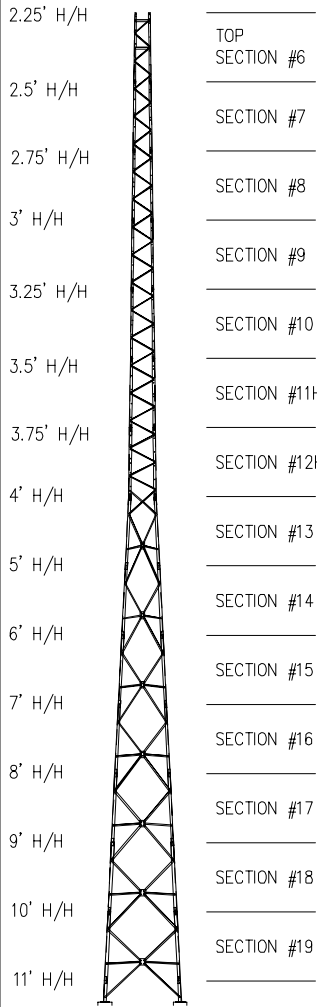
REV.	REV. BY:	CHK. BY:	DESCRIPTION	DATE

CONFIDENTIAL: ALL INTELLECTUAL PROPERTY RIGHTS HEREIN ARE THE PROPERTY OF TRYLON MANUFACTURING COMPANY LTD. ALL DUPLICATION, RECORDING, DISCLOSURE OR USE IS PROHIBITED WITHOUT WRITTEN CONSENT OF TRYLON MANUFACTURING COMPANY LTD.



CUSTOMER:	SITE:	SCALE: 220,000
DATE: 19 FEB 07	BY: MRH	CHK: APP:
TITLE: 140FT S500 SUPERTITAN TOWER	DRAWING NO. 000001.620.0381	

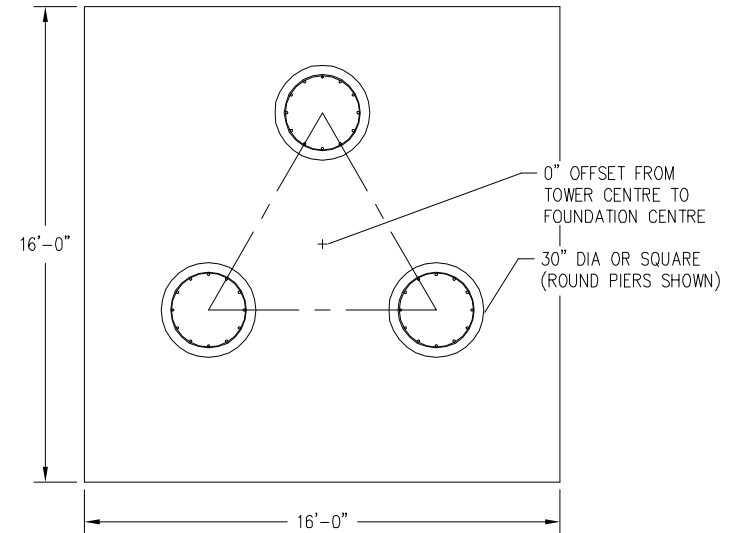
140FT S600 SUPERTITAN TOWER



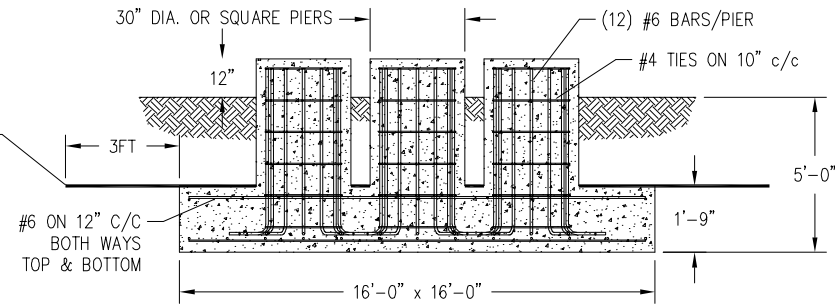
C A N N A D A	MAXIMUM ALLOWABLE ANTENNA AREA - PER CSA-S37-01								
	ROUND ANTENNA MEMBER / FLAT ANTENNA MEMBER								
	CLASS 1 (10mm ICE)			CLASS 1 (25mm ICE)			CLASS 3 (25mm ICE)		
	350Pa	450Pa	550Pa	350Pa	450Pa	550Pa	350Pa	450Pa	550Pa
	58/41	25/17	3/2	50/35	25/17	3/2	112/75	64/43	36/24

FOUNDATION LOADS:
 MAX. OVERTURNING MOMENT (K*FT) =
 MAX. SHEAR (kips) =
 MAX. AXIAL (kips) =

FOUNDATION DESIGN (NORMAL DRY SOIL)



INSULATING STYROFOAM REQUIRED WHERE FROST PENETRATION EXCEEDS 6 FEET. PLACE STYROFOAM ON SLAB AND EXTEND 3 FEET BEYOND EDGE. HIGHLOAD 40 INSULATION BY DOW CHEMICALS IS RECOMMENDED.



CUBIC YARDS of CONCRETE				
PAD	RND PIER	SQ PIER	TOTAL RND	TOTAL SQ
16.59	0.77	0.98	18.91	19.54

- NOTES: 1) KNOCK-DOWN PART NUMBER 5.94.S600.140.
 2) PRE-ASSEMBLED PART NUMBER: NOT AVAILABLE.
 3) ANTENNA LOADS ARE CENTRALLY LOCATED AND BALANCED, 3-FT OR LESS ABOVE THE TOWER TOP.
 4) WIND LOADING ASSUMES (1) 1/2" TRANSMISSION LINE PER 10 SQ.FT. OF ROUND MEMBER ANTENNA AREA.

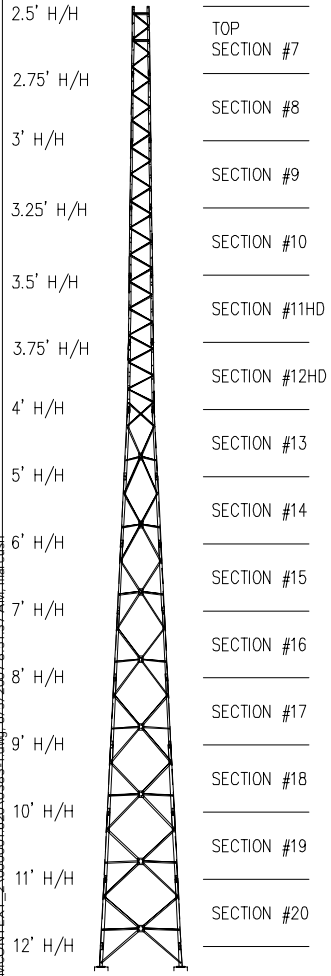
CONFIDENTIAL: ALL INTELLECTUAL PROPERTY RIGHTS HEREIN ARE THE PROPERTY OF TRYLON MANUFACTURING COMPANY LTD. ALL DUPLICATION, RECORDING, DISCLOSURE OR USE IS PROHIBITED WITHOUT WRITTEN CONSENT OF TRYLON MANUFACTURING COMPANY LTD.



CUSTOMER:	SITE:	SCALE:
DATE: 19 FEB 07	BY: MRH	APP:
TITLE: 140FT S600 SUPERTITAN TOWER		DRAWING NO. 000001.620.0382

REV.	REV. BY:	CHK. BY:	DESCRIPTION	DATE

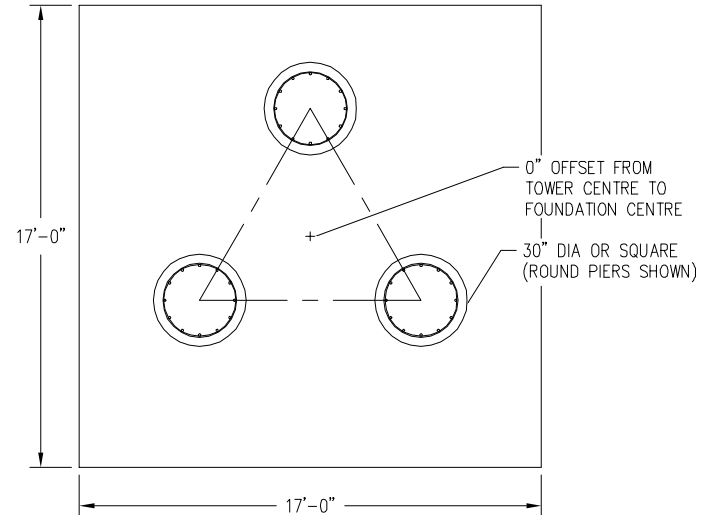
140FT S700 SUPERTITAN TOWER



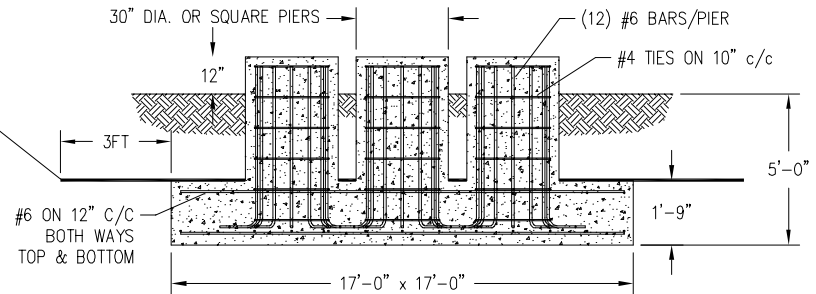
C A N N A D A	MAXIMUM ALLOWABLE ANTENNA AREA – PER CSA-S37-01								
	ROUND ANTENNA MEMBER / FLAT ANTENNA MEMBER								
	CLASS 1 (10mm ICE)			CLASS 1 (25mm ICE)			CLASS 3 (25mm ICE)		
	350Pa	450Pa	550Pa	350Pa	450Pa	550Pa	350Pa	450Pa	550Pa
	60/42	36/25	15/10	60/42	35/25	15/10	140/93	83/55	50/33

FOUNDATION LOADS:
 MAX. OVERTURNING MOMENT (K*FT) =
 MAX. SHEAR (kips) =
 MAX. AXIAL (kips) =

FOUNDATION DESIGN (NORMAL DRY SOIL)



INSULATING STYROFOAM REQUIRED WHERE FROST PENETRATION EXCEEDS 6 FEET. PLACE STYROFOAM ON SLAB AND EXTEND 3 FEET BEYOND EDGE. HIGHLOAD 40 INSULATION BY DOW CHEMICALS IS RECOMMENDED.



CUBIC YARDS of CONCRETE				
PAD	RND PIER	SQ PIER	TOTAL RND	TOTAL SQ
18.73	0.77	0.98	21.05	21.68

CONFIDENTIAL: ALL INTELLECTUAL PROPERTY RIGHTS HEREIN ARE THE PROPERTY OF TRYLON MANUFACTURING COMPANY LTD. ALL DUPLICATION, RECORDING, DISCLOSURE OR USE IS PROHIBITED WITHOUT WRITTEN CONSENT OF TRYLON MANUFACTURING COMPANY LTD.



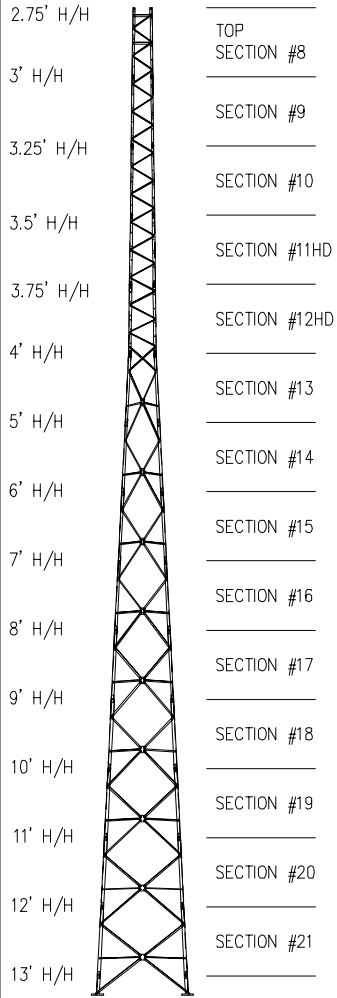
- NOTES: 1) KNOCK-DOWN PART NUMBER 5.94.S700.140.
 2) PRE-ASSEMBLED PART NUMBER: NOT AVAILABLE.
 3) ANTENNA LOADS ARE CENTRALLY LOCATED AND BALANCED, 3-FT OR LESS ABOVE THE TOWER TOP.
 4) WIND LOADING ASSUMES (1) 1/2" TRANSMISSION LINE PER 10 SQ.FT. OF ROUND MEMBER ANTENNA AREA.

CUSTOMER:		SITE:	SCALE:
DATE: 19 FEB 07		BY: MRH	220,000
TITLE: 140FT S700 SUPERTITAN TOWER		CHK:	APP:
DRAWING NO. 000001.620.0383			

REV.	REV. BY:	CHK. BY:	DESCRIPTION	DATE

\\ENG-SERVER\improd\dwg\140\140WINDING.dwg-6/5/2007 8:51:33 AM marcugh

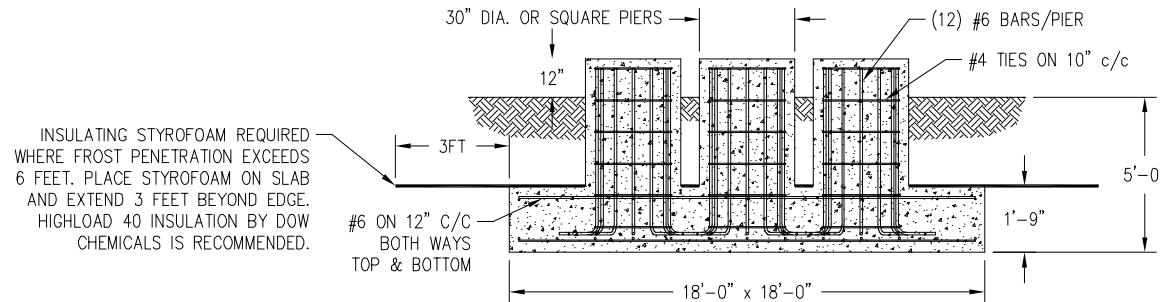
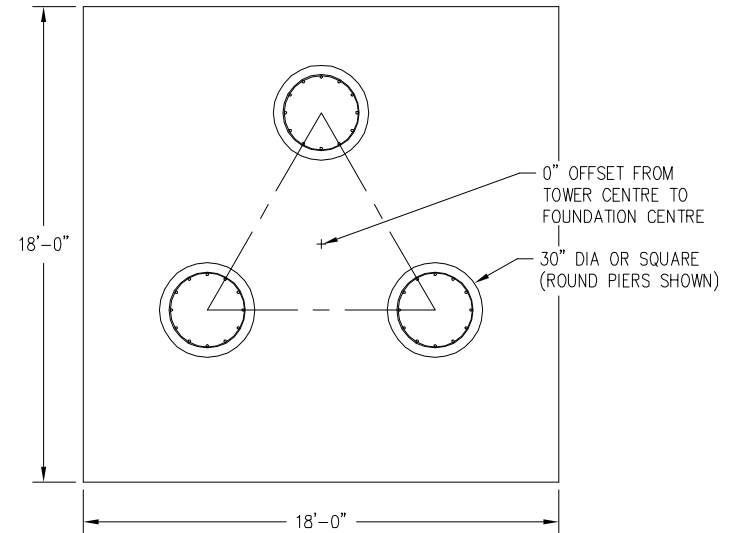
140FT S800 SUPERTITAN TOWER



C A N N A D A	MAXIMUM ALLOWABLE ANTENNA AREA - PER CSA-S37-01								
	ROUND ANTENNA MEMBER / FLAT ANTENNA MEMBER								
	CLASS 1 (10mm ICE)			CLASS 1 (25mm ICE)			CLASS 3 (25mm ICE)		
	350Pa	450Pa	550Pa	350Pa	450Pa	550Pa	350Pa	450Pa	550Pa
	67/47	45/32	31/22	67/47	45/32	31/22	150/100	101/67	72/48

FOUNDATION LOADS:
 MAX. OVERTURNING MOMENT (K*FT) =
 MAX. SHEAR (kips) =
 MAX. AXIAL (kips) =

FOUNDATION DESIGN (NORMAL DRY SOIL)



CUBIC YARDS of CONCRETE				
PAD	RND PIER	SQ PIER	TOTAL RND	TOTAL SQ
21.00	0.77	0.98	23.32	23.95

- NOTES: 1) KNOCK-DOWN PART NUMBER 5.94.S800.140.
 2) PRE-ASSEMBLED PART NUMBER: NOT AVAILABLE.
 3) ANTENNA LOADS ARE CENTRALLY LOCATED AND BALANCED, 3-FT OR LESS ABOVE THE TOWER TOP.
 4) WIND LOADING ASSUMES (1) 1/2" TRANSMISSION LINE PER 10 SQ.FT. OF ROUND MEMBER ANTENNA AREA.

REV.	REV. BY:	CHK. BY:	DESCRIPTION	DATE

CONFIDENTIAL: ALL INTELLECTUAL PROPERTY RIGHTS HEREIN ARE THE PROPERTY OF TRYLON MANUFACTURING COMPANY LTD. ALL DUPLICATION, RECORDING, DISCLOSURE OR USE IS PROHIBITED WITHOUT WRITTEN CONSENT OF TRYLON MANUFACTURING COMPANY LTD.



CUSTOMER:		SITE:	SCALE: 220,000	
DATE: 19 FEB 07	BY: MRH	CHK:	APP:	
TITLE: 140FT S800 SUPERTITAN TOWER			DRAWING NO. 000001.620.0384	