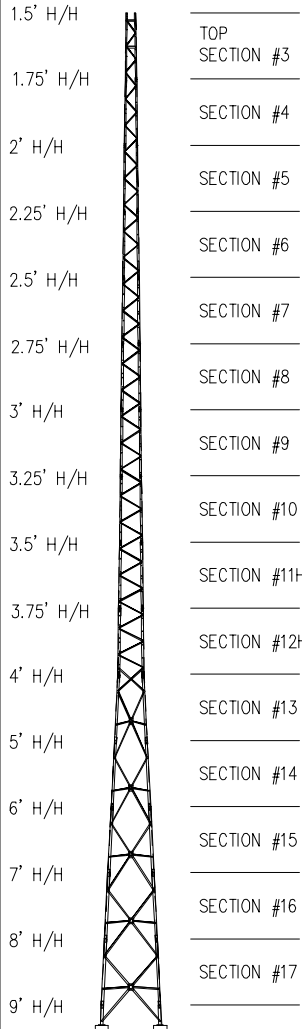


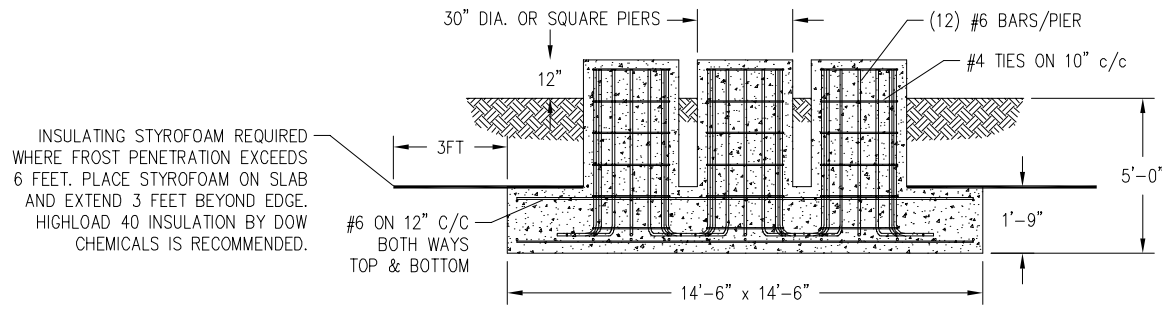
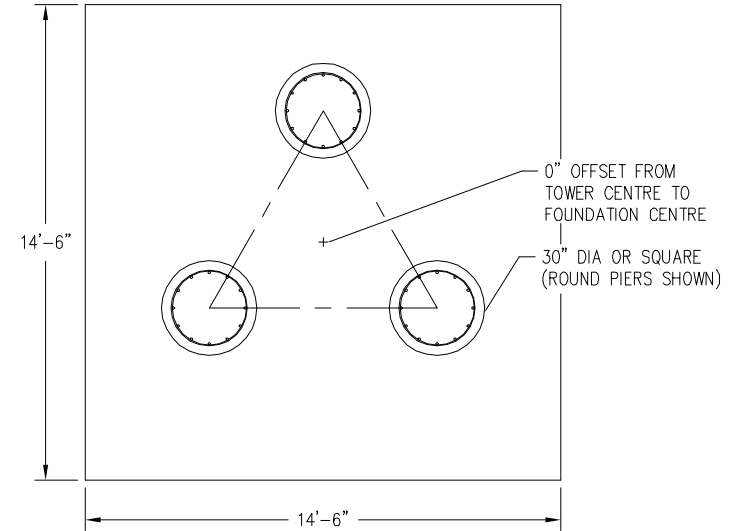
150FT S300 SUPERTITAN TOWER



C A N T A N A	MAXIMUM ALLOWABLE ANTENNA AREA – PER CSA-S37-01								
	ROUND ANTENNA MEMBER / FLAT ANTENNA MEMBER								
	CLASS 1 (10mm ICE)			CLASS 1 (25mm ICE)			CLASS 3 (25mm ICE)		
	350Pa	450Pa	550Pa	350Pa	450Pa	550Pa	350Pa	450Pa	550Pa
	14/10	-/-	-/-	14/10	-/-	-/-	36/24	16/11	-/-

FOUNDATION LOADS:  
 MAX. OVERTURNING MOMENT (K\*FT) =  
 MAX. SHEAR (kips) =  
 MAX. AXIAL (kips) =

FOUNDATION DESIGN (NORMAL DRY SOIL)



INSULATING STYROFOAM REQUIRED WHERE FROST PENETRATION EXCEEDS 6 FEET. PLACE STYROFOAM ON SLAB AND EXTEND 3 FEET BEYOND EDGE. HIGHLOAD 40 INSULATION BY DOW CHEMICALS IS RECOMMENDED.

CUBIC YARDS of CONCRETE				
PAD	RND PIER	SQ PIER	TOTAL RND	TOTAL SQ
13.63	0.77	0.98	15.95	16.58

- NOTES: 1) KNOCK-DOWN PART NUMBER 5.94.S300.150.  
 2) PRE-ASSEMBLED PART NUMBER: NOT AVAILABLE.  
 3) ANTENNA LOADS ARE CENTRALLY LOCATED AND BALANCED, 3-FT OR LESS ABOVE THE TOWER TOP.  
 4) WIND LOADING ASSUMES (1) 1/2" TRANSMISSION LINE PER 10 SQ.FT. OF ROUND MEMBER ANTENNA AREA.

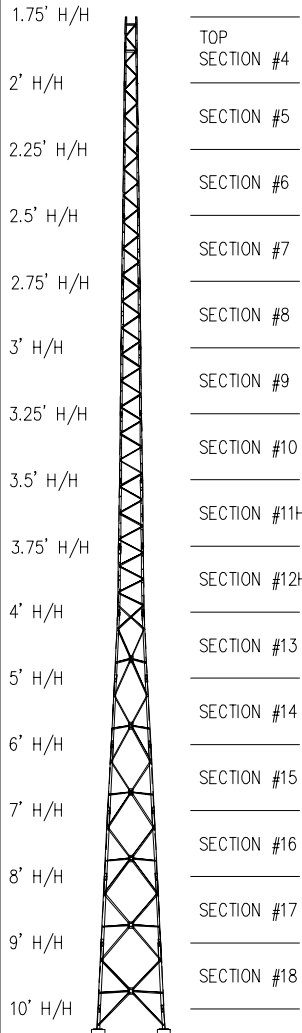
REV.	REV. BY:	CHK. BY:	DESCRIPTION	DATE

CONFIDENTIAL: ALL INTELLECTUAL PROPERTY RIGHTS HEREIN ARE THE PROPERTY OF TRYLON MANUFACTURING COMPANY LTD. ALL DUPLICATION, RECORDING, DISCLOSURE OR USE IS PROHIBITED WITHOUT WRITTEN CONSENT OF TRYLON MANUFACTURING COMPANY LTD.



CUSTOMER:	SITE:	SCALE: 230,000
DATE: 19 FEB 07	BY: EP	CHK: APP:
TITLE: 150FT S300 SUPERTITAN TOWER		DRAWING NO. 000001.620.0385

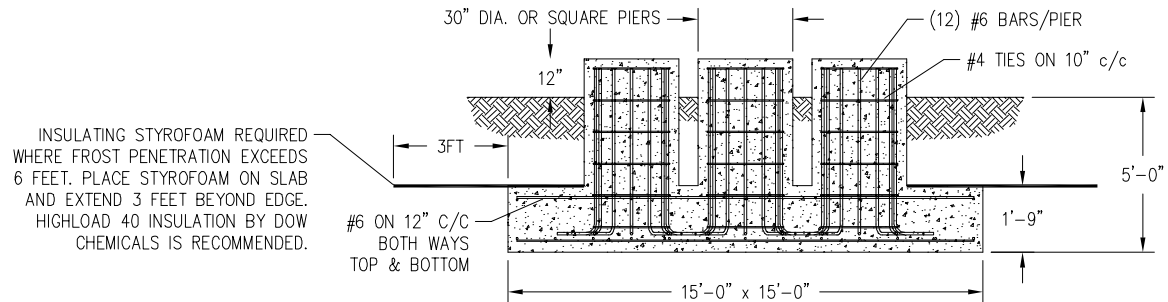
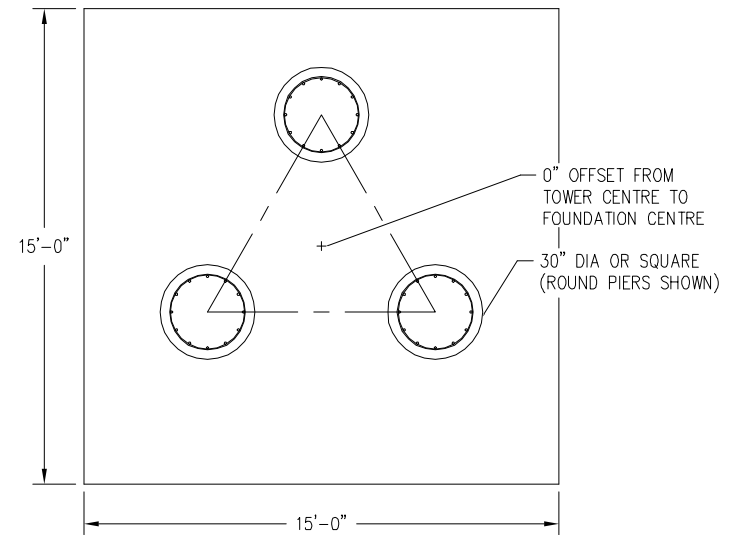
150FT S400 SUPERTITAN TOWER



MAXIMUM ALLOWABLE ANTENNA AREA - PER CSA-S37-01									
C A N A D A	ROUND ANTENNA MEMBER / FLAT ANTENNA MEMBER								
	CLASS 1 (10mm ICE)			CLASS 1 (25mm ICE)			CLASS 3 (25mm ICE)		
	350Pa	450Pa	550Pa	350Pa	450Pa	550Pa	350Pa	450Pa	550Pa
28/20	1/-	-/-	27/19	1/-	-/-	62/41	30/20	8/5	

FOUNDATION LOADS:  
 MAX. OVERTURNING MOMENT (K\*FT) =  
 MAX. SHEAR (kips) =  
 MAX. AXIAL (kips) =

FOUNDATION DESIGN (NORMAL DRY SOIL)



CUBIC YARDS of CONCRETE				
PAD	RND PIER	SQ PIER	TOTAL RND	TOTAL SQ
14.58	0.77	0.98	16.90	17.53

- NOTES: 1) KNOCK-DOWN PART NUMBER 5.94.S400.150.  
 2) PRE-ASSEMBLED PART NUMBER: NOT AVAILABLE.  
 3) ANTENNA LOADS ARE CENTRALLY LOCATED AND BALANCED, 3-FT OR LESS ABOVE THE TOWER TOP.  
 4) WIND LOADING ASSUMES (1) 1/2" TRANSMISSION LINE PER 10 SQ.FT. OF ROUND MEMBER ANTENNA AREA.

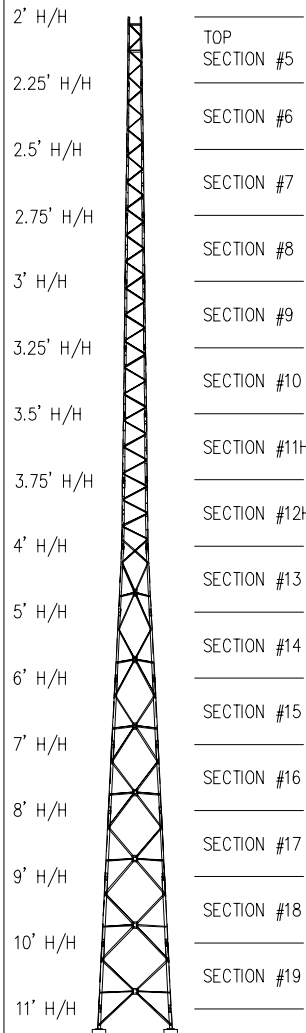
CONFIDENTIAL: ALL INTELLECTUAL PROPERTY RIGHTS HEREIN ARE THE PROPERTY OF TRYLON MANUFACTURING COMPANY LTD. ALL DUPLICATION, RECORDING, DISCLOSURE OR USE IS PROHIBITED WITHOUT WRITTEN CONSENT OF TRYLON MANUFACTURING COMPANY LTD.



CUSTOMER:	SITE:	SCALE:
DATE: 19 FEB 07	BY: EP	APP:
TITLE: 150FT S400 SUPERTITAN TOWER		DRAWING NO. 000001.620.0386

REV.	REV. BY:	CHK. BY:	DESCRIPTION	DATE

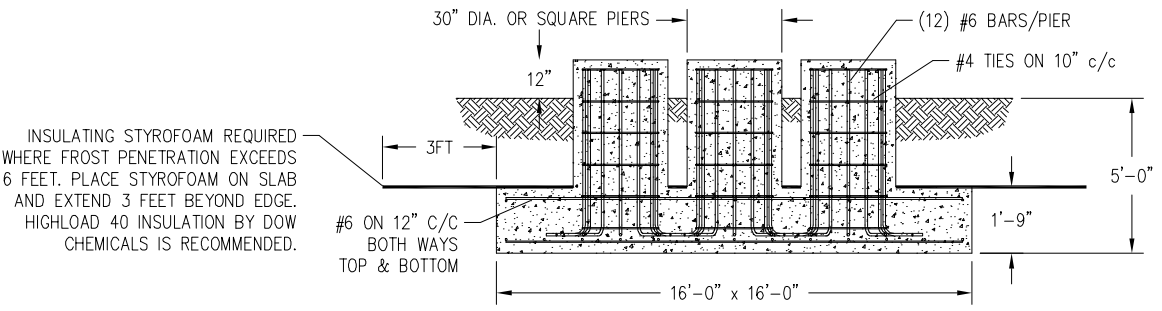
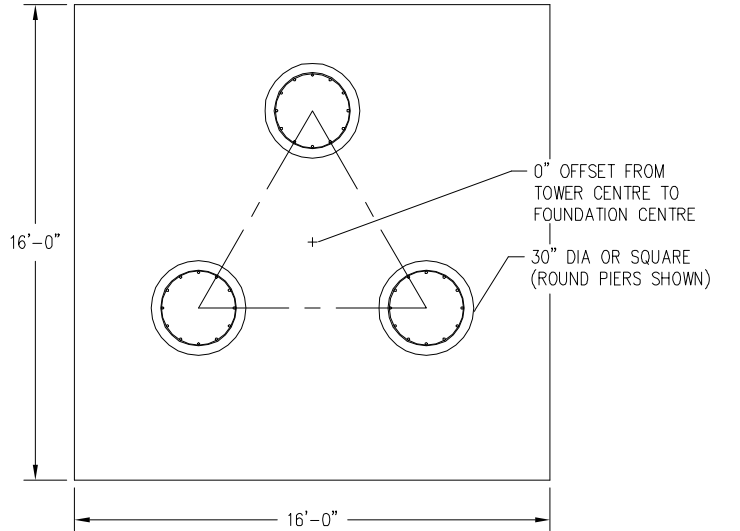
150FT S500 SUPERTITAN TOWER



MAXIMUM ALLOWABLE ANTENNA AREA - PER CSA-S37-01									
ROUND ANTENNA MEMBER / FLAT ANTENNA MEMBER									
CLASS 1 (10mm ICE)			CLASS 1 (25mm ICE)			CLASS 3 (25mm ICE)			
350Pa	450Pa	550Pa	350Pa	450Pa	550Pa	350Pa	450Pa	550Pa	
40/28	10/7	-/-	39/27	10/7	-/-	76/51	45/30	20/13	

FOUNDATION LOADS:  
 MAX. OVERTURNING MOMENT (K\*FT) =  
 MAX. SHEAR (kips) =  
 MAX. AXIAL (kips) =

FOUNDATION DESIGN (NORMAL DRY SOIL)



INSULATING STYROFOAM REQUIRED WHERE FROST PENETRATION EXCEEDS 6 FEET. PLACE STYROFOAM ON SLAB AND EXTEND 3 FEET BEYOND EDGE. HIGHLOAD 40 INSULATION BY DOW CHEMICALS IS RECOMMENDED.

CUBIC YARDS of CONCRETE				
PAD	RND PIER	SQ PIER	TOTAL RND	TOTAL SQ
16.59	0.77	0.98	18.91	19.54

- NOTES: 1) KNOCK-DOWN PART NUMBER 5.94.S500.150.  
 2) PRE-ASSEMBLED PART NUMBER: NOT AVAILABLE.  
 3) ANTENNA LOADS ARE CENTRALLY LOCATED AND BALANCED, 3-FT OR LESS ABOVE THE TOWER TOP.  
 4) WIND LOADING ASSUMES (1) 1/2" TRANSMISSION LINE PER 10 SQ.FT. OF ROUND MEMBER ANTENNA AREA.

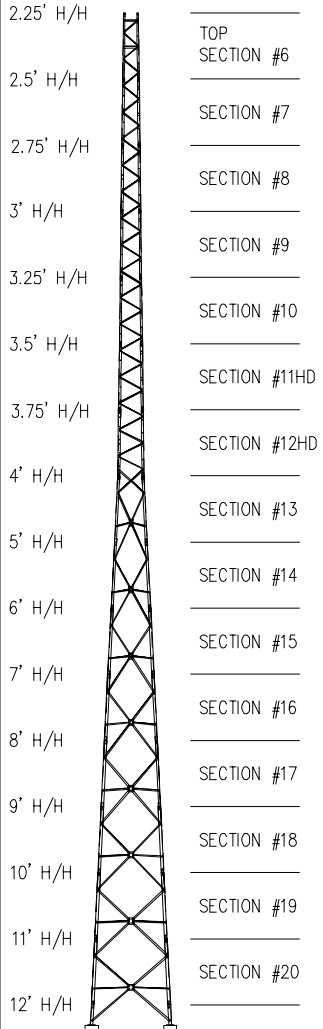
CONFIDENTIAL: ALL INTELLECTUAL PROPERTY RIGHTS HEREIN ARE THE PROPERTY OF TRYLON MANUFACTURING COMPANY LTD. ALL DUPLICATION, RECORDING, DISCLOSURE OR USE IS PROHIBITED WITHOUT WRITTEN CONSENT OF TRYLON MANUFACTURING COMPANY LTD.



CUSTOMER:	SITE:	SCALE:
DATE: 19 FEB 07	BY: EP	CHK: APP:
TITLE: 150FT S500 SUPERTITAN TOWER		DRAWING NO. 000001.620.0387

REV.	REV. BY:	CHK. BY:	DESCRIPTION	DATE

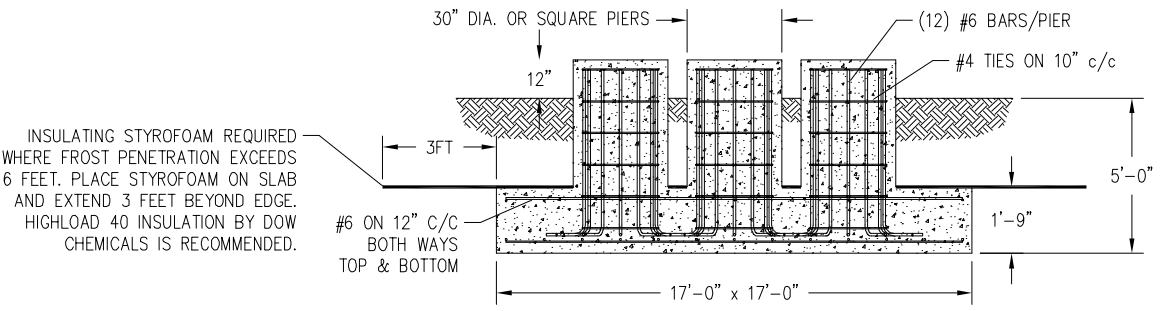
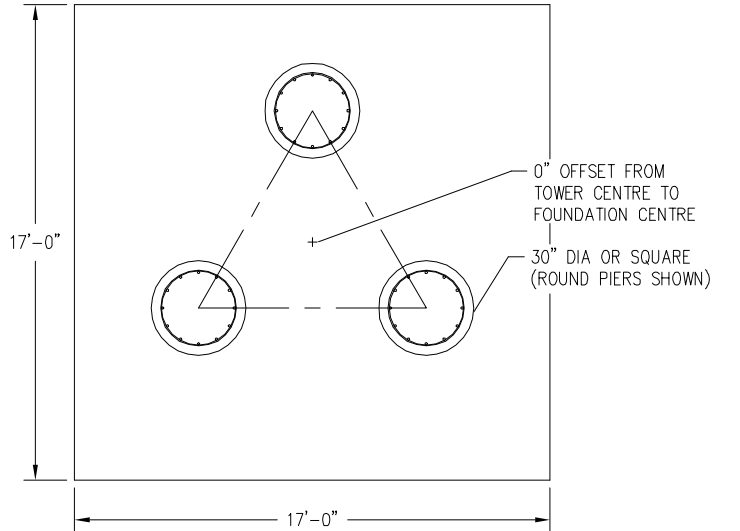
**150FT S600 SUPERTITAN TOWER**



MAXIMUM ALLOWABLE ANTENNA AREA - PER CSA-S37-01										
ROUND ANTENNA MEMBER / FLAT ANTENNA MEMBER										
CLASS 1 (10mm ICE)			CLASS 1 (25mm ICE)			CLASS 3 (25mm ICE)				
350Pa	450Pa	550Pa	350Pa	450Pa	550Pa	350Pa	450Pa	550Pa		
54/38	22/15	-/-	48/34	22/15	-/-	108/72	61/41	32/21		

**FOUNDATION LOADS:**  
 MAX. OVERTURNING MOMENT (K\*FT) =  
 MAX. SHEAR (kips) =  
 MAX. AXIAL (kips) =

**FOUNDATION DESIGN (NORMAL DRY SOIL)**



CUBIC YARDS of CONCRETE				
PAD	RND PIER	SQ PIER	TOTAL RND	TOTAL SQ
18.73	0.77	0.98	21.05	21.68

- NOTES: 1) KNOCK-DOWN PART NUMBER 5.94.S600.150.  
 2) PRE-ASSEMBLED PART NUMBER: NOT AVAILABLE.  
 3) ANTENNA LOADS ARE CENTRALLY LOCATED AND BALANCED, 3-FT OR LESS ABOVE THE TOWER TOP.  
 4) WIND LOADING ASSUMES (1) 1/2" TRANSMISSION LINE PER 10 SQ.FT. OF ROUND MEMBER ANTENNA AREA.

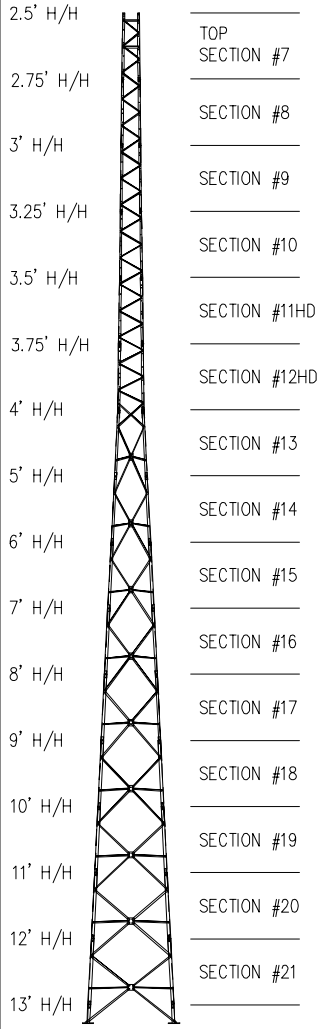
CONFIDENTIAL: ALL INTELLECTUAL PROPERTY RIGHTS HEREIN ARE THE PROPERTY OF TRYLON MANUFACTURING COMPANY LTD. ALL DUPLICATION, RECORDING, DISCLOSURE OR USE IS PROHIBITED WITHOUT WRITTEN CONSENT OF TRYLON MANUFACTURING COMPANY LTD.



REV.	REV. BY:	CHK. BY:	DESCRIPTION	DATE

CUSTOMER:	SITE:	SCALE: 230,000
DATE: 19 FEB 07	BY: EP	CHK: APP:
TITLE: 150FT S600 SUPERTITAN TOWER		DRAWING NO. 000001.620.0388

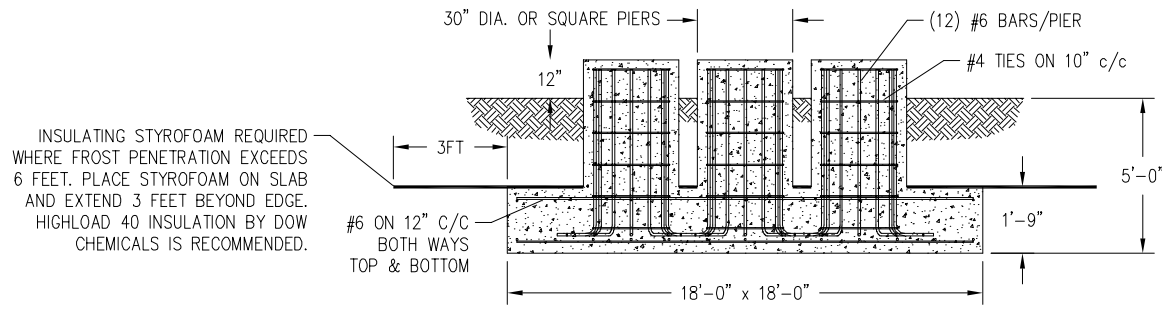
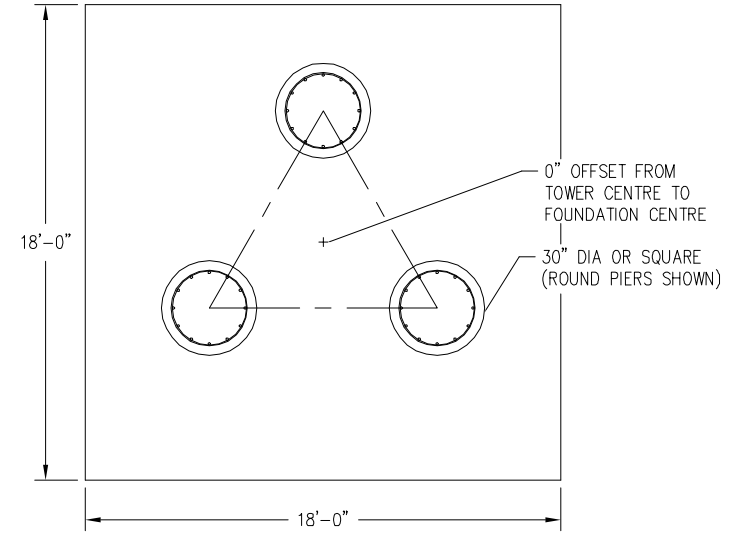
150FT S700 SUPERTITAN TOWER



C A N A D A	MAXIMUM ALLOWABLE ANTENNA AREA - PER CSA-S37-01								
	ROUND ANTENNA MEMBER / FLAT ANTENNA MEMBER								
	CLASS 1 (10mm ICE)			CLASS 1 (25mm ICE)			CLASS 3 (25mm ICE)		
	350Pa	450Pa	550Pa	350Pa	450Pa	550Pa	350Pa	450Pa	550Pa
	58/41	33/23	13/9	58/41	32/22	13/9	134/89	83/55	49/33

FOUNDATION LOADS:  
 MAX. OVERTURNING MOMENT (K\*FT) =  
 MAX. SHEAR (kips) =  
 MAX. AXIAL (kips) =

FOUNDATION DESIGN (NORMAL DRY SOIL)



INSULATING STYROFOAM REQUIRED WHERE FROST PENETRATION EXCEEDS 6 FEET. PLACE STYROFOAM ON SLAB AND EXTEND 3 FEET BEYOND EDGE. HIGHLOAD 40 INSULATION BY DOW CHEMICALS IS RECOMMENDED.

CUBIC YARDS of CONCRETE				
PAD	RND PIER	SQ PIER	TOTAL RND	TOTAL SQ
21.00	0.77	0.98	23.32	23.95

- NOTES: 1) KNOCK-DOWN PART NUMBER 5.94.S700.150.  
 2) PRE-ASSEMBLED PART NUMBER: NOT AVAILABLE.  
 3) ANTENNA LOADS ARE CENTRALLY LOCATED AND BALANCED, 3-FT OR LESS ABOVE THE TOWER TOP.  
 4) WIND LOADING ASSUMES (1) 1/2" TRANSMISSION LINE PER 10 SQ.FT. OF ROUND MEMBER ANTENNA AREA.

REV.	REV. BY:	CHK. BY:	DESCRIPTION	DATE

CONFIDENTIAL: ALL INTELLECTUAL PROPERTY RIGHTS HEREIN ARE THE PROPERTY OF TRYLON MANUFACTURING COMPANY LTD. ALL DUPLICATION, RECORDING, DISCLOSURE OR USE IS PROHIBITED WITHOUT WRITTEN CONSENT OF TRYLON MANUFACTURING COMPANY LTD.



CUSTOMER:	SITE:	SCALE: 230,000
DATE: 19 FEB 07	BY: EP	CHK: APP:
TITLE: 150FT S700 SUPERTITAN TOWER		DRAWING NO. 000001.620.0389