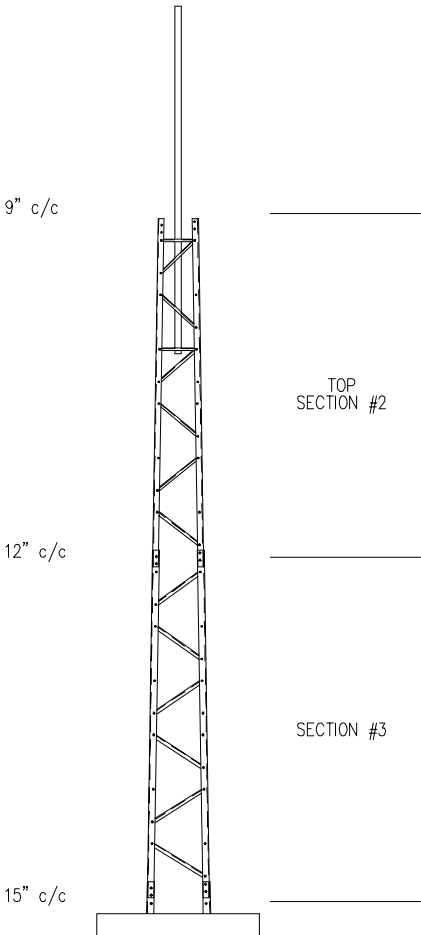
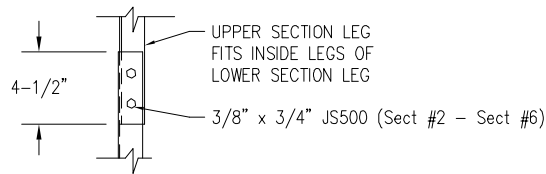


16' T200 TITAN TOWER  
(P/N 4.95.0201.000)

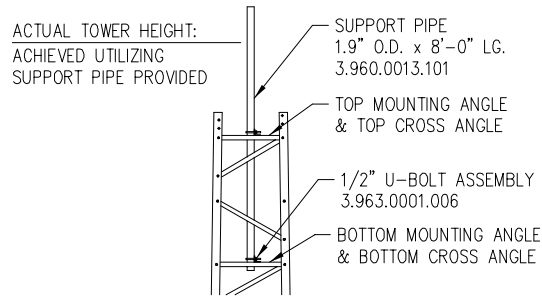


MAXIMUM ALLOWABLE ANTENNA AREA		
SURVIVAL DESIGN NO ICE (ROUND/FLAT)		
70mph WIND	85mph WIND	100mph WIND
16/11 (sqft)	9/6 (sqft)	4/3 (sqft)

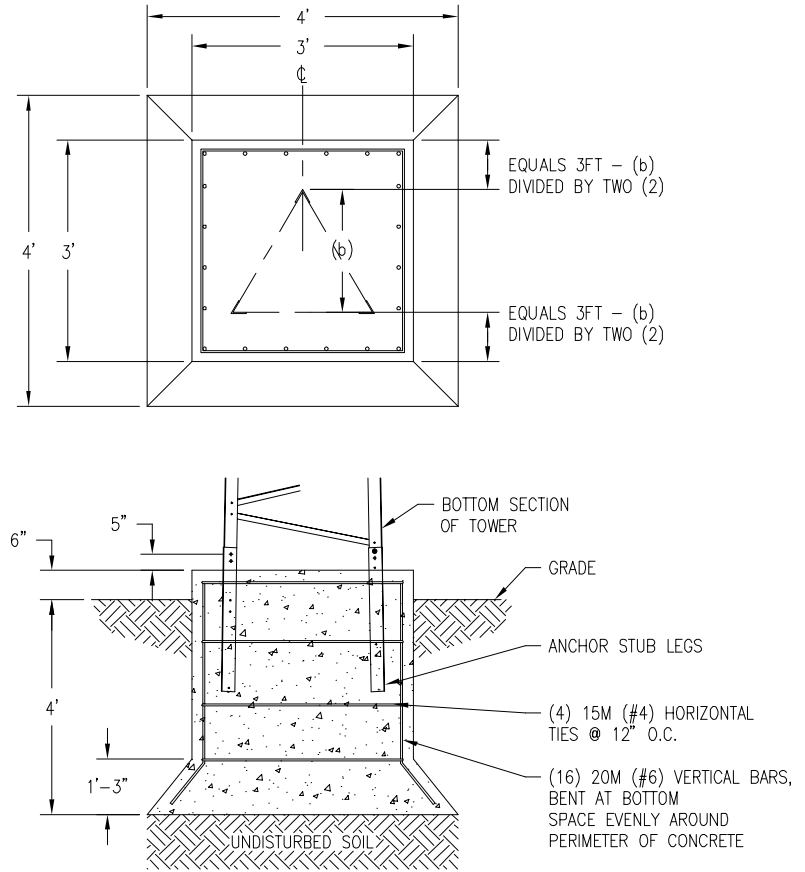
SECTION SPLICE



TOP ELEVATION



FOUNDATION DESIGN (NORMAL DRY SOIL)



FOUNDATION LOADS:  
MAX. OVERTURNING MOMENT (K\*FT) = 17.00  
MAX. SHEAR (kips) = 0.7  
DESIGN UPLIFT PER INDIVIDUAL LEG (kips) = 10.0

CONCRETE VOLUME:  
2.0 CUBIC YARDS

- NOTES:
- 1) PRE-ASSEMBLED PART NUMBER 4.95.0201.000.
  - 2) MAX. ANTENNA LOADS ARE CENTRALLY LOCATED AND BALANCED, 3FT OR LESS ABOVE THE TOWER TOP.
  - 3) "SURVIVAL" DESIGN IS NOT THE SAME AS EIA-222. FOR EIA COMPLIANCE SEE OUR SUPERTITAN MODELS.
  - 4) MINIMUM 32ksi YIELD FOR ALL COMPONENTS.
  - 5) CONSTRUCTED FROM PASSIVATED G-90 COAT GALVANIZED STEEL SHEET.
  - 6) TOWERS COME ASSEMBLED IN 8FT SECTIONS.
  - 7) TOP SUPPORT PIPE IS INCLUDED.
  - 8) FOR OPTIONAL ROCK BOLT FOUNDATION SEE DWG 000001.610.0033 AND 000001.610.0021.

REV.	REV. BY:	CHK. BY:	DESCRIPTION	DATE
A	MRH	CR	ISSUED FOR DISTRIBUTION	5 APR 07

CONFIDENTIAL: ALL INTELLECTUAL PROPERTY RIGHTS HEREIN ARE THE PROPERTY OF TRYLON MANUFACTURING COMPANY LTD. ALL DUPLICATION, RECORDING, DISCLOSURE OR USE IS PROHIBITED WITHOUT WRITTEN CONSENT OF TRYLON MANUFACTURING COMPANY LTD.



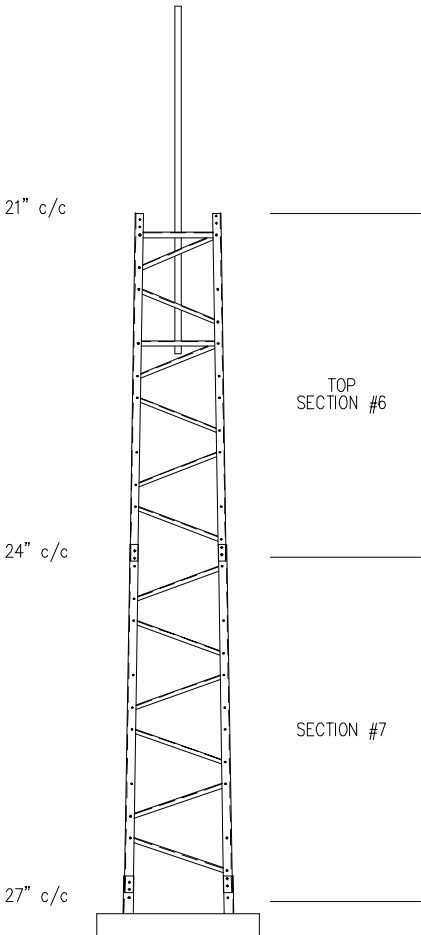
CUSTOMER:	SITE:	SCALE:
DATE: 06 MAR 07	BY: MRH	APP: JB
TITLE: 16FT T200 TITAN TOWER		DRAWING NO. 000001.610.0051





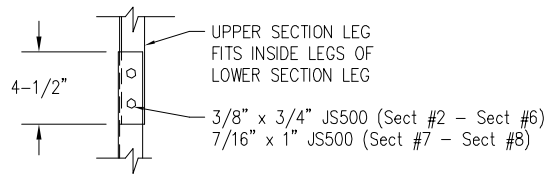


16' T600 TITAN TOWER  
(P/N 4.95.0601.000)

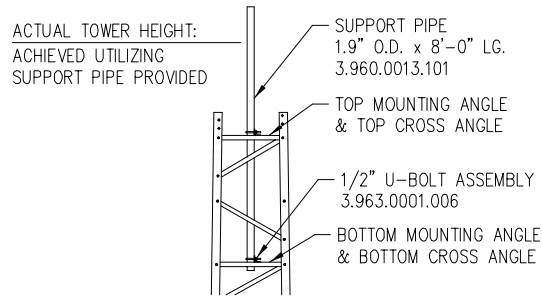


MAXIMUM ALLOWABLE ANTENNA AREA		
SURVIVAL DESIGN NO ICE (ROUND/FLAT)		
70mph WIND	85mph WIND	100mph WIND
87/58 (sqft)	55/36 (sqft)	36/24 (sqft)

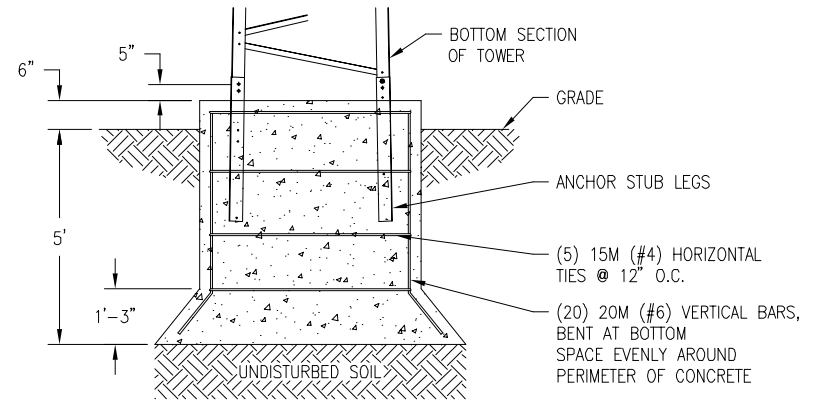
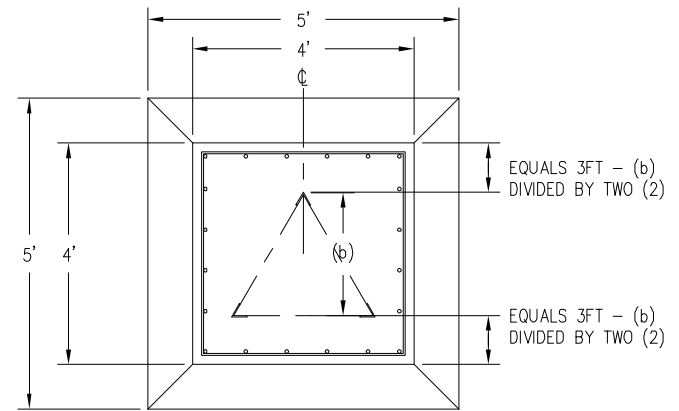
SECTION SPLICE



TOP ELEVATION



FOUNDATION DESIGN (NORMAL DRY SOIL)



FOUNDATION LOADS:  
MAX. OVERTURNING MOMENT (K\*FT) = 28.00  
MAX. SHEAR (kips) = 1.0  
DESIGN UPLIFT PER INDIVIDUAL LEG (kips) = 14.0

CONCRETE VOLUME:  
4.0 CUBIC YARDS

CONFIDENTIAL: ALL INTELLECTUAL PROPERTY RIGHTS HEREIN ARE THE PROPERTY OF TRYLON MANUFACTURING COMPANY LTD. ALL DUPLICATION, RECORDING, DISCLOSURE OR USE IS PROHIBITED WITHOUT WRITTEN CONSENT OF TRYLON MANUFACTURING COMPANY LTD.

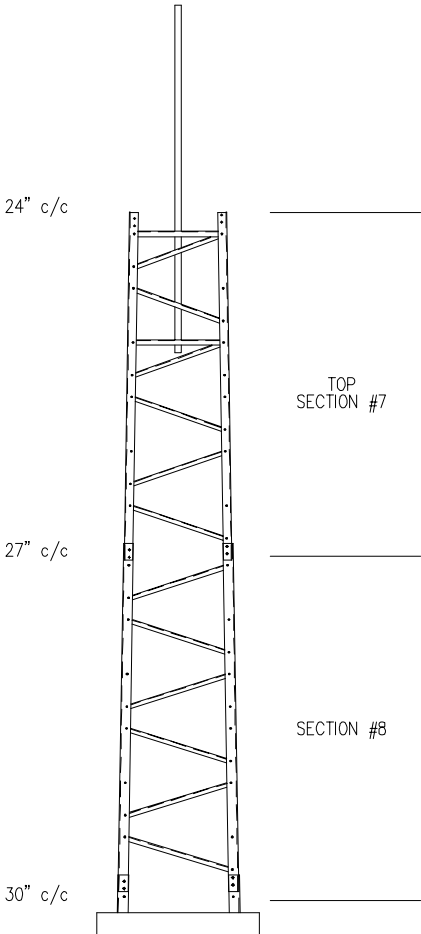


- NOTES:
- 1) PRE-ASSEMBLED PART NUMBER 4.95.0601.000.
  - 2) MAX. ANTENNA LOADS ARE CENTRALLY LOCATED AND BALANCED, 3FT OR LESS ABOVE THE TOWER TOP.
  - 3) "SURVIVAL" DESIGN IS NOT THE SAME AS EIA-222. FOR EIA COMPLIANCE SEE OUR SUPERTITAN MODELS.
  - 4) MINIMUM 32ksi YIELD FOR ALL COMPONENTS.
  - 5) CONSTRUCTED FROM PASSIVATED G-90 COAT GALVANIZED STEEL SHEET.
  - 6) TOWERS COME ASSEMBLED IN 8FT SECTIONS.
  - 7) TOP SUPPORT PIPE IS INCLUDED.
  - 8) FOR OPTIONAL ROCK BOLT FOUNDATION SEE DWG 000001.610.0033 AND 000001.610.0021.

REV.	REV. BY:	CHK. BY:	DESCRIPTION	DATE
A	MRH	CR	ISSUED FOR DISTRIBUTION	5 APR 07

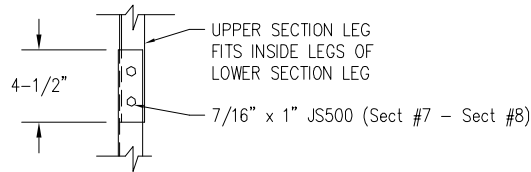
CUSTOMER:		SITE:		SCALE: 35,000	
DATE: 06 MAR 07	BY: MRH	CHK: CR	APP: JB		
TITLE: 16FT T600 TITAN TOWER			DRAWING NO. 000001.610.0055		

16' T700 TITAN TOWER  
(P/N 4.95.0701.000)

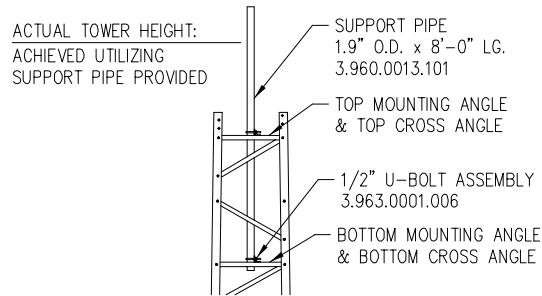


MAXIMUM ALLOWABLE ANTENNA AREA		
SURVIVAL DESIGN NO ICE (ROUND/FLAT)		
70mph WIND	85mph WIND	100mph WIND
108/72 (sqft)	69/46 (sqft)	47/31 (sqft)

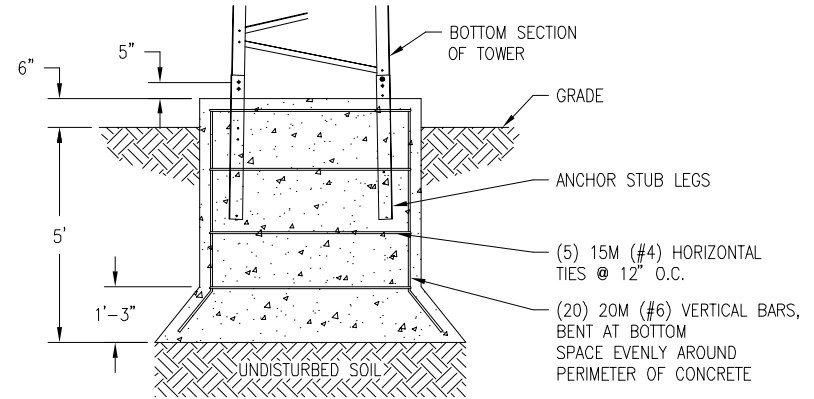
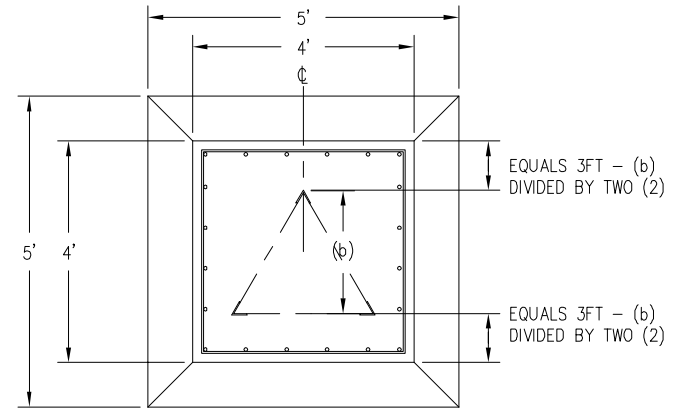
SECTION SPLICE



TOP ELEVATION



FOUNDATION DESIGN (NORMAL DRY SOIL)



FOUNDATION LOADS:  
 MAX. OVERTURNING MOMENT (K\*FT) = 28.00  
 MAX. SHEAR (kips) = 1.0  
 DESIGN UPLIFT PER INDIVIDUAL LEG (kips) = 14.0

CONCRETE VOLUME:  
 4.0 CUBIC YARDS

- NOTES:
- 1) PRE-ASSEMBLED PART NUMBER 4.95.0701.000.
  - 2) MAX. ANTENNA LOADS ARE CENTRALLY LOCATED AND BALANCED, 3FT OR LESS ABOVE THE TOWER TOP.
  - 3) "SURVIVAL" DESIGN IS NOT THE SAME AS EIA-222. FOR EIA COMPLIANCE SEE OUR SUPERTITAN MODELS.
  - 4) MINIMUM 32ksi YIELD FOR ALL COMPONENTS.
  - 5) CONSTRUCTED FROM PASSIVATED G-90 COAT GALVANIZED STEEL SHEET.
  - 6) TOWERS COME ASSEMBLED IN 8FT SECTIONS.
  - 7) TOP SUPPORT PIPE IS INCLUDED.
  - 8) FOR OPTIONAL ROCK BOLT FOUNDATION SEE DWG 000001.610.0033 AND 000001.610.0021.

REV.	REV. BY:	CHK. BY:	DESCRIPTION	DATE
A	MRH	CR	ISSUED FOR DISTRIBUTION	5 APR 07

CONFIDENTIAL: ALL INTELLECTUAL PROPERTY RIGHTS HEREIN ARE THE PROPERTY OF TRYLON MANUFACTURING COMPANY LTD. ALL DUPLICATION, RECORDING, DISCLOSURE OR USE IS PROHIBITED WITHOUT WRITTEN CONSENT OF TRYLON MANUFACTURING COMPANY LTD.



CUSTOMER:	SITE:	SCALE:	35,000
DATE: 06 MAR 07	BY: MRH	CHK: CR	APP: JB
TITLE: 16FT T700 TITAN TOWER			DRAWING NO. 000001.610.0056

