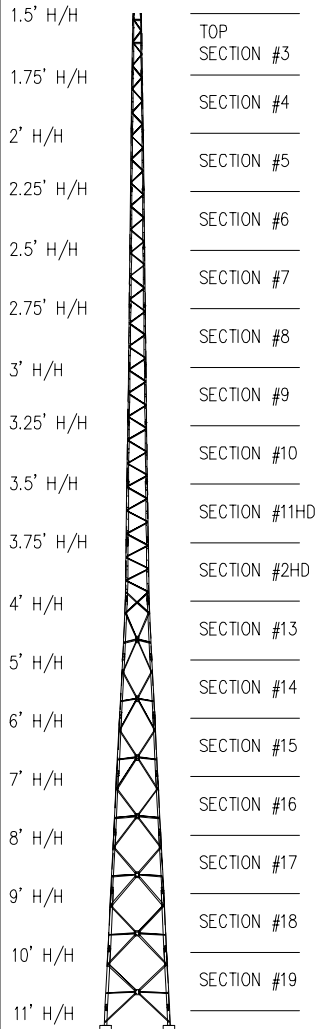


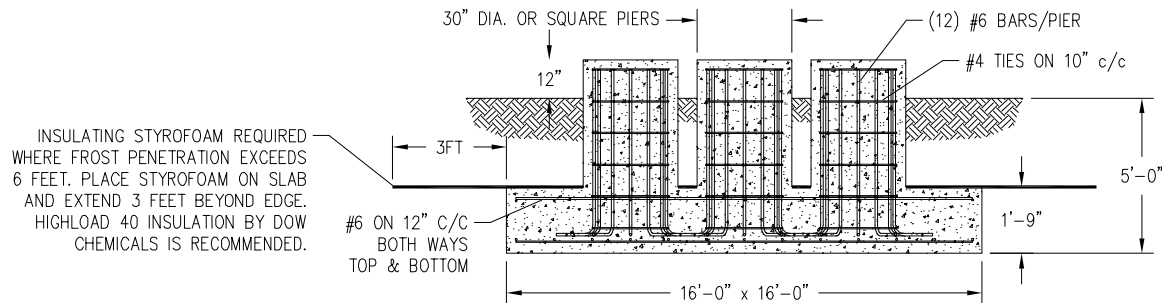
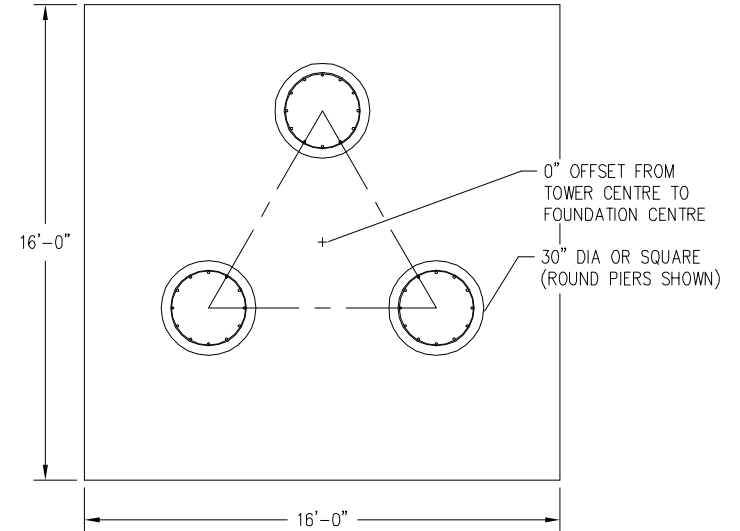
170FT S300 SUPERTITAN TOWER



MAXIMUM ALLOWABLE ANTENNA AREA - PER CSA-S37-01									
C A N N A D A	ROUND ANTENNA MEMBER / FLAT ANTENNA MEMBER								
	CLASS 1 (10mm ICE)			CLASS 1 (25mm ICE)			CLASS 3 (25mm ICE)		
	350Pa	450Pa	550Pa	350Pa	450Pa	550Pa	350Pa	450Pa	550Pa
11/7	-/-	-/-	11/7	-/-	-/-	34/23	12/8	-/-	

FOUNDATION LOADS:
 MAX. OVERTURNING MOMENT (K*FT) =
 MAX. SHEAR (kips) =
 MAX. AXIAL (kips) =

FOUNDATION DESIGN (NORMAL DRY SOIL)



INSULATING STYROFOAM REQUIRED WHERE FROST PENETRATION EXCEEDS 6 FEET. PLACE STYROFOAM ON SLAB AND EXTEND 3 FEET BEYOND EDGE. HIGHLOAD 40 INSULATION BY DOW CHEMICALS IS RECOMMENDED.

CUBIC YARDS of CONCRETE				
PAD	RND PIER	SQ PIER	TOTAL RND	TOTAL SQ
16.59	0.77	0.98	18.91	19.54

- NOTES: 1) KNOCK-DOWN PART NUMBER 5.94.S300.170.
 2) PRE-ASSEMBLED PART NUMBER: NOT AVAILABLE.
 3) ANTENNA LOADS ARE CENTRALLY LOCATED AND BALANCED, 3-FT OR LESS ABOVE THE TOWER TOP.
 4) WIND LOADING ASSUMES (1) 1/2" TRANSMISSION LINE PER 10 SQ.FT. OF ROUND MEMBER ANTENNA AREA.

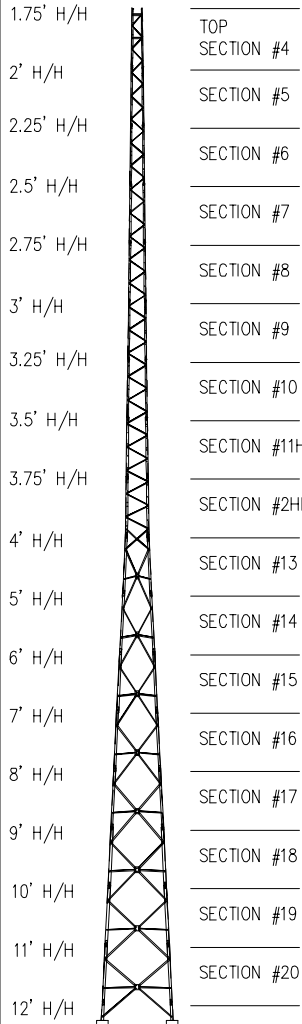
CONFIDENTIAL: ALL INTELLECTUAL PROPERTY RIGHTS HEREIN ARE THE PROPERTY OF TRYLON MANUFACTURING COMPANY LTD. ALL DUPLICATION, RECORDING, DISCLOSURE OR USE IS PROHIBITED WITHOUT WRITTEN CONSENT OF TRYLON MANUFACTURING COMPANY LTD.



CUSTOMER:	SITE:	SCALE: 260,000
DATE: 19 FEB 07	BY: EP	CHK: APP:
TITLE: 170FT S300 SUPERTITAN TOWER		DRAWING NO. 000001.620.0394

REV.	REV. BY:	CHK. BY:	DESCRIPTION	DATE

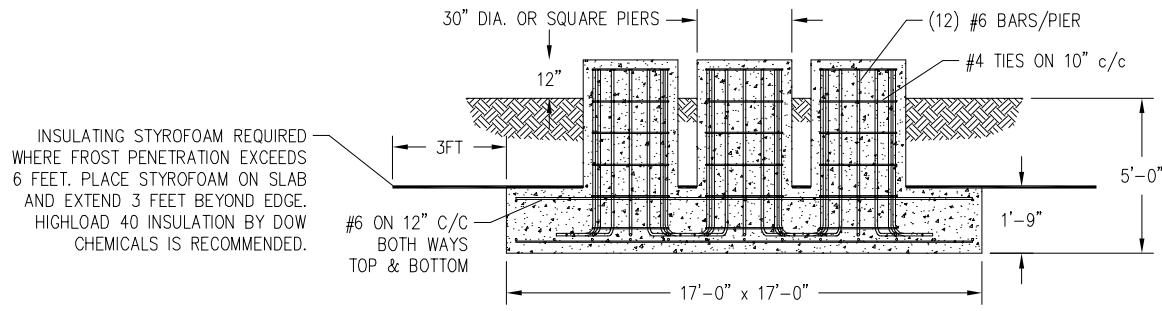
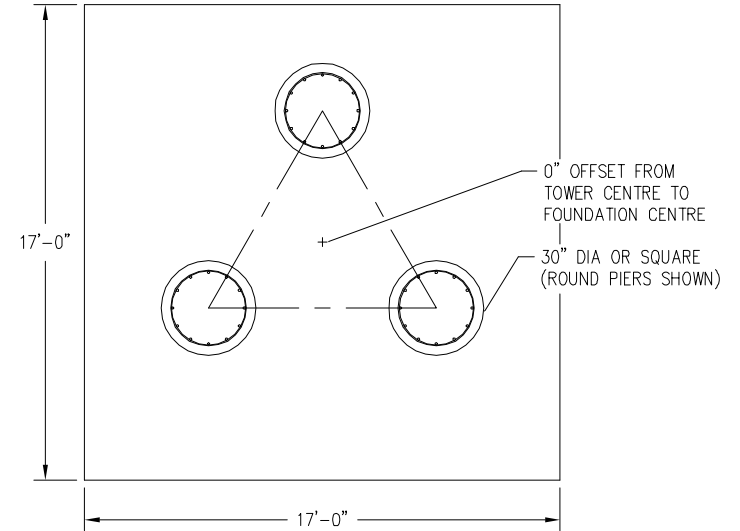
170FT S400 SUPERTITAN TOWER



MAXIMUM ALLOWABLE ANTENNA AREA - PER CSA-S37-01									
C A N N A D A	ROUND ANTENNA MEMBER / FLAT ANTENNA MEMBER								
	CLASS 1 (10mm ICE)			CLASS 1 (25mm ICE)			CLASS 3 (25mm ICE)		
	350Pa	450Pa	550Pa	350Pa	450Pa	550Pa	350Pa	450Pa	550Pa
23/16	-/-	-/-	23/16	-/-	-/-	51/34	26/17	1/1	

FOUNDATION LOADS:
 MAX. OVERTURNING MOMENT (K*FT) =
 MAX. SHEAR (kips) =
 MAX. AXIAL (kips) =

FOUNDATION DESIGN (NORMAL DRY SOIL)



CUBIC YARDS of CONCRETE				
PAD	RND PIER	SQ PIER	TOTAL RND	TOTAL SQ
18.73	0.77	0.98	21.05	21.68

- NOTES: 1) KNOCK-DOWN PART NUMBER 5.94.S400.170.
 2) PRE-ASSEMBLED PART NUMBER: NOT AVAILABLE.
 3) ANTENNA LOADS ARE CENTRALLY LOCATED AND BALANCED, 3-FT OR LESS ABOVE THE TOWER TOP.
 4) WIND LOADING ASSUMES (1) 1/2" TRANSMISSION LINE PER 10 SQ.FT. OF ROUND MEMBER ANTENNA AREA.

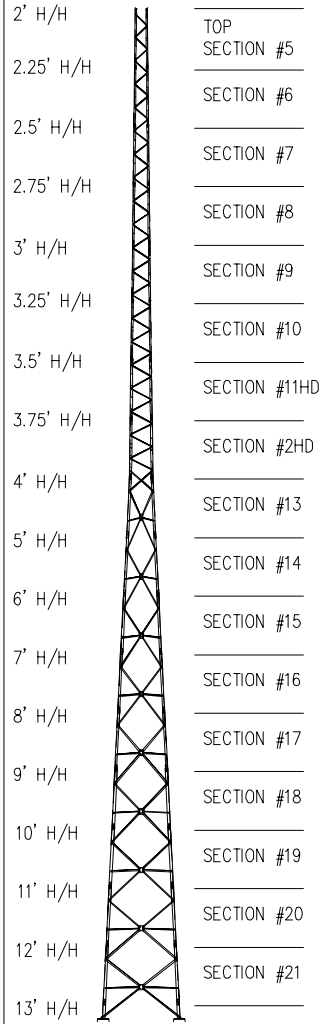
CONFIDENTIAL: ALL INTELLECTUAL PROPERTY RIGHTS HEREIN ARE THE PROPERTY OF TRYLON MANUFACTURING COMPANY LTD. ALL DUPLICATION, RECORDING, DISCLOSURE OR USE IS PROHIBITED WITHOUT WRITTEN CONSENT OF TRYLON MANUFACTURING COMPANY LTD.



CUSTOMER:	SITE:	SCALE:
DATE: 19 FEB 07	BY: EP	APP:
TITLE: 170FT S400 SUPERTITAN TOWER		DRAWING NO. 000001.620.0395

REV.	REV. BY:	CHK. BY:	DESCRIPTION	DATE

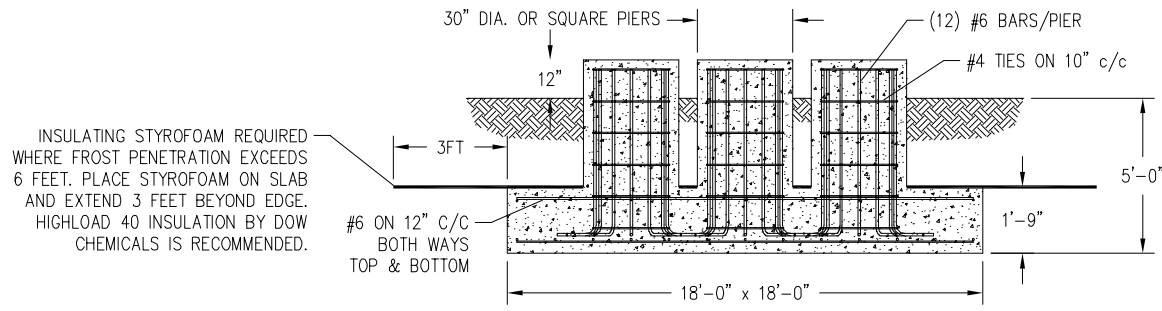
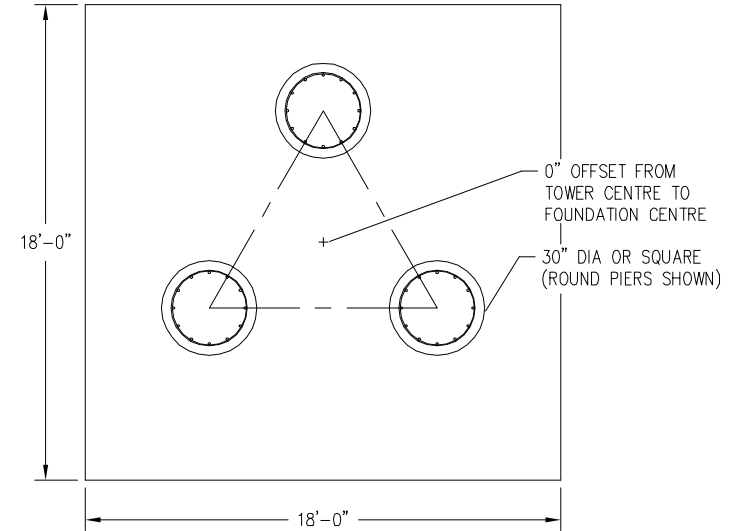
170FT S500 SUPERTITAN TOWER



MAXIMUM ALLOWABLE ANTENNA AREA - PER CSA-S37-01									
C A N N A D A	ROUND ANTENNA MEMBER / FLAT ANTENNA MEMBER								
	CLASS 1 (10mm ICE)			CLASS 1 (25mm ICE)			CLASS 3 (25mm ICE)		
	350Pa	450Pa	550Pa	350Pa	450Pa	550Pa	350Pa	450Pa	550Pa
35/25	8/5	-/-	31/22	8/5	-/-	74/49	40/27	14/9	

FOUNDATION LOADS:
 MAX. OVERTURNING MOMENT (K*FT) =
 MAX. SHEAR (kips) =
 MAX. AXIAL (kips) =

FOUNDATION DESIGN (NORMAL DRY SOIL)



INSULATING STYROFOAM REQUIRED WHERE FROST PENETRATION EXCEEDS 6 FEET. PLACE STYROFOAM ON SLAB AND EXTEND 3 FEET BEYOND EDGE. HIGHLOAD 40 INSULATION BY DOW CHEMICALS IS RECOMMENDED.

CUBIC YARDS of CONCRETE				
PAD	RND PIER	SQ PIER	TOTAL RND	TOTAL SQ
21.00	0.77	0.98	23.32	23.95

- NOTES: 1) KNOCK-DOWN PART NUMBER 5.94.S500.170.
 2) PRE-ASSEMBLED PART NUMBER: NOT AVAILABLE.
 3) ANTENNA LOADS ARE CENTRALLY LOCATED AND BALANCED, 3-FT OR LESS ABOVE THE TOWER TOP.
 4) WIND LOADING ASSUMES (1) 1/2" TRANSMISSION LINE PER 10 SQ.FT. OF ROUND MEMBER ANTENNA AREA.

REV.	REV. BY:	CHK. BY:	DESCRIPTION	DATE

CONFIDENTIAL: ALL INTELLECTUAL PROPERTY RIGHTS HEREIN ARE THE PROPERTY OF TRYLON MANUFACTURING COMPANY LTD. ALL DUPLICATION, RECORDING, DISCLOSURE OR USE IS PROHIBITED WITHOUT WRITTEN CONSENT OF TRYLON MANUFACTURING COMPANY LTD.



CUSTOMER:	SITE:	SCALE: 260,000
DATE: 19 FEB 07	BY: EP	CHK: APP:
TITLE: 170FT S500 SUPERTITAN TOWER		DRAWING NO. 000001.620.0396