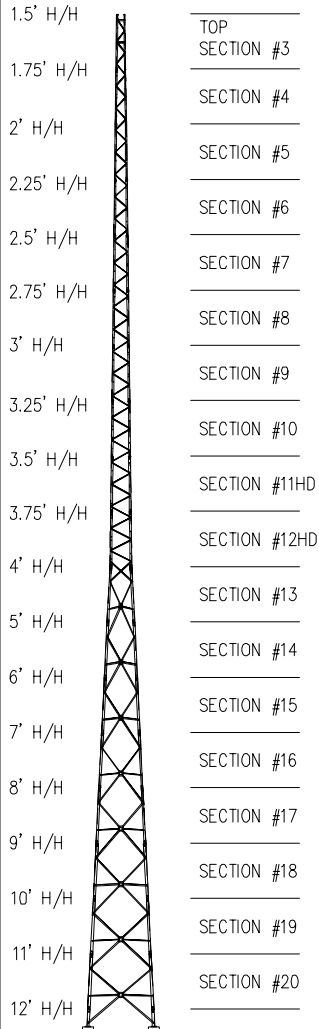


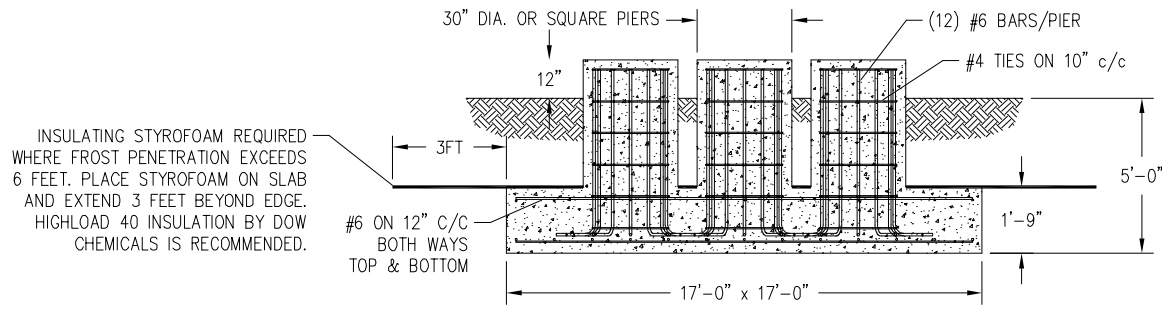
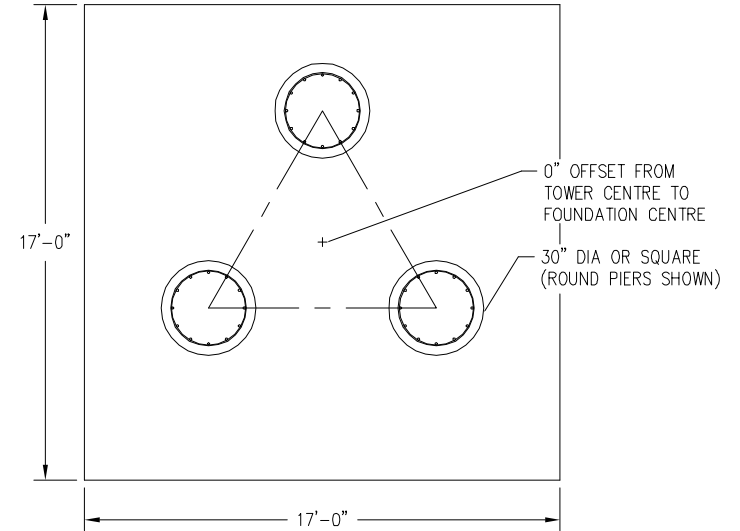
180FT S300 SUPERTITAN TOWER



MAXIMUM ALLOWABLE ANTENNA AREA - PER CSA-S37-01									
C A N T A N A	ROUND ANTENNA MEMBER / FLAT ANTENNA MEMBER								
	CLASS 1 (10mm ICE)			CLASS 1 (25mm ICE)			CLASS 3 (25mm ICE)		
	350Pa	450Pa	550Pa	350Pa	450Pa	550Pa	350Pa	450Pa	550Pa
10/7	-/-	-/-	10/7	-/-	-/-	32/21	12/8	-/-	

FOUNDATION LOADS:
 MAX. OVERTURNING MOMENT (K*FT) =
 MAX. SHEAR (kips) =
 MAX. AXIAL (kips) =

FOUNDATION DESIGN (NORMAL DRY SOIL)



CUBIC YARDS of CONCRETE				
PAD	RND PIER	SQ PIER	TOTAL RND	TOTAL SQ
18.73	0.77	0.98	21.05	21.68

- NOTES: 1) KNOCK-DOWN PART NUMBER 5.94.S300.180.
 2) PRE-ASSEMBLED PART NUMBER: NOT AVAILABLE.
 3) ANTENNA LOADS ARE CENTRALLY LOCATED AND BALANCED, 3-FT OR LESS ABOVE THE TOWER TOP.
 4) WIND LOADING ASSUMES (1) 1/2" TRANSMISSION LINE PER 10 SQ.FT. OF ROUND MEMBER ANTENNA AREA.

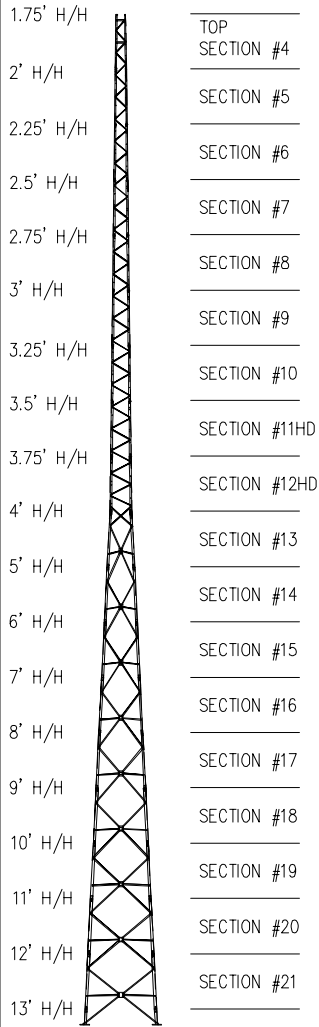
CONFIDENTIAL: ALL INTELLECTUAL PROPERTY RIGHTS HEREIN ARE THE PROPERTY OF TRYLON MANUFACTURING COMPANY LTD. ALL DUPLICATION, RECORDING, DISCLOSURE OR USE IS PROHIBITED WITHOUT WRITTEN CONSENT OF TRYLON MANUFACTURING COMPANY LTD.



CUSTOMER:	SITE:	SCALE:
DATE: 19 FEB 07	BY: EP	CHK: APP:
TITLE: 180FT S300 SUPERTITAN TOWER		DRAWING NO. 000001.620.0397

REV.	REV. BY:	CHK. BY:	DESCRIPTION	DATE

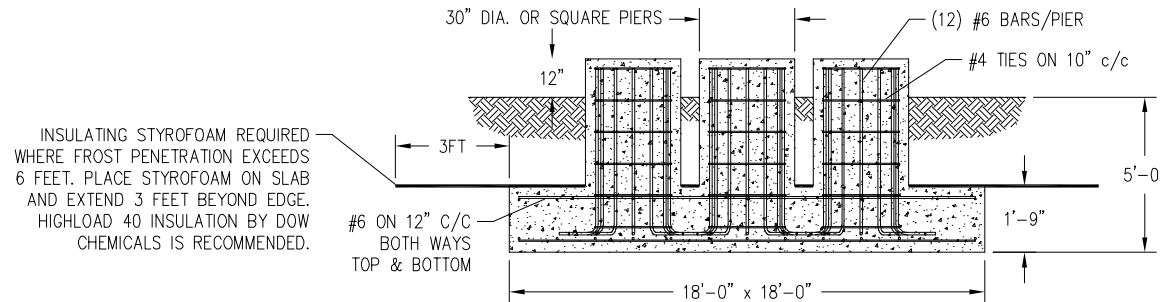
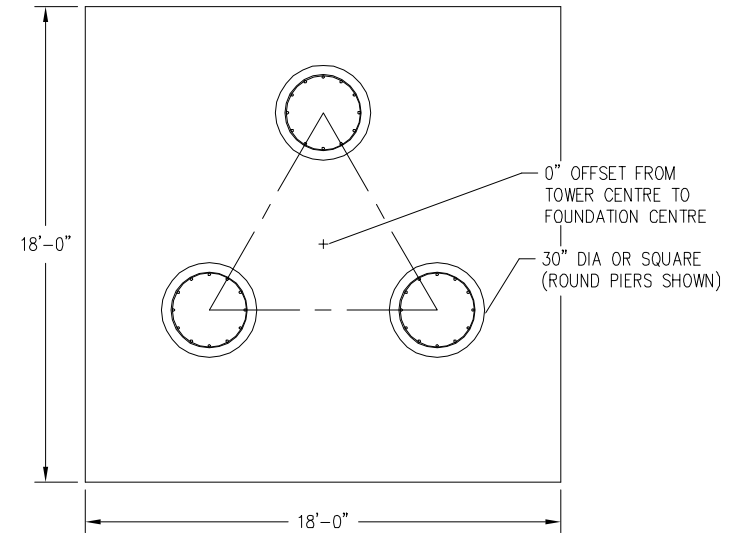
180FT S400 SUPERTITAN TOWER



C A N N A D A	MAXIMUM ALLOWABLE ANTENNA AREA - PER CSA-S37-01								
	ROUND ANTENNA MEMBER / FLAT ANTENNA MEMBER								
	CLASS 1 (10mm ICE)			CLASS 1 (25mm ICE)			CLASS 3 (25mm ICE)		
	350Pa	450Pa	550Pa	350Pa	450Pa	550Pa	350Pa	450Pa	550Pa
	21/15	-/-	-/-	21/15	-/-	-/-	21/15	-/-	-/-

FOUNDATION LOADS:
 MAX. OVERTURNING MOMENT (K*FT) =
 MAX. SHEAR (kips) =
 MAX. AXIAL (kips) =

FOUNDATION DESIGN (NORMAL DRY SOIL)



CUBIC YARDS of CONCRETE				
PAD	RND PIER	SQ PIER	TOTAL RND	TOTAL SQ
21.00	0.77	0.98	23.32	23.95

- NOTES: 1) KNOCK-DOWN PART NUMBER 5.94.S400.180.
 2) PRE-ASSEMBLED PART NUMBER: NOT AVAILABLE.
 3) ANTENNA LOADS ARE CENTRALLY LOCATED AND BALANCED, 3-FT OR LESS ABOVE THE TOWER TOP.
 4) WIND LOADING ASSUMES (1) 1/2" TRANSMISSION LINE PER 10 SQ.FT. OF ROUND MEMBER ANTENNA AREA.

CONFIDENTIAL: ALL INTELLECTUAL PROPERTY RIGHTS HEREIN ARE THE PROPERTY OF TRYLON MANUFACTURING COMPANY LTD. ALL DUPLICATION, RECORDING, DISCLOSURE OR USE IS PROHIBITED WITHOUT WRITTEN CONSENT OF TRYLON MANUFACTURING COMPANY LTD.



CUSTOMER:	SITE:	SCALE:
DATE:	BY:	APP:
19 FEB 07	EP	
TITLE:	DRAWING NO.	
180FT S400 SUPERTITAN TOWER	000001.620.0398	

REV.	REV. BY:	CHK. BY:	DESCRIPTION	DATE