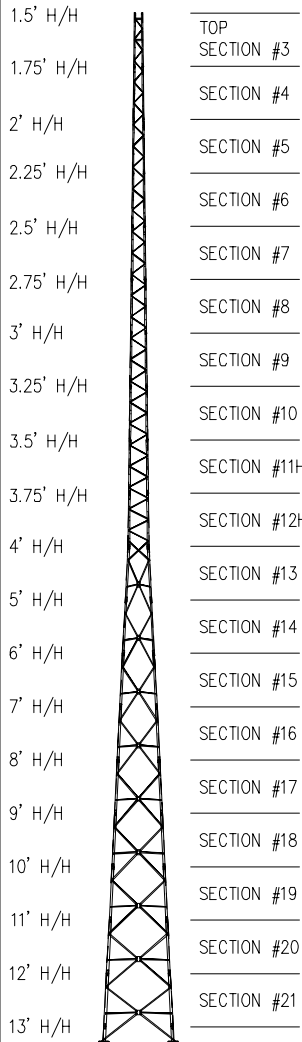


190FT S300 SUPERTITAN TOWER



MAXIMUM ALLOWABLE ANTENNA AREA - PER CSA-S37-01									
ROUND ANTENNA MEMBER / FLAT ANTENNA MEMBER									
C A N N A D A	CLASS 1 (10mm ICE)			CLASS 1 (25mm ICE)			CLASS 3 (25mm ICE)		
	350Pa	450Pa	550Pa	350Pa	450Pa	550Pa	350Pa	450Pa	550Pa
	10/7	-/-	-/-	10/7	-/-	-/-	30/20	12/8	-/-

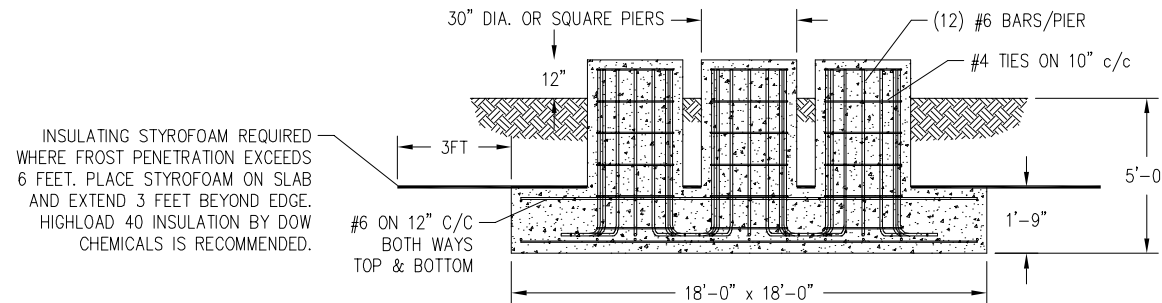
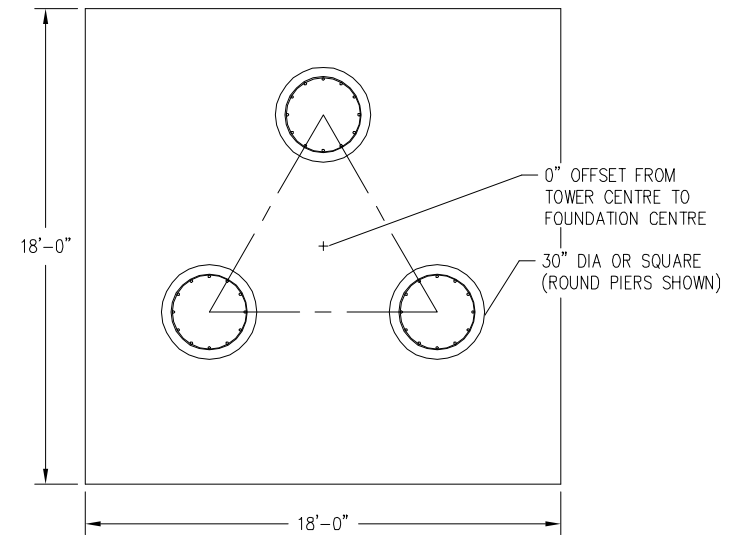
FOUNDATION LOADS:

MAX. OVERTURNING MOMENT (K*FT) =

MAX. SHEAR (kips) =

MAX. AXIAL (kips) =

FOUNDATION DESIGN (NORMAL DRY SOIL)



CUBIC YARDS of CONCRETE				
PAD	RND PIER	SQ PIER	TOTAL RND	TOTAL SQ
21.00	0.77	0.98	23.32	23.95

- NOTES: 1) KNOCK-DOWN PART NUMBER 5.94.S300.190.
 2) PRE-ASSEMBLED PART NUMBER: NOT AVAILABLE.
 3) ANTENNA LOADS ARE CENTRALLY LOCATED AND BALANCED, 3-FT OR LESS ABOVE THE TOWER TOP.
 4) WIND LOADING ASSUMES (1) 1/2" TRANSMISSION LINE PER 10 SQ.FT. OF ROUND MEMBER ANTENNA AREA.

REV.	REV. BY:	CHK. BY:	DESCRIPTION	DATE

CONFIDENTIAL: ALL INTELLECTUAL PROPERTY RIGHTS HEREIN ARE THE PROPERTY OF TRYLON MANUFACTURING COMPANY LTD. ALL DUPLICATION, RECORDING, DISCLOSURE OR USE IS PROHIBITED WITHOUT WRITTEN CONSENT OF TRYLON MANUFACTURING COMPANY LTD.



CUSTOMER:		SITE:	SCALE: 285.000	
DATE: 19 FEB 07	BY: EP	CHK:	APP:	
TITLE: 190FT S300 SUPERTITAN TOWER			DRAWING NO. 000001.620.0399	