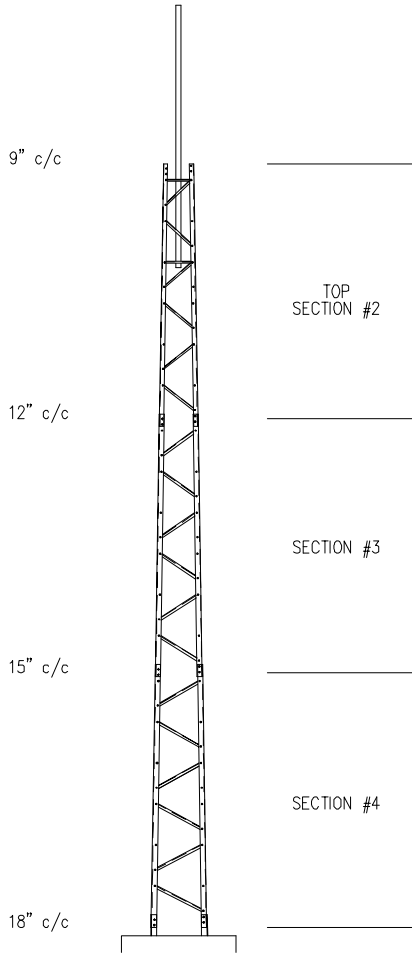
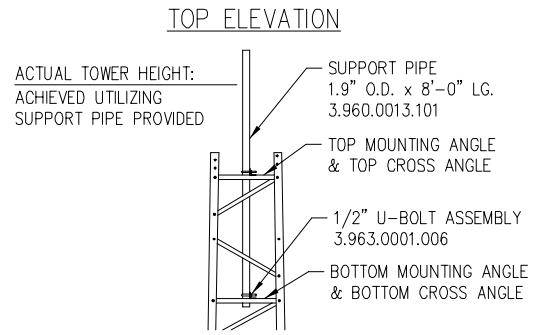
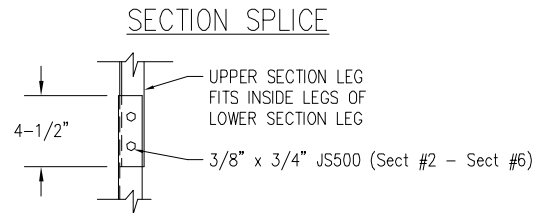


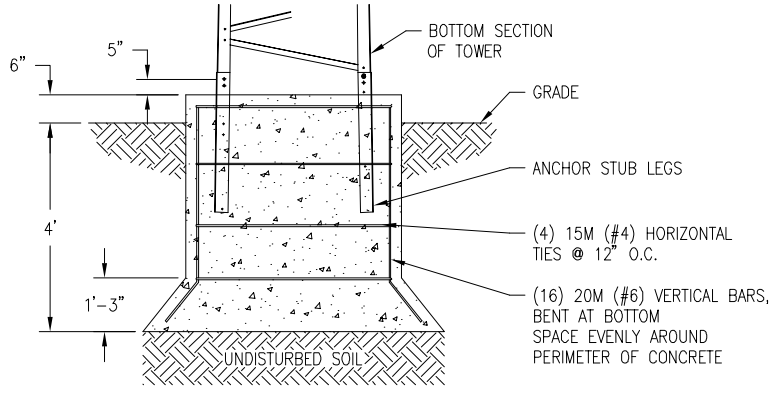
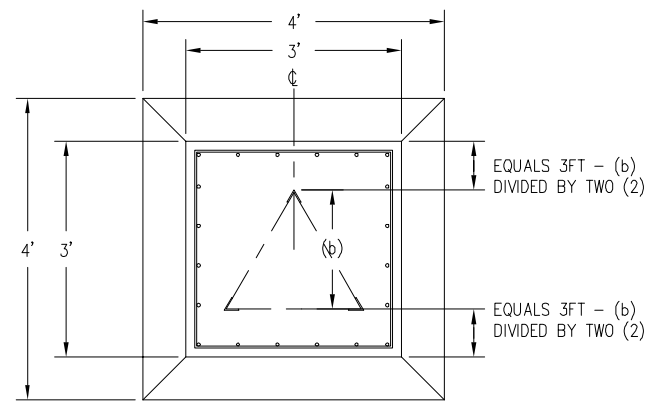
24' T200 TITAN TOWER
(P/N 4.95.0202.000)



MAXIMUM ALLOWABLE ANTENNA AREA		
SURVIVAL DESIGN NO ICE (ROUND/FLAT)		
70mph WIND	85mph WIND	100mph WIND
16/11 (sqft)	8/6 (sqft)	3/2 (sqft)



FOUNDATION DESIGN (NORMAL DRY SOIL)



FOUNDATION LOADS:
 MAX. OVERTURNING MOMENT (K*FT) = 17.00
 MAX. SHEAR (kips) = 0.7
 DESIGN UPLIFT PER INDIVIDUAL LEG (kips) = 10.0

CONCRETE VOLUME:
 2.0 CUBIC YARDS

CONFIDENTIAL: ALL INTELLECTUAL PROPERTY RIGHTS HEREIN ARE THE PROPERTY OF TRYLON MANUFACTURING COMPANY LTD. ALL DUPLICATION, RECORDING, DISCLOSURE OR USE IS PROHIBITED WITHOUT WRITTEN CONSENT OF TRYLON MANUFACTURING COMPANY LTD.



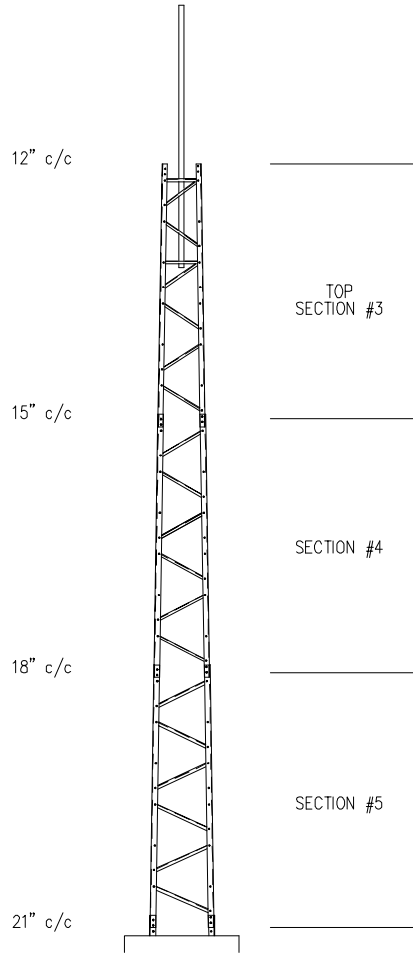
- NOTES:
- 1) PRE-ASSEMBLED PART NUMBER 4.95.0202.000.
 - 2) MAX. ANTENNA LOADS ARE CENTRALLY LOCATED AND BALANCED, 3FT OR LESS ABOVE THE TOWER TOP.
 - 3) "SURVIVAL" DESIGN IS NOT THE SAME AS EIA-222. FOR EIA COMPLIANCE SEE OUR SUPERTITAN MODELS.
 - 4) MINIMUM 32ksi YIELD FOR ALL COMPONENTS.
 - 5) CONSTRUCTED FROM PASSIVATED G-90 COAT GALVANIZED STEEL SHEET.
 - 6) TOWERS COME ASSEMBLED IN 8FT SECTIONS.
 - 7) TOP SUPPORT PIPE IS INCLUDED.
 - 8) FOR OPTIONAL ROCK BOLT FOUNDATION SEE DWG 000001.610.0033 AND 000001.610.0021.

A	MRH	CR	ISSUED FOR DISTRIBUTION	5 APR 07
REV.	REV. BY:	CHK. BY:	DESCRIPTION	DATE

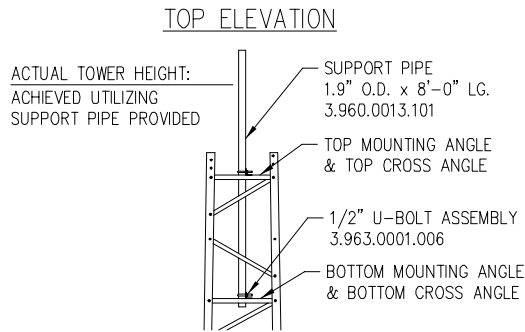
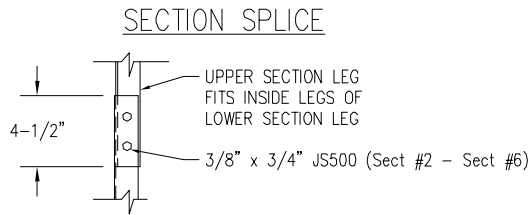
CUSTOMER:	SITE:	SCALE:	45.000
DATE: 06 MAR 07	BY: MRH	CHK: CR	APP: JB
TITLE: 24' T200 TITAN TOWER			DRAWING NO. 000001.610.0058

\\ENG-SERVER\pmp\media\VALU...610.0058.1.dwg...5/7/2007 4:12:15 PM...MARCOUSH

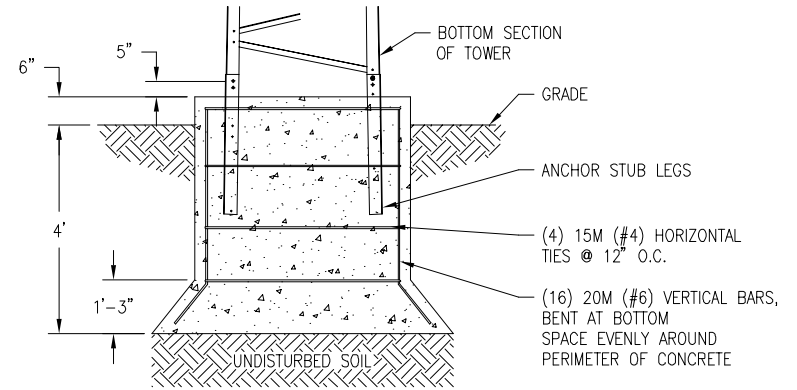
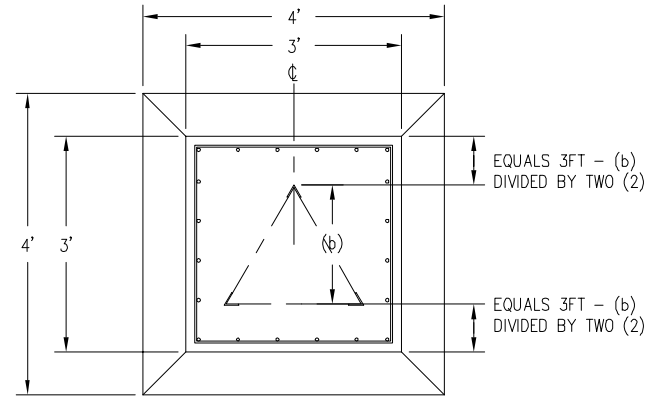
24' T300 TITAN TOWER
(P/N 4.95.0302.000)



MAXIMUM ALLOWABLE ANTENNA AREA		
SURVIVAL DESIGN NO ICE (ROUND/FLAT)		
70mph WIND	85mph WIND	100mph WIND
24/16 (sqft)	12/8 (sqft)	5/3 (sqft)



FOUNDATION DESIGN (NORMAL DRY SOIL)



FOUNDATION LOADS:
MAX. OVERTURNING MOMENT (K*FT) = 17.00
MAX. SHEAR (kips) = 0.7
DESIGN UPLIFT PER INDIVIDUAL LEG (kips) = 10.0

CONCRETE VOLUME:
2.0 CUBIC YARDS

CONFIDENTIAL: ALL INTELLECTUAL PROPERTY RIGHTS HEREIN ARE THE PROPERTY OF TRYLON MANUFACTURING COMPANY LTD. ALL DUPLICATION, RECORDING, DISCLOSURE OR USE IS PROHIBITED WITHOUT WRITTEN CONSENT OF TRYLON MANUFACTURING COMPANY LTD.

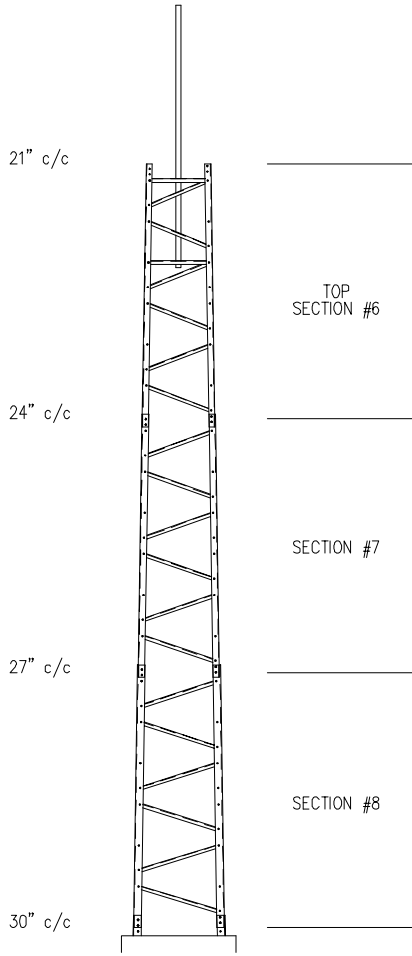


- NOTES:
- 1) PRE-ASSEMBLED PART NUMBER 4.95.0302.000.
 - 2) MAX. ANTENNA LOADS ARE CENTRALLY LOCATED AND BALANCED, 3FT OR LESS ABOVE THE TOWER TOP.
 - 3) "SURVIVAL" DESIGN IN NOT THE SAME AS EIA-222. FOR EIA COMPLIANCE SEE OUR SUPERTITAN MODELS.
 - 4) MINIMUM 32ksi YIELD FOR ALL COMPONENTS.
 - 5) CONSTRUCTED FROM PASSIVATED G-90 COAT GALVANIZED STEEL SHEET.
 - 6) TOWERS COME ASSEMBLED IN 8FT SECTIONS.
 - 7) TOP SUPPORT PIPE IS INCLUDED.
 - 8) FOR OPTIONAL ROCK BOLT FOUNDATION SEE DWG 000001.610.0033 AND 000001.610.0021.

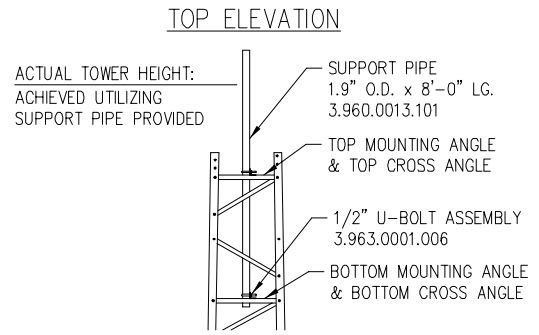
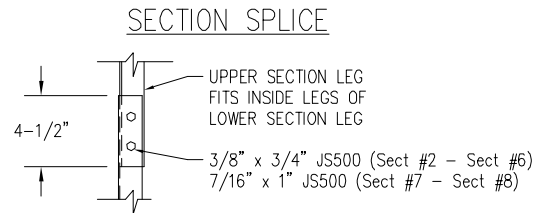
A	MRH	CR	ISSUED FOR DISTRIBUTION	5 APR 07
REV.	REV. BY:	CHK. BY:	DESCRIPTION	DATE

CUSTOMER:	SITE:	SCALE:
DATE: 06 MAR 07	BY: MRH	45,000
CHK: CR	APP: JB	
TITLE: 24' T300 TITAN TOWER	DRAWING NO. 000001.610.0059	

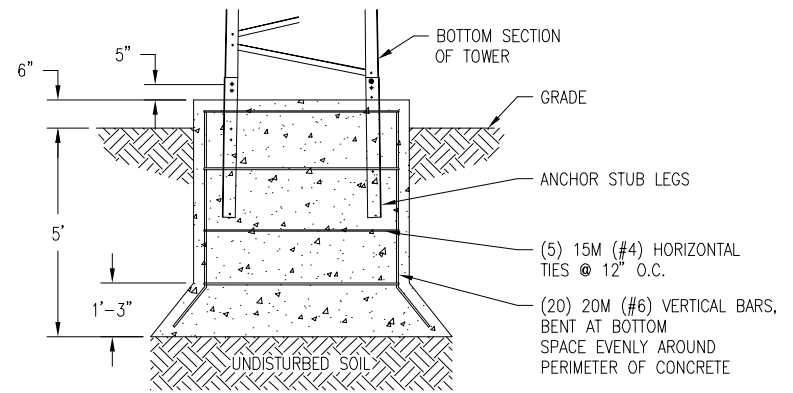
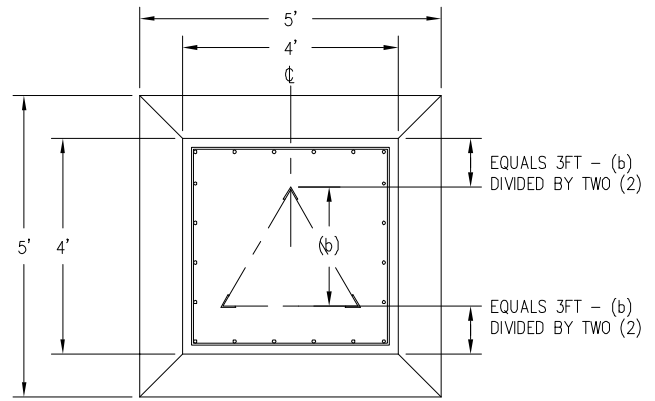
24' T600 TITAN TOWER
(P/N 4.95.0602.000)



MAXIMUM ALLOWABLE ANTENNA AREA		
SURVIVAL DESIGN NO ICE (ROUND/FLAT)		
70mph WIND	85mph WIND	100mph WIND
76/51 (sqft)	46/31 (sqft)	29/19 (sqft)



FOUNDATION DESIGN (NORMAL DRY SOIL)



FOUNDATION LOADS:
 MAX. OVERTURNING MOMENT (k*FT) = 28.00
 MAX. SHEAR (kips) = 1.0
 DESIGN UPLIFT PER INDIVIDUAL LEG (kips) = 14.0

CONCRETE VOLUME:
 4.0 CUBIC YARDS

CONFIDENTIAL: ALL INTELLECTUAL PROPERTY RIGHTS HEREIN ARE THE PROPERTY OF TRYLON MANUFACTURING COMPANY LTD. ALL DUPLICATION, RECORDING, DISCLOSURE OR USE IS PROHIBITED WITHOUT WRITTEN CONSENT OF TRYLON MANUFACTURING COMPANY LTD.



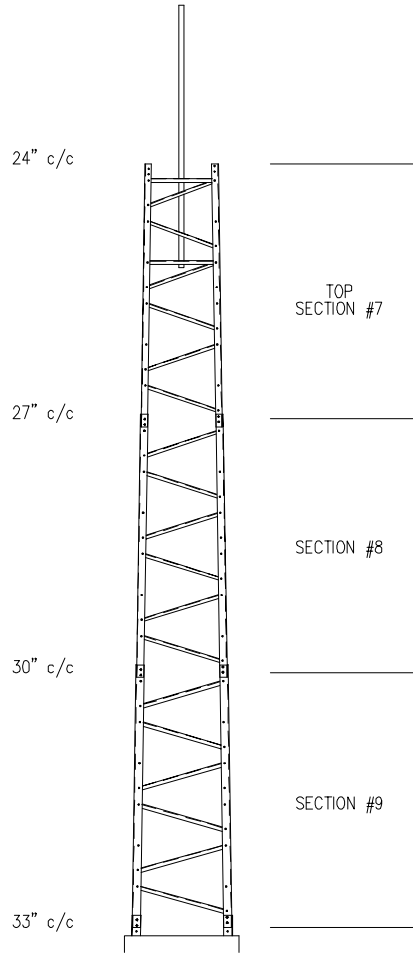
- NOTES:
- 1) PRE-ASSEMBLED PART NUMBER 4.95.0602.000.
 - 2) MAX. ANTENNA LOADS ARE CENTRALLY LOCATED AND BALANCED, 3FT OR LESS ABOVE THE TOWER TOP.
 - 3) "SURVIVAL" DESIGN IN NOT THE SAME AS EIA-222. FOR EIA COMPLIANCE SEE OUR SUPERTITAN MODELS.
 - 4) MINIMUM 32ksi YIELD FOR ALL COMPONENTS.
 - 5) CONSTRUCTED FROM PASSIVATED G-90 COAT GALVANIZED STEEL SHEET.
 - 6) TOWERS COME ASSEMBLED IN 8FT SECTIONS.
 - 7) TOP SUPPORT PIPE IS INCLUDED.
 - 8) FOR OPTIONAL ROCK BOLT FOUNDATION SEE DWG 000001.610.0033 AND 000001.610.0021.

A	MRH	CR	ISSUED FOR DISTRIBUTION	5 APR 07	
REV.	REV. BY:	CHK. BY:	DESCRIPTION	DATE	

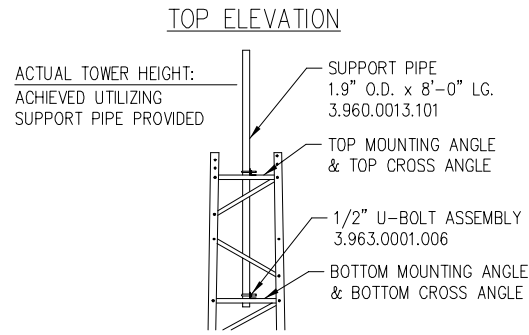
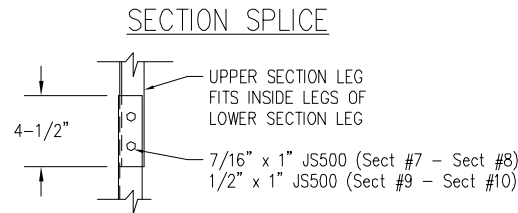
CUSTOMER:	SITE:	SCALE:
DATE: 07 MAR 07	BY: MRH	45,000
CHK: CR	APP: JB	
TITLE:	DRAWING NO.	
24' T600 TITAN TOWER	000001.610.0062	

\\ENG-SERVER\pmp\media\dwg\11\11\000001.610.0062.1.dwg - 5/17/2007 4:15:24 PM - MARC CUSH

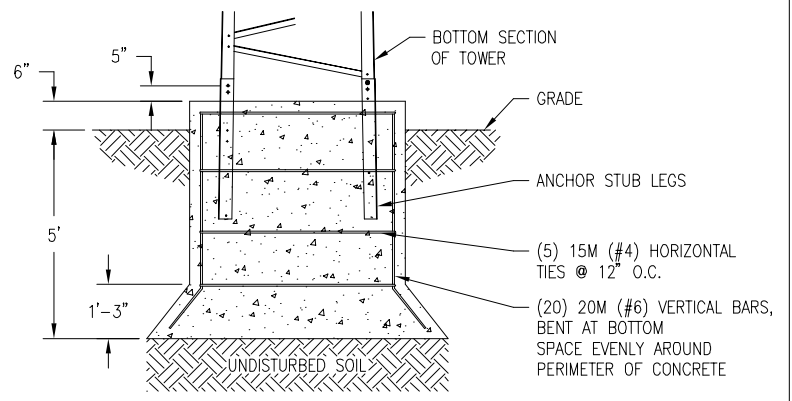
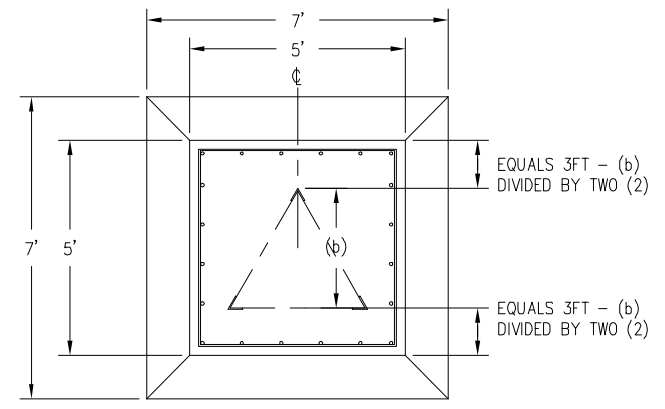
24' T700 TITAN TOWER
(P/N 4.95.0702.000)



MAXIMUM ALLOWABLE ANTENNA AREA		
SURVIVAL DESIGN NO ICE (ROUND/FLAT)		
70mph WIND	85mph WIND	100mph WIND
94/63 (sqft)	58/38 (sqft)	37/24 (sqft)



FOUNDATION DESIGN (NORMAL DRY SOIL)



FOUNDATION LOADS:
 MAX. OVERTURNING MOMENT (K*FT) = 67.00
 MAX. SHEAR (kips) = 1.7
 DESIGN UPLIFT PER INDIVIDUAL LEG (kips) = 23.0

CONCRETE VOLUME:
 6.0 CUBIC YARDS

CONFIDENTIAL: ALL INTELLECTUAL PROPERTY RIGHTS HEREIN ARE THE PROPERTY OF TRYLON MANUFACTURING COMPANY LTD. ALL DUPLICATION, RECORDING, DISCLOSURE OR USE IS PROHIBITED WITHOUT WRITTEN CONSENT OF TRYLON MANUFACTURING COMPANY LTD.



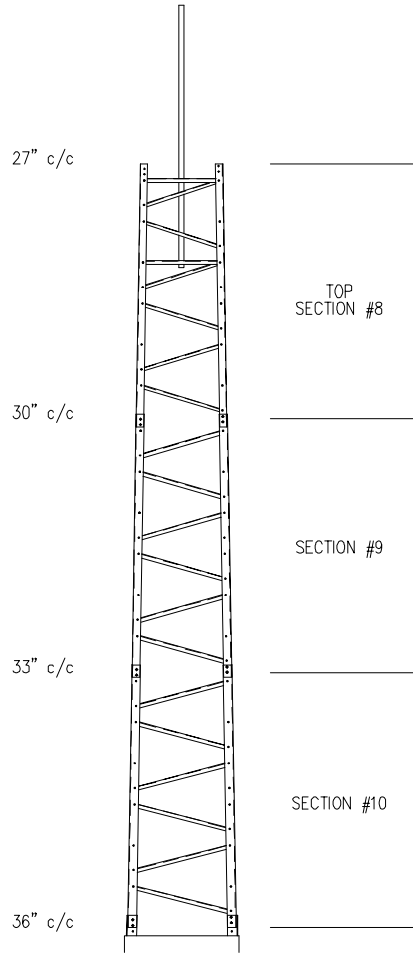
- NOTES:
- 1) PRE-ASSEMBLED PART NUMBER 4.95.0702.000.
 - 2) MAX. ANTENNA LOADS ARE CENTRALLY LOCATED AND BALANCED, 3FT OR LESS ABOVE THE TOWER TOP.
 - 3) "SURVIVAL" DESIGN IN NOT THE SAME AS EIA-222. FOR EIA COMPLIANCE SEE OUR SUPERTITAN MODELS.
 - 4) MINIMUM 32ksi YIELD FOR ALL COMPONENTS.
 - 5) CONSTRUCTED FROM PASSIVATED G-90 COAT GALVANIZED STEEL SHEET.
 - 6) TOWERS COME ASSEMBLED IN 8FT SECTIONS.
 - 7) TOP SUPPORT PIPE IS INCLUDED.
 - 8) FOR OPTIONAL ROCK BOLT FOUNDATION SEE DWG 000001.610.0033 AND 000001.610.0021.

A	MRH	CR	ISSUED FOR DISTRIBUTION	5 APR 07	
REV.	REV. BY:	CHK. BY:	DESCRIPTION	DATE	

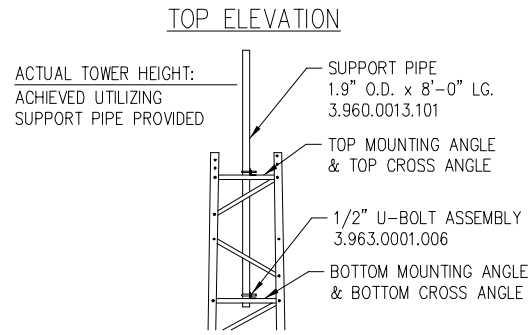
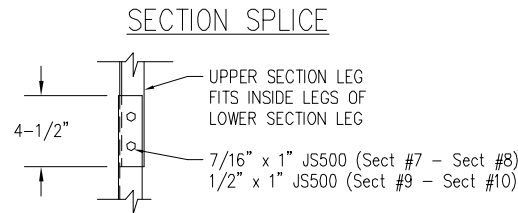
CUSTOMER:	SITE:	SCALE:	
		45.000	
DATE:	BY:	CHK:	APP:
07 MAR 07	MRH	CR	JB
TITLE:	DRAWING NO.		
24' T700 TITAN TOWER	000001.610.0063		

\\ENG-SERVER\pmp\media\VALU...610.0063.dwg - 5/7/2007 4:16:19 PM - AMAROUSSI

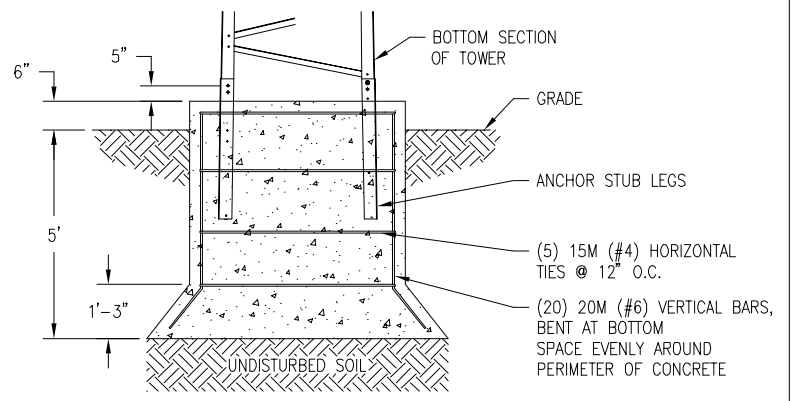
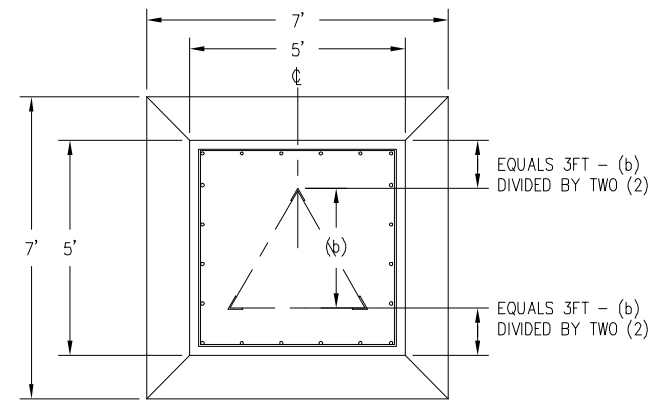
24' T800 TITAN TOWER
(P/N 4.95.0802.000)



MAXIMUM ALLOWABLE ANTENNA AREA		
SURVIVAL DESIGN NO ICE (ROUND/FLAT)		
70mph WIND	85mph WIND	100mph WIND
131/88 (sqft)	85/56 (sqft)	57/38 (sqft)



FOUNDATION DESIGN (NORMAL DRY SOIL)



FOUNDATION LOADS:
 MAX. OVERTURNING MOMENT (K*FT) = 67.00
 MAX. SHEAR (kips) = 1.7
 DESIGN UPLIFT PER INDIVIDUAL LEG (kips) = 23.0

CONCRETE VOLUME:
 6.0 CUBIC YARDS

CONFIDENTIAL: ALL INTELLECTUAL PROPERTY RIGHTS HEREIN ARE THE PROPERTY OF TRYLON MANUFACTURING COMPANY LTD. ALL DUPLICATION, RECORDING, DISCLOSURE OR USE IS PROHIBITED WITHOUT WRITTEN CONSENT OF TRYLON MANUFACTURING COMPANY LTD.



- NOTES:
- 1) PRE-ASSEMBLED PART NUMBER 4.95.0802.000.
 - 2) MAX. ANTENNA LOADS ARE CENTRALLY LOCATED AND BALANCED, 3FT OR LESS ABOVE THE TOWER TOP.
 - 3) "SURVIVAL" DESIGN IN NOT THE SAME AS EIA-222. FOR EIA COMPLIANCE SEE OUR SUPERTITAN MODELS.
 - 4) MINIMUM 32ksi YIELD FOR ALL COMPONENTS.
 - 5) CONSTRUCTED FROM PASSIVATED G-90 COAT GALVANIZED STEEL SHEET.
 - 6) TOWERS COME ASSEMBLED IN 8FT SECTIONS.
 - 7) TOP SUPPORT PIPE IS INCLUDED.
 - 8) FOR OPTIONAL ROCK BOLT FOUNDATION SEE DWG 000001.610.0033 AND 000001.610.0021.

A	MRH	CR	ISSUED FOR DISTRIBUTION	5 APR 07	
REV.	REV. BY:	CHK. BY:	DESCRIPTION	DATE	

CUSTOMER:	SITE:	SCALE:	
		45.000	
DATE:	BY:	CHK:	APP:
07 MAR 07	MRH	CR	JB
TITLE:	DRAWING NO.		
24' T800 TITAN TOWER	000001.610.0064		

\\ENG-SERVER\pmp\media\DATA\VAL\11\11\000001.610.0064.dwg, 5/7/2007 4:17:03 PM, MAMCUCUSH