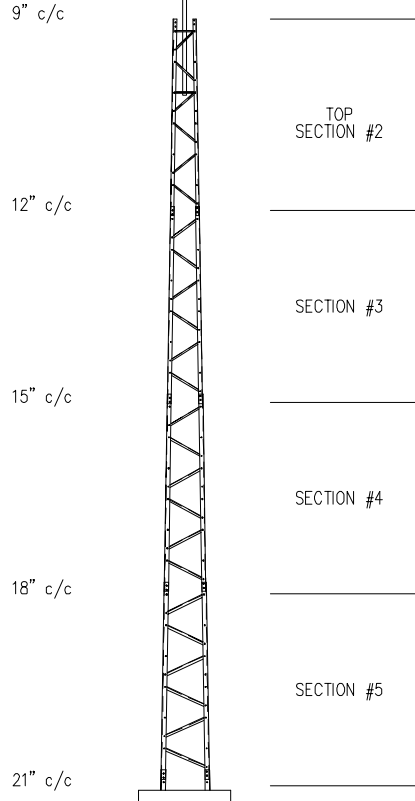


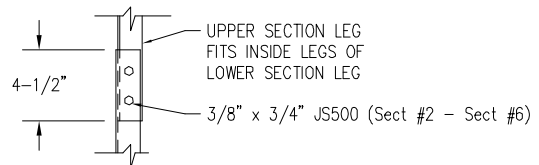
# 32' T200 TITAN TOWER

(P/N 4.95.0203.000)

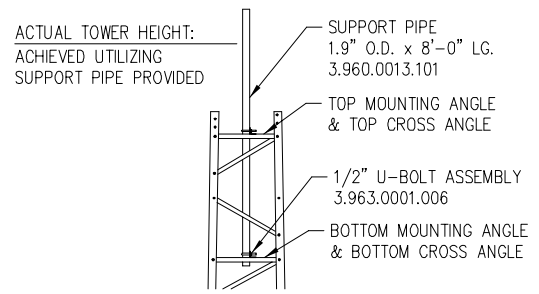


MAXIMUM ALLOWABLE ANTENNA AREA		
SURVIVAL DESIGN NO ICE (ROUND/FLAT)		
70mph WIND	85mph WIND	100mph WIND
16/10 (sqft)	6/4 (sqft)	--/--

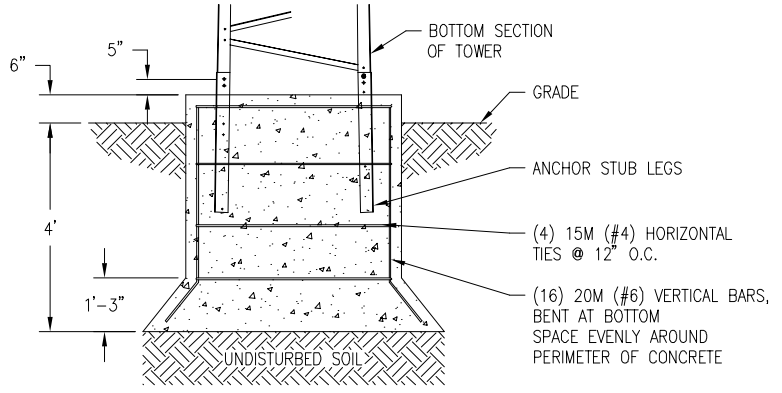
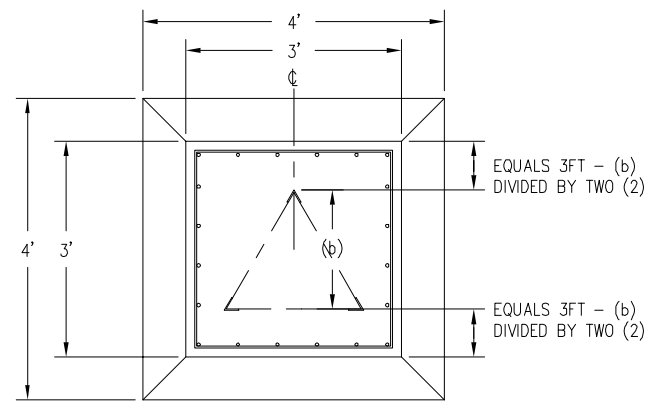
## SECTION SPLICE



## TOP ELEVATION



## FOUNDATION DESIGN (NORMAL DRY SOIL)



**FOUNDATION LOADS:**  
 MAX. OVERTURNING MOMENT (K\*FT) = 17.00  
 MAX. SHEAR (kips) = 0.7  
 DESIGN UPLIFT PER INDIVIDUAL LEG (kips) = 10.0

**CONCRETE VOLUME:**  
 2.0 CUBIC YARDS

CONFIDENTIAL: ALL INTELLECTUAL PROPERTY RIGHTS HEREIN ARE THE PROPERTY OF TRYLON MANUFACTURING COMPANY LTD. ALL DUPLICATION, RECORDING, DISCLOSURE OR USE IS PROHIBITED WITHOUT WRITTEN CONSENT OF TRYLON MANUFACTURING COMPANY LTD.



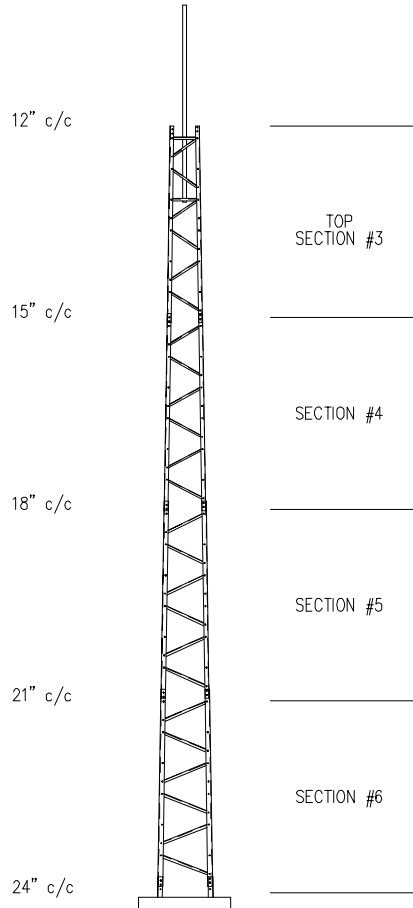
- NOTES:
- 1) PRE-ASSEMBLED PART NUMBER 4.95.0203.000.
  - 2) MAX. ANTENNA LOADS ARE CENTRALLY LOCATED AND BALANCED, 3FT OR LESS ABOVE THE TOWER TOP.
  - 3) "SURVIVAL" DESIGN IS NOT THE SAME AS EIA-222. FOR EIA COMPLIANCE SEE OUR SUPERTITAN MODELS.
  - 4) MINIMUM 32ksi YIELD FOR ALL COMPONENTS.
  - 5) CONSTRUCTED FROM PASSIVATED G-90 COAT GALVANIZED STEEL SHEET.
  - 6) TOWERS COME ASSEMBLED IN 8FT SECTIONS.
  - 7) TOP SUPPORT PIPE IS INCLUDED.
  - 8) FOR OPTIONAL ROCK BOLT FOUNDATION SEE DWG 000001.610.0033 AND 000001.610.0021.

A	MRH	CR	ISSUED FOR DISTRIBUTION	5 APR 07
REV.	REV. BY:	CHK. BY:	DESCRIPTION	DATE

CUSTOMER:	SITE:	SCALE:	60.000
DATE: 07 MAR 07	BY: MRH	CHK: CR	APP: JB
TITLE: 32' T200 TITAN TOWER	DRAWING NO. 000001.610.0065		

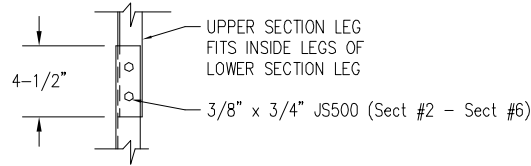
\\ENG-SERVER\pmp\media\VALU...000001.610.0065-1.dwg, 5/7/2007 4:17:58 PM, MARCUCSH

32' T300 TITAN TOWER  
(P/N 4.95.0303.000)

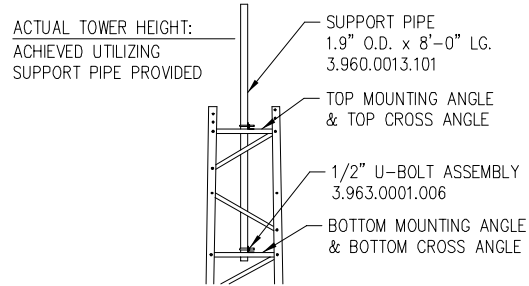


MAXIMUM ALLOWABLE ANTENNA AREA		
SURVIVAL DESIGN NO ICE (ROUND/FLAT)		
70mph WIND	85mph WIND	100mph WIND
24/16 (sqft)	13/9 (sqft)	6/4 (sqft)

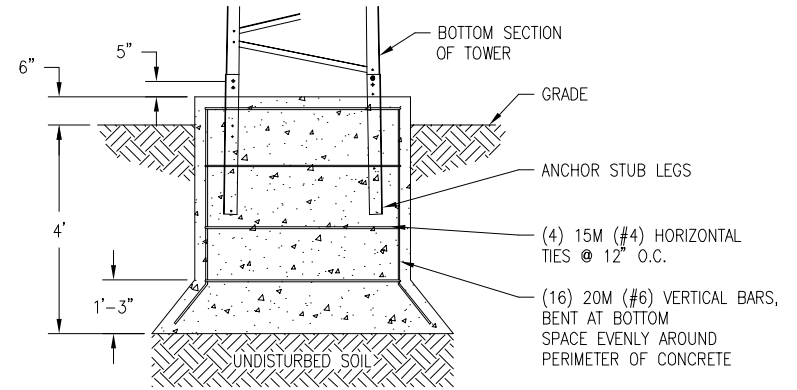
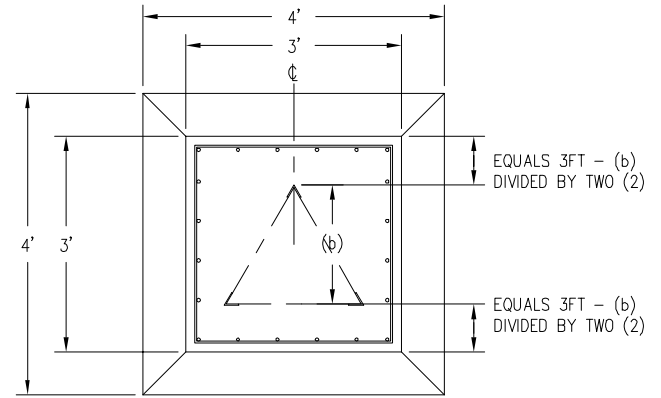
SECTION SPLICE



TOP ELEVATION



FOUNDATION DESIGN (NORMAL DRY SOIL)



FOUNDATION LOADS:  
MAX. OVERTURNING MOMENT (K\*FT) = 17.00  
MAX. SHEAR (kips) = 0.7  
DESIGN UPLIFT PER INDIVIDUAL LEG (kips) = 10.0

CONCRETE VOLUME:  
2.0 CUBIC YARDS

CONFIDENTIAL: ALL INTELLECTUAL PROPERTY RIGHTS HEREIN ARE THE PROPERTY OF TRYLON MANUFACTURING COMPANY LTD. ALL DUPLICATION, RECORDING, DISCLOSURE OR USE IS PROHIBITED WITHOUT WRITTEN CONSENT OF TRYLON MANUFACTURING COMPANY LTD.

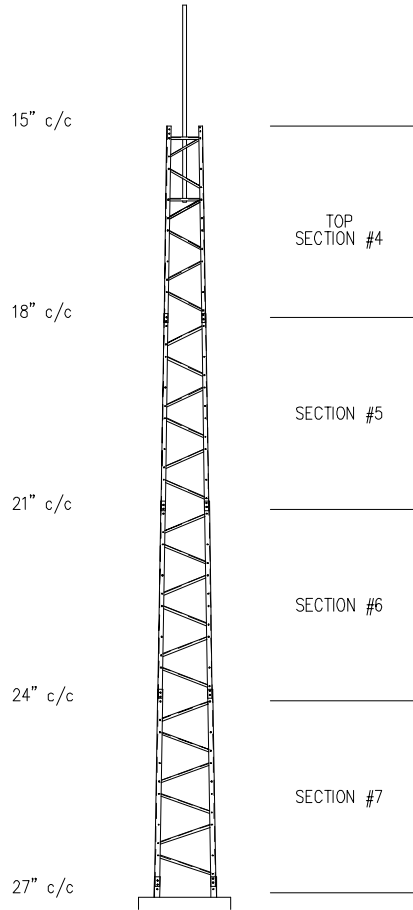


- NOTES:
- 1) PRE-ASSEMBLED PART NUMBER 4.95.0303.000.
  - 2) MAX. ANTENNA LOADS ARE CENTRALLY LOCATED AND BALANCED, 3FT OR LESS ABOVE THE TOWER TOP.
  - 3) "SURVIVAL" DESIGN IS NOT THE SAME AS EIA-222. FOR EIA COMPLIANCE SEE OUR SUPERTITAN MODELS.
  - 4) MINIMUM 32ksi YIELD FOR ALL COMPONENTS.
  - 5) CONSTRUCTED FROM PASSIVATED G-90 COAT GALVANIZED STEEL SHEET.
  - 6) TOWERS COME ASSEMBLED IN 8FT SECTIONS.
  - 7) TOP SUPPORT PIPE IS INCLUDED.
  - 8) FOR OPTIONAL ROCK BOLT FOUNDATION SEE DWG 000001.610.0033 AND 000001.610.0021.

A	MRH	CR	ISSUED FOR DISTRIBUTION	5 APR 07	
REV.	REV. BY:	CHK. BY:	DESCRIPTION	DATE	

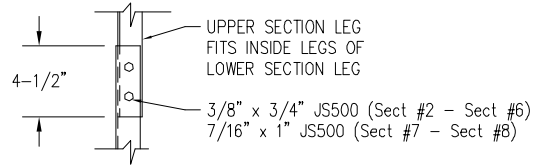
CUSTOMER:	SITE:	SCALE:	60.000
DATE: 07 MAR 07	BY: MRH	CHK: CR	APP: JB
TITLE: 32' T300 TITAN TOWER	DRAWING NO. 000001.610.0066		

32' T400 TITAN TOWER  
(P/N 4.95.0403.000)

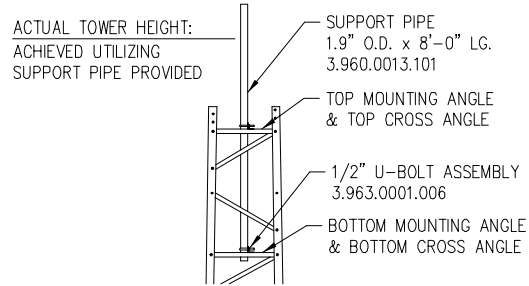


MAXIMUM ALLOWABLE ANTENNA AREA		
SURVIVAL DESIGN NO ICE (ROUND/FLAT)		
70mph WIND	85mph WIND	100mph WIND
39/26 (sqft)	24/16 (sqft)	12/8 (sqft)

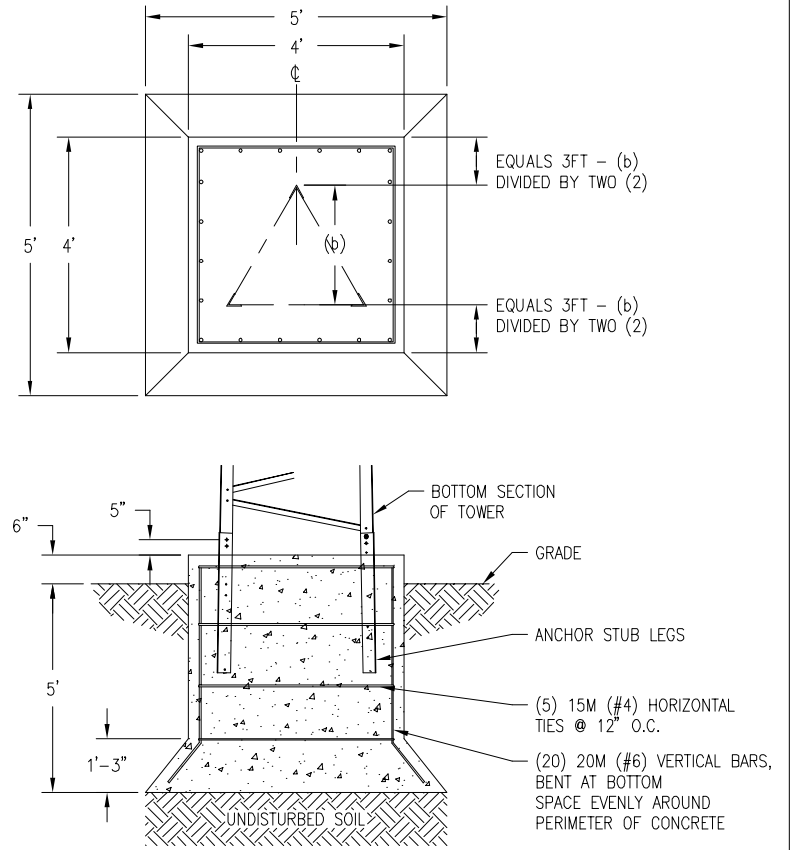
SECTION SPLICE



TOP ELEVATION



FOUNDATION DESIGN (NORMAL DRY SOIL)



FOUNDATION LOADS:  
MAX. OVERTURNING MOMENT (K\*FT) = 28.00  
MAX. SHEAR (kips) = 1.0  
DESIGN UPLIFT PER INDIVIDUAL LEG (kips) = 14.0

CONCRETE VOLUME:  
4.0 CUBIC YARDS

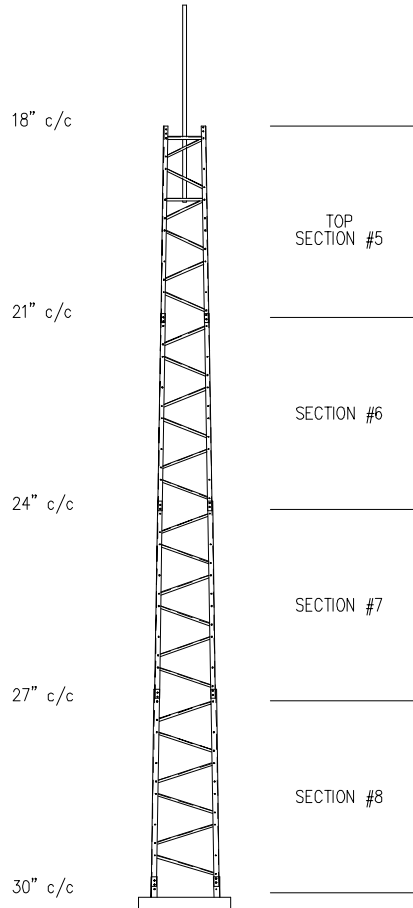
CONFIDENTIAL: ALL INTELLECTUAL PROPERTY RIGHTS HEREIN ARE THE PROPERTY OF TRYLON MANUFACTURING COMPANY LTD. ALL DUPLICATION, RECORDING, DISCLOSURE OR USE IS PROHIBITED WITHOUT WRITTEN CONSENT OF TRYLON MANUFACTURING COMPANY LTD.



- NOTES:
- 1) PRE-ASSEMBLED PART NUMBER 4.95.0403.000.
  - 2) MAX. ANTENNA LOADS ARE CENTRALLY LOCATED AND BALANCED, 3FT OR LESS ABOVE THE TOWER TOP.
  - 3) "SURVIVAL" DESIGN IN NOT THE SAME AS EIA-222. FOR EIA COMPLIANCE SEE OUR SUPERTITAN MODELS.
  - 4) MINIMUM 32ksi YIELD FOR ALL COMPONENTS.
  - 5) CONSTRUCTED FROM PASSIVATED G-90 COAT GALVANIZED STEEL SHEET.
  - 6) TOWERS COME ASSEMBLED IN 8FT SECTIONS.
  - 7) TOP SUPPORT PIPE IS INCLUDED.
  - 8) FOR OPTIONAL ROCK BOLT FOUNDATION SEE DWG 000001.610.0033 AND 000001.610.0021.

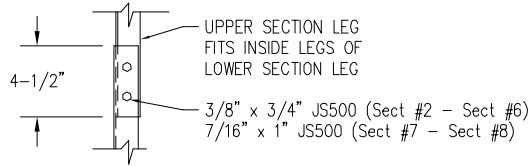
A				MRH	CR	ISSUED FOR DISTRIBUTION	5 APR 07
REV.	REV. BY:	CHK. BY:	DESCRIPTION			DATE	
CUSTOMER:				SITE:		SCALE: 60.000	
DATE: 07 MAR 07		BY: MRH		CHK: CR		APP: JB	
TITLE: 32' T400 TITAN TOWER						DRAWING NO. 000001.610.0067	

32' T500 TITAN TOWER  
(P/N 4.95.0503.000)

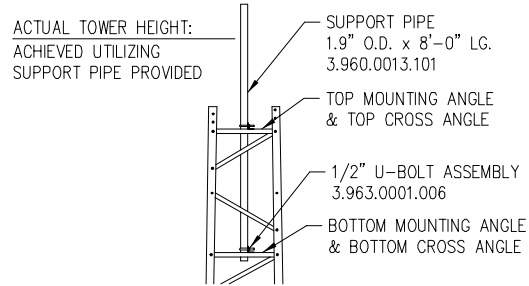


MAXIMUM ALLOWABLE ANTENNA AREA		
SURVIVAL DESIGN NO ICE (ROUND/FLAT)		
70mph WIND	85mph WIND	100mph WIND
56/38 (sqft)	32/21 (sqft)	17/11 (sqft)

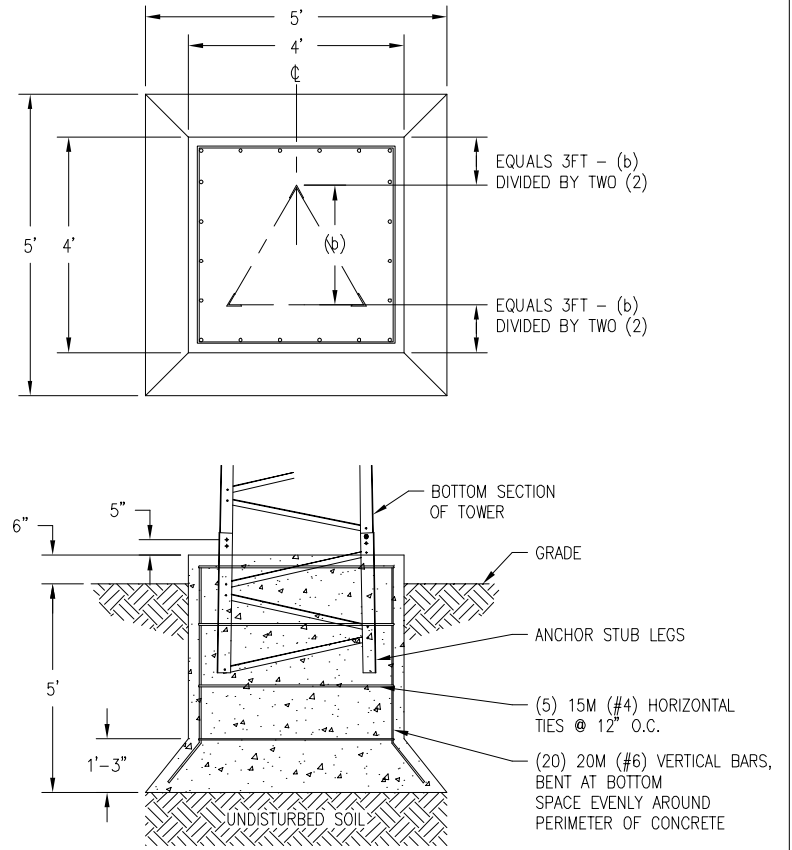
SECTION SPLICE



TOP ELEVATION



FOUNDATION DESIGN (NORMAL DRY SOIL)



FOUNDATION LOADS:  
MAX. OVERTURNING MOMENT (K\*FT) = 28.00  
MAX. SHEAR (kips) = 1.0  
DESIGN UPLIFT PER INDIVIDUAL LEG (kips) = 14.0

CONCRETE VOLUME:  
4.0 CUBIC YARDS

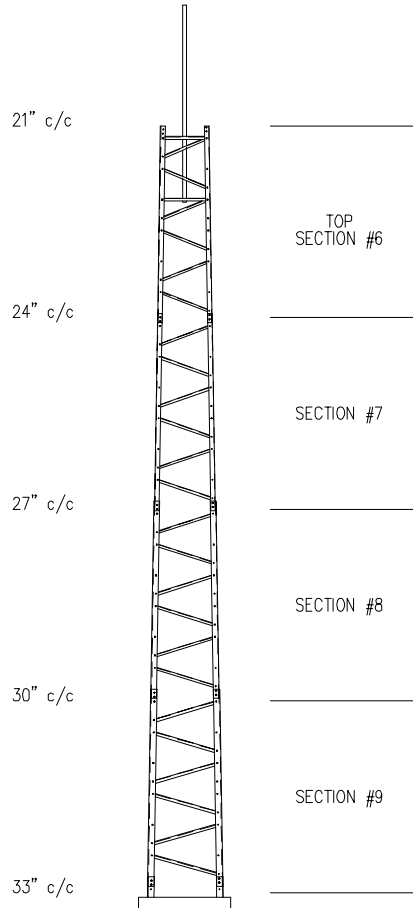
- NOTES:
- 1) PRE-ASSEMBLED PART NUMBER 4.95.0503.000.
  - 2) MAX. ANTENNA LOADS ARE CENTRALLY LOCATED AND BALANCED, 3FT OR LESS ABOVE THE TOWER TOP.
  - 3) "SURVIVAL" DESIGN IN NOT THE SAME AS EIA-222. FOR EIA COMPLIANCE SEE OUR SUPERTITAN MODELS.
  - 4) MINIMUM 32ksi YIELD FOR ALL COMPONENTS.
  - 5) CONSTRUCTED FROM PASSIVATED G-90 COAT GALVANIZED STEEL SHEET.
  - 6) TOWERS COME ASSEMBLED IN 8FT SECTIONS.
  - 7) TOP SUPPORT PIPE IS INCLUDED.
  - 8) FOR OPTIONAL ROCK BOLT FOUNDATION SEE DWG 000001.610.0033 AND 000001.610.0021.

CONFIDENTIAL: ALL INTELLECTUAL PROPERTY RIGHTS HEREIN ARE THE PROPERTY OF TRYLON MANUFACTURING COMPANY LTD. ALL DUPLICATION, RECORDING, DISCLOSURE OR USE IS PROHIBITED WITHOUT WRITTEN CONSENT OF TRYLON MANUFACTURING COMPANY LTD.

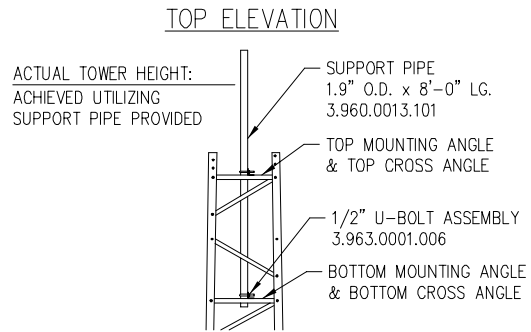
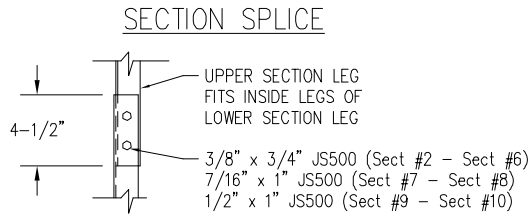


A		MRH	CR	ISSUED FOR DISTRIBUTION	5 APR 07																								
REV.	REV. BY:	CHK. BY:	DESCRIPTION		DATE																								
<table border="1"> <tr> <td>CUSTOMER:</td> <td>SITE:</td> <td>SCALE:</td> <td colspan="3">60.000</td> </tr> <tr> <td>DATE:</td> <td>07 MAR 07</td> <td>BY:</td> <td>MRH</td> <td>CHK:</td> <td>CR</td> </tr> <tr> <td>APP:</td> <td colspan="4"></td> <td>JB</td> </tr> <tr> <td>TITLE:</td> <td colspan="4">32' T500 TITAN TOWER</td> <td>DRAWING NO. 000001.610.0068</td> </tr> </table>						CUSTOMER:	SITE:	SCALE:	60.000			DATE:	07 MAR 07	BY:	MRH	CHK:	CR	APP:					JB	TITLE:	32' T500 TITAN TOWER				DRAWING NO. 000001.610.0068
CUSTOMER:	SITE:	SCALE:	60.000																										
DATE:	07 MAR 07	BY:	MRH	CHK:	CR																								
APP:					JB																								
TITLE:	32' T500 TITAN TOWER				DRAWING NO. 000001.610.0068																								

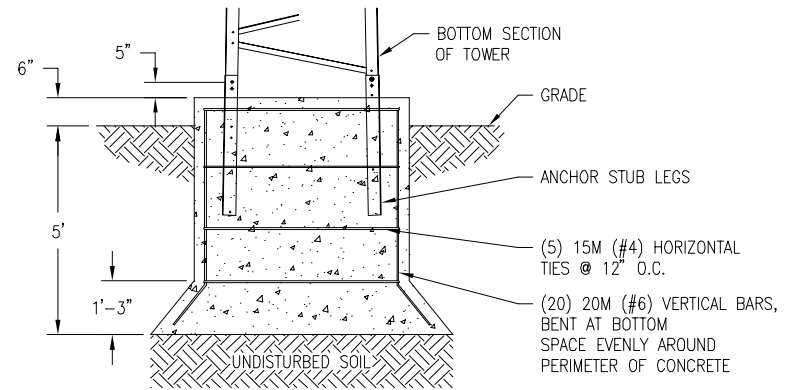
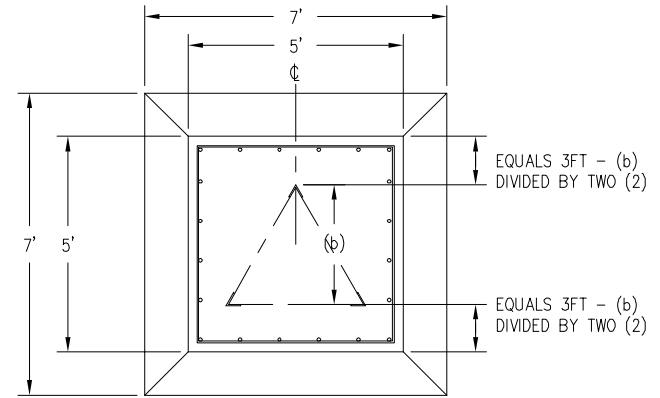
32' T600 TITAN TOWER  
(P/N 4.95.0603.000)



MAXIMUM ALLOWABLE ANTENNA AREA		
SURVIVAL DESIGN NO ICE (ROUND/FLAT)		
70mph WIND	85mph WIND	100mph WIND
70/47 (sqft)	40/27 (sqft)	23/15 (sqft)



FOUNDATION DESIGN (NORMAL DRY SOIL)



FOUNDATION LOADS:  
MAX. OVERTURNING MOMENT (K\*FT) = 67.00  
MAX. SHEAR (kips) = 1.7  
DESIGN UPLIFT PER INDIVIDUAL LEG (kips) = 23.0

CONCRETE VOLUME:  
6.0 CUBIC YARDS

CONFIDENTIAL: ALL INTELLECTUAL PROPERTY RIGHTS HEREIN ARE THE PROPERTY OF TRYLON MANUFACTURING COMPANY LTD. ALL DUPLICATION, RECORDING, DISCLOSURE OR USE IS PROHIBITED WITHOUT WRITTEN CONSENT OF TRYLON MANUFACTURING COMPANY LTD.

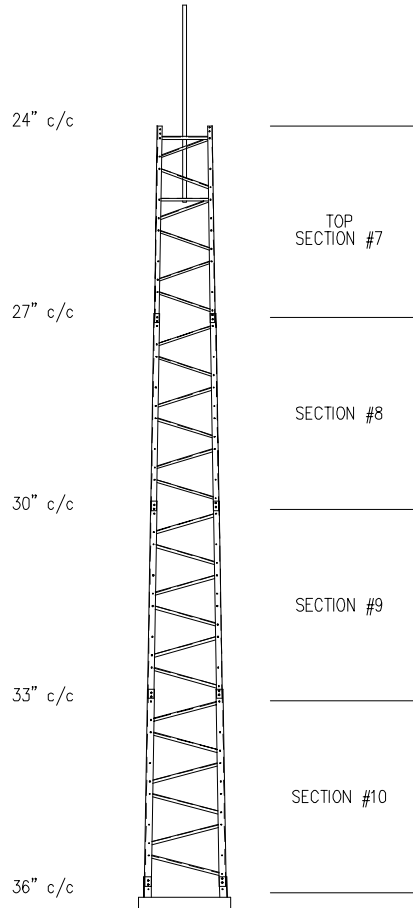


- NOTES:
- 1) PRE-ASSEMBLED PART NUMBER 4.95.0603.000.
  - 2) MAX. ANTENNA LOADS ARE CENTRALLY LOCATED AND BALANCED, 3FT OR LESS ABOVE THE TOWER TOP.
  - 3) "SURVIVAL" DESIGN IS NOT THE SAME AS EIA-222. FOR EIA COMPLIANCE SEE OUR SUPERTITAN MODELS.
  - 4) MINIMUM 32ksi YIELD FOR ALL COMPONENTS.
  - 5) CONSTRUCTED FROM PASSIVATED G-90 COAT GALVANIZED STEEL SHEET.
  - 6) TOWERS COME ASSEMBLED IN 8FT SECTIONS.
  - 7) TOP SUPPORT PIPE IS INCLUDED.
  - 8) FOR OPTIONAL ROCK BOLT FOUNDATION SEE DWG 000001.610.0033 AND 000001.610.0021.

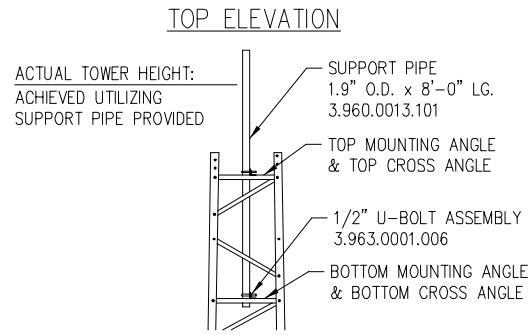
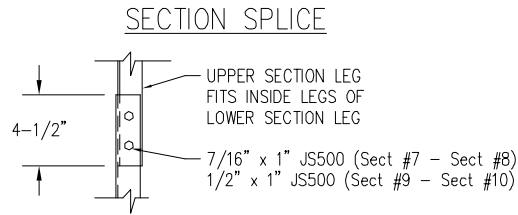
A	MRH	CR	ISSUED FOR DISTRIBUTION	5 APR 07	
REV.	REV. BY:	CHK. BY:	DESCRIPTION	DATE	

CUSTOMER:	SITE:	SCALE: 60.000
DATE: 07 MAR 07	BY: MRH	CHK: CR
TITLE: 32' T600 TITAN TOWER	DRAWING NO. 000001.610.0069	APP: JB

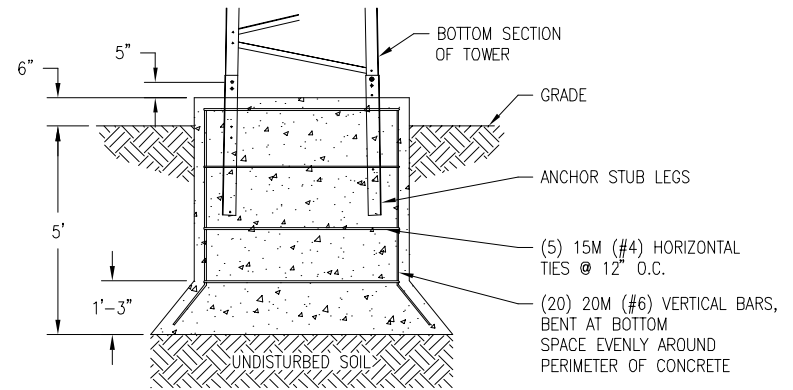
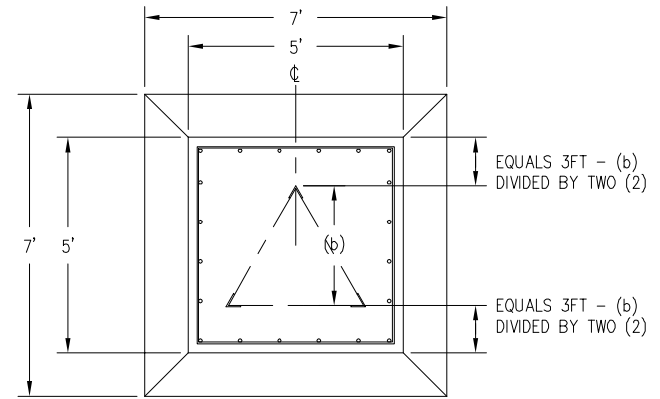
32' T700 TITAN TOWER  
(P/N 4.95.0703.000)



MAXIMUM ALLOWABLE ANTENNA AREA		
SURVIVAL DESIGN NO ICE (ROUND/FLAT)		
70mph WIND	85mph WIND	100mph WIND
95/63 (sqft)	59/39 (sqft)	37/25 (sqft)



FOUNDATION DESIGN (NORMAL DRY SOIL)



**FOUNDATION LOADS:**  
 MAX. OVERTURNING MOMENT (k\*FT) = 67.00  
 MAX. SHEAR (kips) = 1.7  
 DESIGN UPLIFT PER INDIVIDUAL LEG (kips) = 23.0

**CONCRETE VOLUME:**  
 6.0 CUBIC YARDS

CONFIDENTIAL: ALL INTELLECTUAL PROPERTY RIGHTS HEREIN ARE THE PROPERTY OF TRYLON MANUFACTURING COMPANY LTD. ALL DUPLICATION, RECORDING, DISCLOSURE OR USE IS PROHIBITED WITHOUT WRITTEN CONSENT OF TRYLON MANUFACTURING COMPANY LTD.



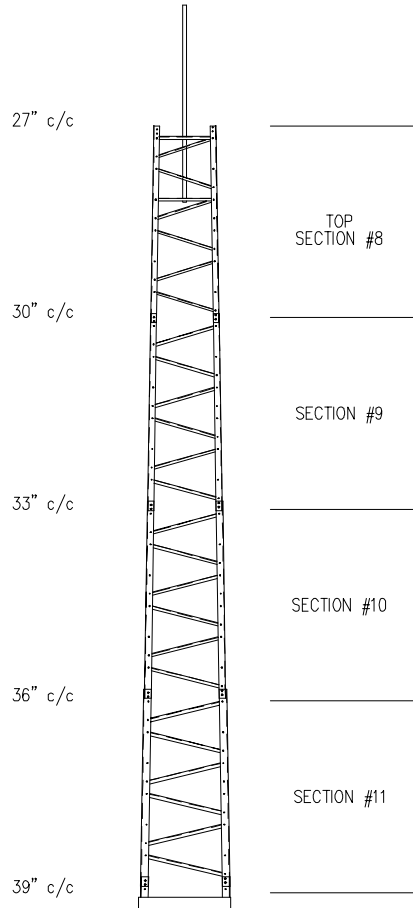
- NOTES:
- 1) PRE-ASSEMBLED PART NUMBER 4.95.0703.000.
  - 2) MAX. ANTENNA LOADS ARE CENTRALLY LOCATED AND BALANCED, 3FT OR LESS ABOVE THE TOWER TOP.
  - 3) "SURVIVAL" DESIGN IN NOT THE SAME AS EIA-222. FOR EIA COMPLIANCE SEE OUR SUPERTITAN MODELS.
  - 4) MINIMUM 32ksi YIELD FOR ALL COMPONENTS.
  - 5) CONSTRUCTED FROM PASSIVATED G-90 COAT GALVANIZED STEEL SHEET.
  - 6) TOWERS COME ASSEMBLED IN 8FT SECTIONS.
  - 7) TOP SUPPORT PIPE IS INCLUDED.
  - 8) FOR OPTIONAL ROCK BOLT FOUNDATION SEE DWG 000001.610.0033 AND 000001.610.0021.

A	MRH	CR	ISSUED FOR DISTRIBUTION	5 APR 07	
REV.	REV. BY:	CHK. BY:	DESCRIPTION	DATE	

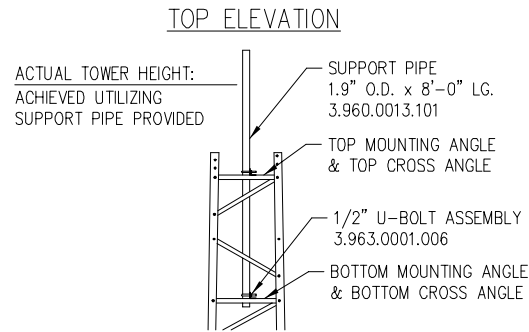
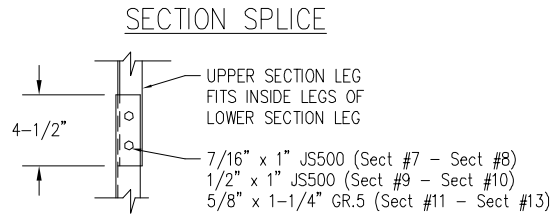
CUSTOMER:	SITE:	SCALE:	
		60.000	
DATE:	BY:	CHK:	APP:
07 MAR 07	MRH	CR	JB
TITLE:	DRAWING NO.		
32' T700 TITAN TOWER	000001.610.0070		

\\ENG-SERVER\pmp\media\wall.L.L.D\DRAWINGS\000001.610.0070.dwg - 5/7/2007 4:21:30 PM - MAMCUSH

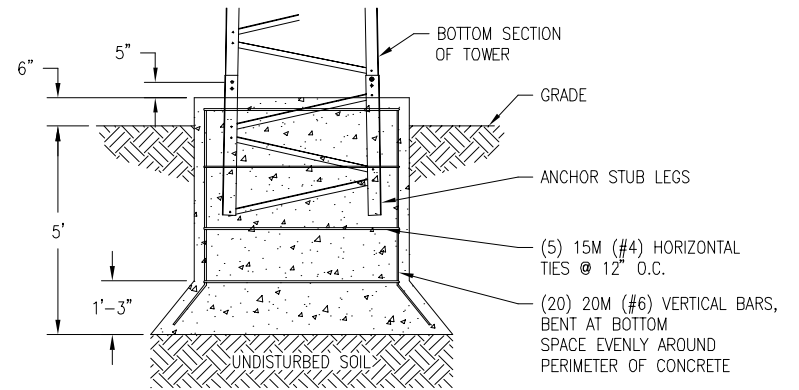
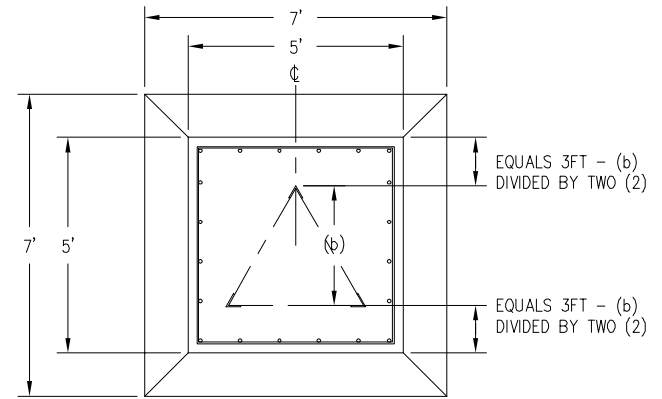
32' T800 TITAN TOWER  
(P/N 4.95.0803.000)



MAXIMUM ALLOWABLE ANTENNA AREA		
SURVIVAL DESIGN NO ICE (ROUND/FLAT)		
70mph WIND	85mph WIND	100mph WIND
132/88 (sqft)	86/57 (sqft)	57/38 (sqft)



FOUNDATION DESIGN (NORMAL DRY SOIL)



FOUNDATION LOADS:  
MAX. OVERTURNING MOMENT (k\*FT) = 67.00  
MAX. SHEAR (kips) = 1.7  
DESIGN UPLIFT PER INDIVIDUAL LEG (kips) = 23.0

CONCRETE VOLUME:  
6.0 CUBIC YARDS

CONFIDENTIAL: ALL INTELLECTUAL PROPERTY RIGHTS HEREIN ARE THE PROPERTY OF TRYLON MANUFACTURING COMPANY LTD. ALL DUPLICATION, RECORDING, DISCLOSURE OR USE IS PROHIBITED WITHOUT WRITTEN CONSENT OF TRYLON MANUFACTURING COMPANY LTD.



- NOTES:
- 1) PRE-ASSEMBLED PART NUMBER 4.95.0803.000.
  - 2) MAX. ANTENNA LOADS ARE CENTRALLY LOCATED AND BALANCED, 3FT OR LESS ABOVE THE TOWER TOP.
  - 3) "SURVIVAL" DESIGN IN NOT THE SAME AS EIA-222. FOR EIA COMPLIANCE SEE OUR SUPERTITAN MODELS.
  - 4) MINIMUM 32ksi YIELD FOR ALL COMPONENTS.
  - 5) CONSTRUCTED FROM PASSIVATED G-90 COAT GALVANIZED STEEL SHEET.
  - 6) TOWERS COME ASSEMBLED IN 8FT SECTIONS.
  - 7) TOP SUPPORT PIPE IS INCLUDED.
  - 8) FOR OPTIONAL ROCK BOLT FOUNDATION SEE DWG 000001.610.0033 AND 000001.610.0021.

A	MRH	CR	ISSUED FOR DISTRIBUTION	5 APR 07	
REV.	REV. BY:	CHK. BY:	DESCRIPTION	DATE	

CUSTOMER:	SITE:	SCALE:
		60.000
DATE: 07 MAR 07	BY: MRH	CHK: CR
		APP: JB
TITLE:	DRAWING NO.	
32' T800 TITAN TOWER	000001.610.0071	