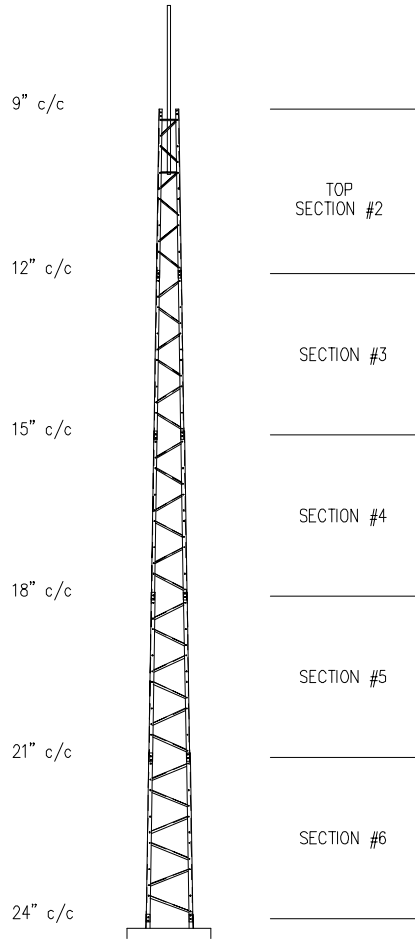
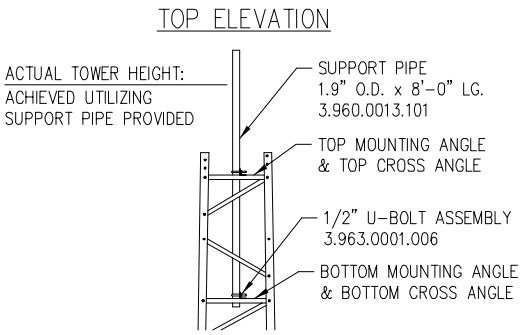
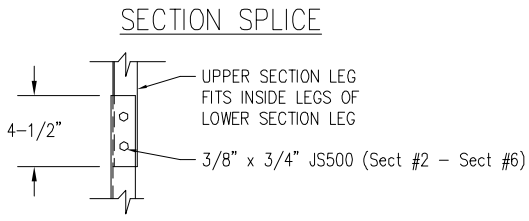


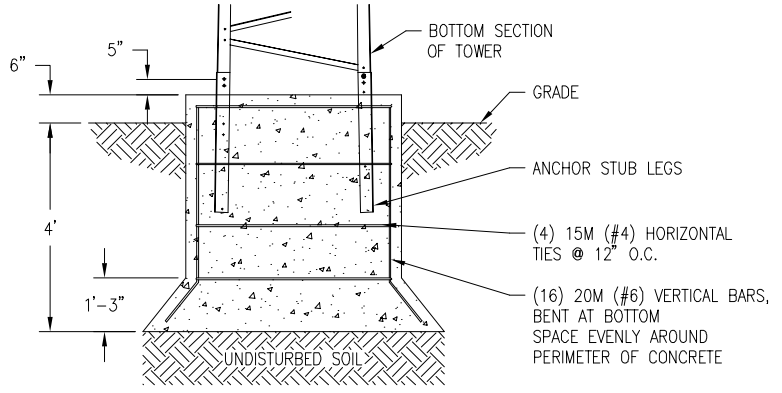
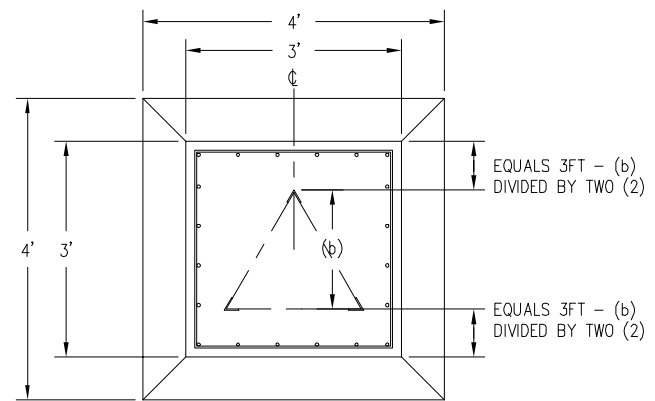
40' T200 TITAN TOWER
(P/N 4.95.0204.000)



MAXIMUM ALLOWABLE ANTENNA AREA		
SURVIVAL DESIGN NO ICE (ROUND/FLAT)		
70mph WIND	85mph WIND	100mph WIND
16/10 (sqft)	6/4 (sqft)	--/--



FOUNDATION DESIGN (NORMAL DRY SOIL)



FOUNDATION LOADS:
MAX. OVERTURNING MOMENT (K*FT) = 17.00
MAX. SHEAR (kips) = 0.7
DESIGN UPLIFT PER INDIVIDUAL LEG (kips) = 10.0

CONCRETE VOLUME:
2.0 CUBIC YARDS

CONFIDENTIAL: ALL INTELLECTUAL PROPERTY RIGHTS HEREIN ARE THE PROPERTY OF TRYLON MANUFACTURING COMPANY LTD. ALL DUPLICATION, RECORDING, DISCLOSURE OR USE IS PROHIBITED WITHOUT WRITTEN CONSENT OF TRYLON MANUFACTURING COMPANY LTD.



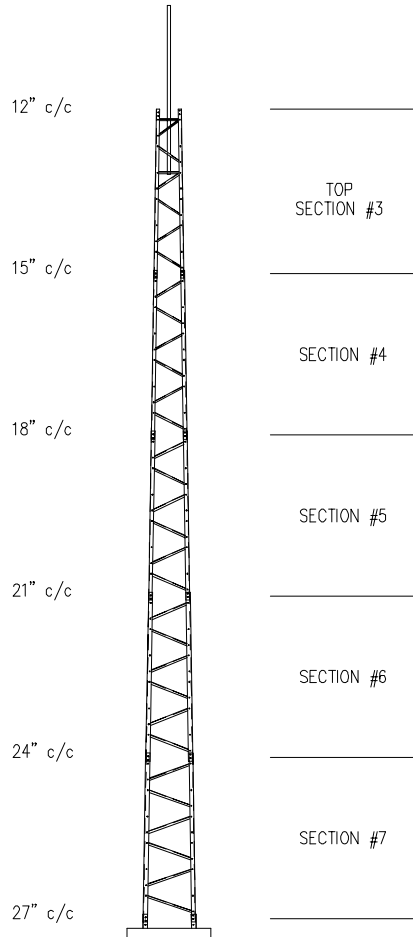
- NOTES:
- 1) PRE-ASSEMBLED PART NUMBER 4.95.0204.000.
 - 2) MAX. ANTENNA LOADS ARE CENTRALLY LOCATED AND BALANCED, 3FT OR LESS ABOVE THE TOWER TOP.
 - 3) "SURVIVAL" DESIGN IS NOT THE SAME AS EIA-222. FOR EIA COMPLIANCE SEE OUR SUPERTITAN MODELS.
 - 4) MINIMUM 32ksi YIELD FOR ALL COMPONENTS.
 - 5) CONSTRUCTED FROM PASSIVATED G-90 COAT GALVANIZED STEEL SHEET.
 - 6) TOWERS COME ASSEMBLED IN 8FT SECTIONS.
 - 7) TOP SUPPORT PIPE IS INCLUDED.
 - 8) FOR OPTIONAL ROCK BOLT FOUNDATION SEE DWG 000001.610.0033 AND 000001.610.0021.

A	MRH	CR	ISSUED FOR DISTRIBUTION	5 APR 07	
REV.	REV. BY:	CHK. BY:	DESCRIPTION	DATE	

CUSTOMER:	SITE:	SCALE:	70.000
DATE: 07 MAR 07	BY: MRH	CHK: CR	APP: JB
TITLE: 40' T200 TITAN PROFILE	DRAWING NO. 000001.610.0072		

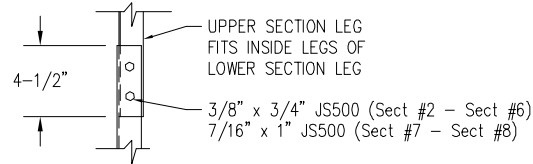
\\ENG-SERVER\pmp\media\VALLE...610.0001.610.0033.dwg 5/17/2007 4:23:26 PM MAMCUSH

40' T300 TITAN TOWER
(P/N 4.95.0304.000)

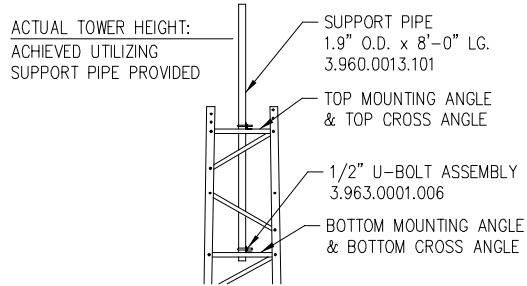


MAXIMUM ALLOWABLE ANTENNA AREA		
SURVIVAL DESIGN NO ICE (ROUND/FLAT)		
70mph WIND	85mph WIND	100mph WIND
25/17 (sqft)	13/9 (sqft)	4/3 (sqft)

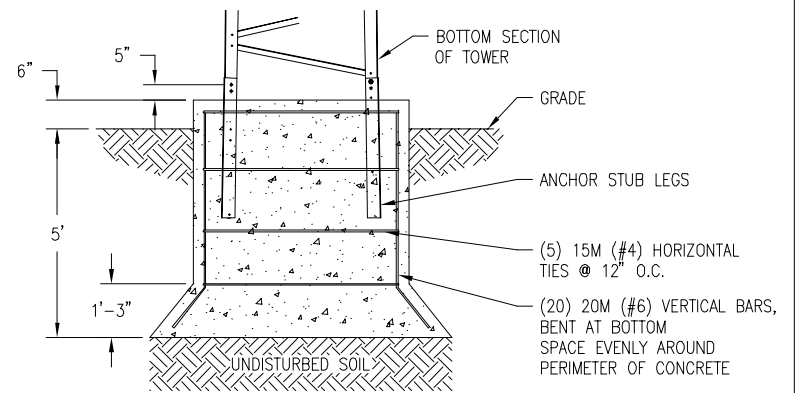
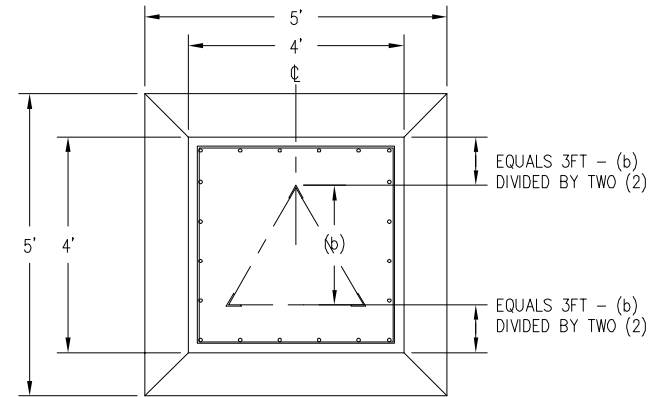
SECTION SPLICE



TOP ELEVATION



FOUNDATION DESIGN (NORMAL DRY SOIL)



FOUNDATION LOADS:
 MAX. OVERTURNING MOMENT (K*FT) = 28.00
 MAX. SHEAR (kips) = 1.0
 DESIGN UPLIFT PER INDIVIDUAL LEG (kips) = 14.0

CONCRETE VOLUME:
 4.0 CUBIC YARDS

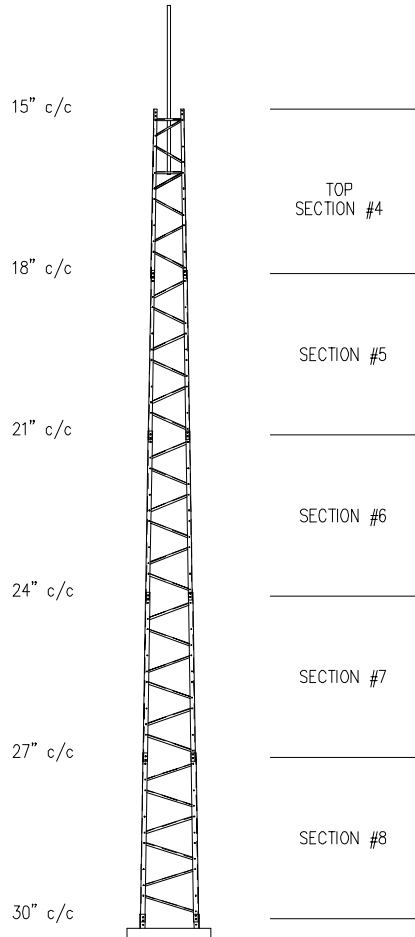
CONFIDENTIAL: ALL INTELLECTUAL PROPERTY RIGHTS HEREIN ARE THE PROPERTY OF TRYLON MANUFACTURING COMPANY LTD. ALL DUPLICATION, RECORDING, DISCLOSURE OR USE IS PROHIBITED WITHOUT WRITTEN CONSENT OF TRYLON MANUFACTURING COMPANY LTD.



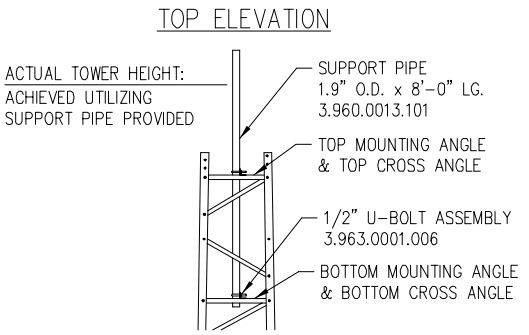
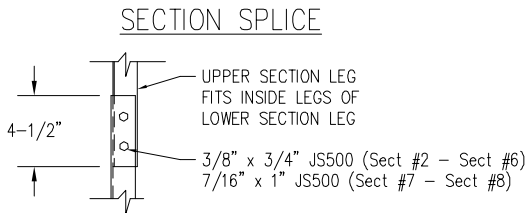
- NOTES:
- 1) PRE-ASSEMBLED PART NUMBER 4.95.0304.000.
 - 2) MAX. ANTENNA LOADS ARE CENTRALLY LOCATED AND BALANCED, 3FT OR LESS ABOVE THE TOWER TOP.
 - 3) "SURVIVAL" DESIGN IS NOT THE SAME AS EIA-222. FOR EIA COMPLIANCE SEE OUR SUPERTITAN MODELS.
 - 4) MINIMUM 32ksi YIELD FOR ALL COMPONENTS.
 - 5) CONSTRUCTED FROM PASSIVATED G-90 COAT GALVANIZED STEEL SHEET.
 - 6) TOWERS COME ASSEMBLED IN 8FT SECTIONS.
 - 7) TOP SUPPORT PIPE IS INCLUDED.
 - 8) FOR OPTIONAL ROCK BOLT FOUNDATION SEE DWG 000001.610.0033 AND 000001.610.0021.

A				MRH	CR	ISSUED FOR DISTRIBUTION	5 APR 07
REV.	REV. BY:	CHK. BY:	DESCRIPTION			DATE	
			CUSTOMER:			SITE:	
			DATE:			SCALE: 70.000	
			BY: MRH		CHK: CR		APP: JB
			TITLE: 40' T300 TITAN PROFILE			DRAWING NO. 000001.610.0073	

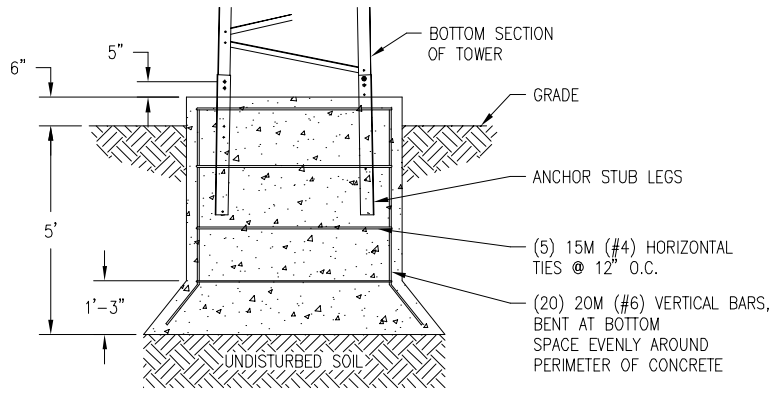
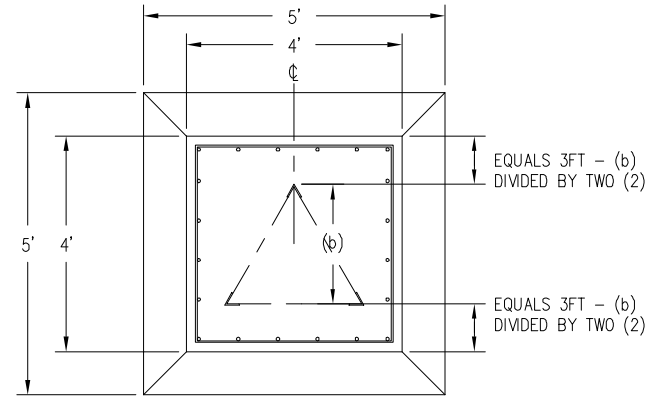
40' T400 TITAN TOWER
(P/N 4.95.0404.000)



MAXIMUM ALLOWABLE ANTENNA AREA		
SURVIVAL DESIGN NO ICE (ROUND/FLAT)		
70mph WIND	85mph WIND	100mph WIND
40/27 (sqft)	20/14 (sqft)	8/5 (sqft)



FOUNDATION DESIGN (NORMAL DRY SOIL)



FOUNDATION LOADS:
 MAX. OVERTURNING MOMENT (K*FT) = 28.00
 MAX. SHEAR (kips) = 1.0
 DESIGN UPLIFT PER INDIVIDUAL LEG (kips) = 14.0

CONCRETE VOLUME:
 4.0 CUBIC YARDS

CONFIDENTIAL- ALL INTELLECTUAL PROPERTY RIGHTS HEREIN ARE THE PROPERTY OF TRYLON MANUFACTURING COMPANY LTD. ALL DUPLICATION, RECORDING, DISCLOSURE OR USE IS PROHIBITED WITHOUT WRITTEN CONSENT OF TRYLON MANUFACTURING COMPANY LTD.



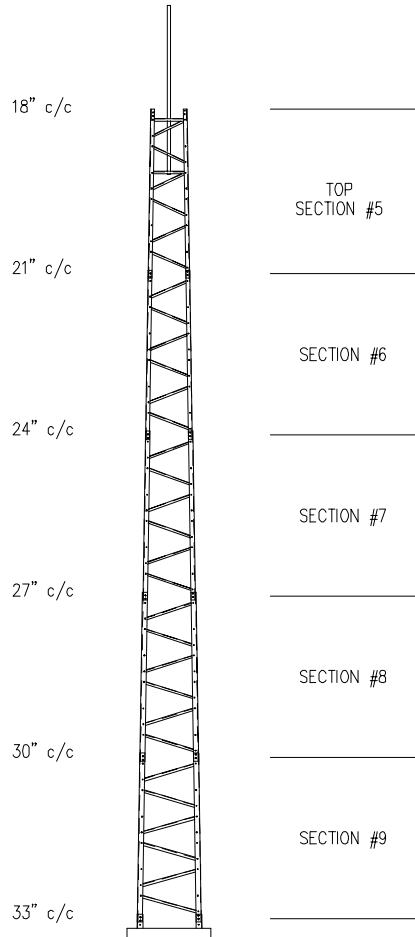
- NOTES:
- 1) PRE-ASSEMBLED PART NUMBER 4.95.0404.000.
 - 2) MAX. ANTENNA LOADS ARE CENTRALLY LOCATED AND BALANCED, 3FT OR LESS ABOVE THE TOWER TOP.
 - 3) "SURVIVAL" DESIGN IS NOT THE SAME AS EIA-222. FOR EIA COMPLIANCE SEE OUR SUPERTITAN MODELS.
 - 4) MINIMUM 32ksi YIELD FOR ALL COMPONENTS.
 - 5) CONSTRUCTED FROM PASSIVATED G-90 COAT GALVANIZED STEEL SHEET.
 - 6) TOWERS COME ASSEMBLED IN 8FT SECTIONS.
 - 7) TOP SUPPORT PIPE IS INCLUDED.
 - 8) FOR OPTIONAL ROCK BOLT FOUNDATION SEE DWG 000001.610.0033 AND 000001.610.0021.

A	MRH	CR	ISSUED FOR DISTRIBUTION	5 APR 07	
REV.	REV. BY:	CHK. BY:	DESCRIPTION	DATE	

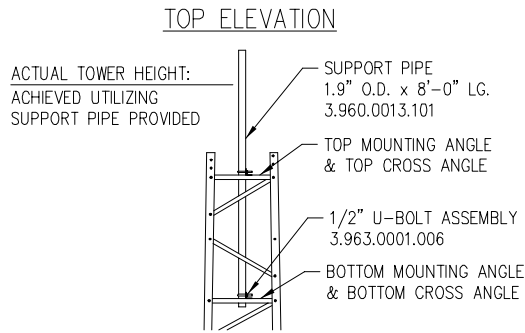
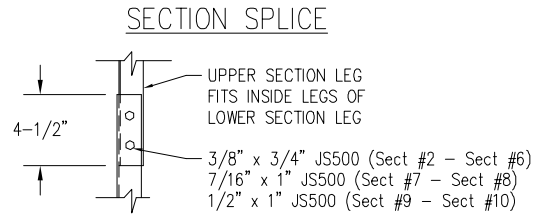
CUSTOMER:	SITE:	SCALE:	70.000
DATE: 07 MAR 07	BY: MRH	CHK: CR	APP: JB
TITLE: 40' T400 TITAN PROFILE	DRAWING NO. 000001.610.0074		

\\ENG-SERVER\pmp\media\VALLE...6100001.610.0033.dwg-5/7/2007 4:25:27 PM-MAHUCUSH

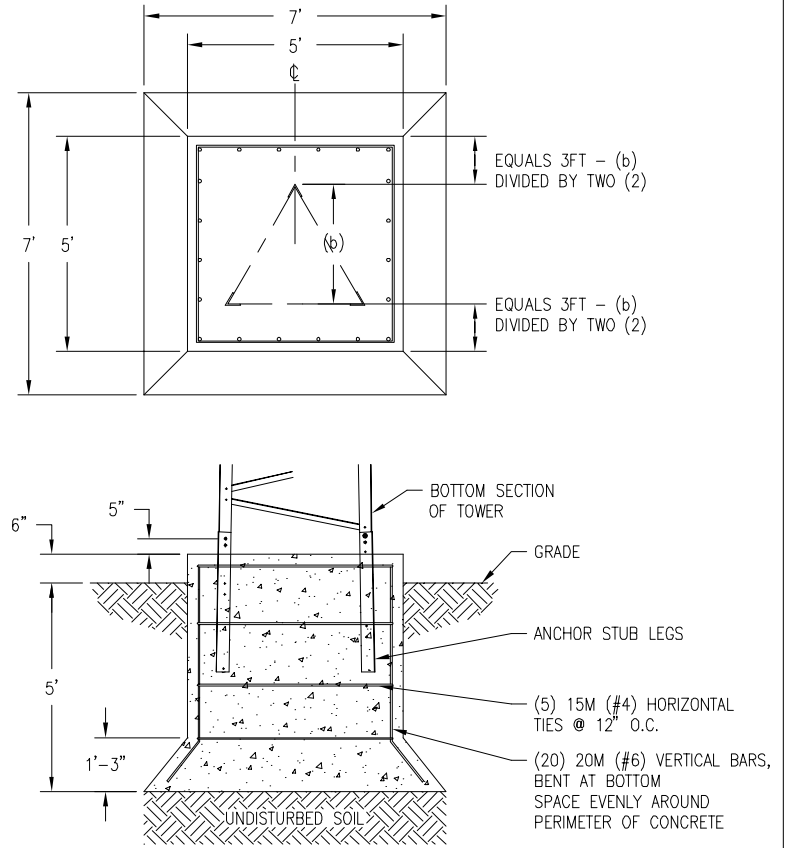
40' T500 TITAN TOWER
(P/N 4.95.0504.000)



MAXIMUM ALLOWABLE ANTENNA AREA		
SURVIVAL DESIGN NO ICE (ROUND/FLAT)		
70mph WIND	85mph WIND	100mph WIND
52/35 (sqft)	27/18 (sqft)	12/8 (sqft)



FOUNDATION DESIGN (NORMAL DRY SOIL)



FOUNDATION LOADS:
MAX. OVERTURNING MOMENT (K*FT) = 67.00
MAX. SHEAR (kips) = 1.7
DESIGN UPLIFT PER INDIVIDUAL LEG (kips) = 23.0

CONCRETE VOLUME:
6.0 CUBIC YARDS

CONFIDENTIAL: ALL INTELLECTUAL PROPERTY RIGHTS HEREIN ARE THE PROPERTY OF TRYLON MANUFACTURING COMPANY LTD. ALL DUPLICATION, RECORDING, DISCLOSURE OR USE IS PROHIBITED WITHOUT WRITTEN CONSENT OF TRYLON MANUFACTURING COMPANY LTD.

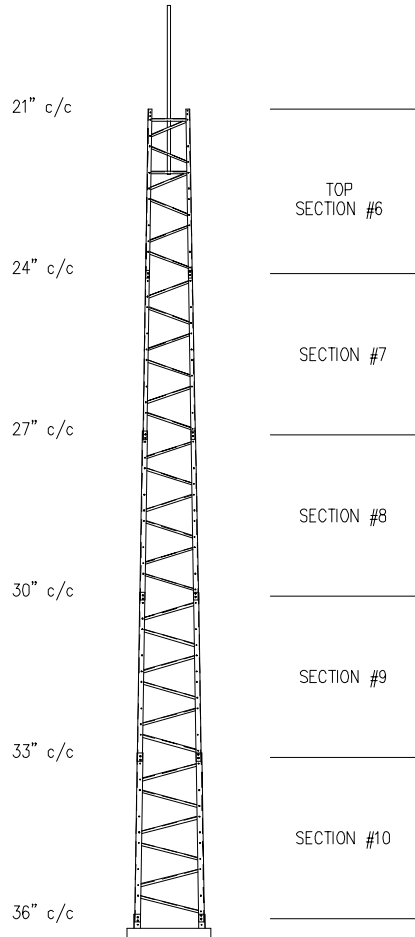


- NOTES:
- 1) PRE-ASSEMBLED PART NUMBER 4.95.0504.000.
 - 2) MAX. ANTENNA LOADS ARE CENTRALLY LOCATED AND BALANCED, 3FT OR LESS ABOVE THE TOWER TOP.
 - 3) "SURVIVAL" DESIGN IS NOT THE SAME AS EIA-222. FOR EIA COMPLIANCE SEE OUR SUPERTITAN MODELS.
 - 4) MINIMUM 32ksi YIELD FOR ALL COMPONENTS.
 - 5) CONSTRUCTED FROM PASSIVATED G-90 COAT GALVANIZED STEEL SHEET.
 - 6) TOWERS COME ASSEMBLED IN 8FT SECTIONS.
 - 7) TOP SUPPORT PIPE IS INCLUDED.
 - 8) FOR OPTIONAL ROCK BOLT FOUNDATION SEE DWG 000001.610.0033 AND 000001.610.0021.

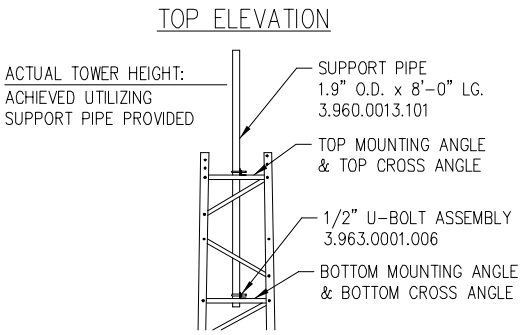
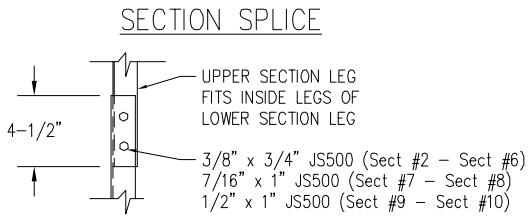
A	MRH	CR	ISSUED FOR DISTRIBUTION	5 APR 07
REV.	REV. BY:	CHK. BY:	DESCRIPTION	DATE

CUSTOMER:	SITE:	SCALE: 70.000
DATE: 07 MAR 07	BY: MRH	CHK: CR
TITLE: 40' T500 TITAN PROFILE	APP: JB	DRAWING NO. 000001.610.0075

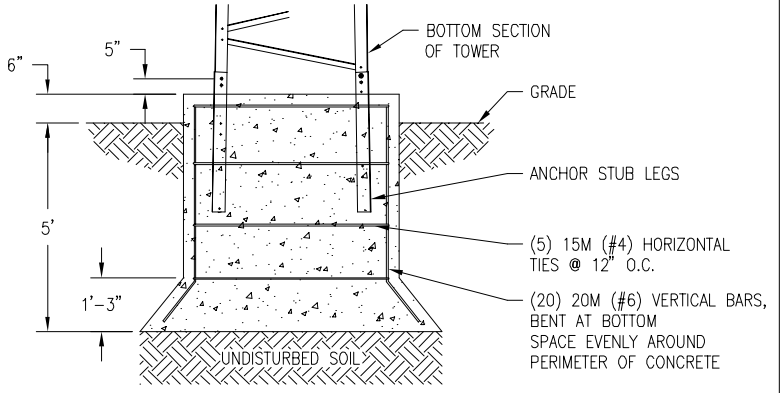
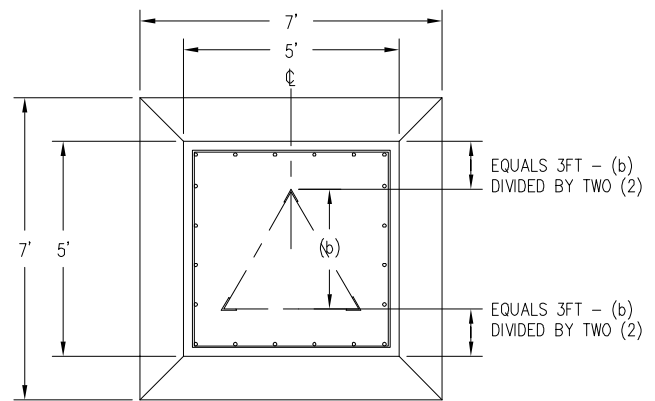
40' T600 TITAN TOWER
(P/N 4.95.0604.000)



MAXIMUM ALLOWABLE ANTENNA AREA		
SURVIVAL DESIGN NO ICE (ROUND/FLAT)		
70mph WIND	85mph WIND	100mph WIND
70/47 (sqft)	40/27 (sqft)	23/15 (sqft)



FOUNDATION DESIGN (NORMAL DRY SOIL)



FOUNDATION LOADS:
 MAX. OVERTURNING MOMENT (K*FT) = 67.00
 MAX. SHEAR (kips) = 1.7
 DESIGN UPLIFT PER INDIVIDUAL LEG (kips) = 23.0

CONCRETE VOLUME:
 6.0 CUBIC YARDS

CONFIDENTIAL: ALL INTELLECTUAL PROPERTY RIGHTS HEREIN ARE THE PROPERTY OF TRYLON MANUFACTURING COMPANY LTD. ALL DUPLICATION, RECORDING, DISCLOSURE OR USE IS PROHIBITED WITHOUT WRITTEN CONSENT OF TRYLON MANUFACTURING COMPANY LTD.



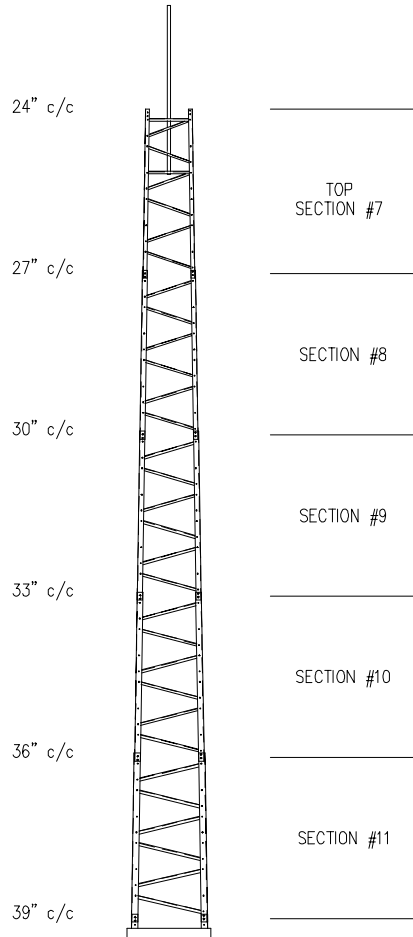
- NOTES:
- 1) PRE-ASSEMBLED PART NUMBER 4.95.0604.000.
 - 2) MAX. ANTENNA LOADS ARE CENTRALLY LOCATED AND BALANCED, 3FT OR LESS ABOVE THE TOWER TOP.
 - 3) "SURVIVAL" DESIGN IS NOT THE SAME AS EIA-222. FOR EIA COMPLIANCE SEE OUR SUPERTITAN MODELS.
 - 4) MINIMUM 32ksi YIELD FOR ALL COMPONENTS.
 - 5) CONSTRUCTED FROM PASSIVATED G-90 COAT GALVANIZED STEEL SHEET.
 - 6) TOWERS COME ASSEMBLED IN 8FT SECTIONS.
 - 7) TOP SUPPORT PIPE IS INCLUDED.
 - 8) FOR OPTIONAL ROCK BOLT FOUNDATION SEE DWG 000001.610.0033 AND 000001.610.0021.

A	MRH	CR	ISSUED FOR DISTRIBUTION	5 APR 07	
REV.	REV. BY:	CHK. BY:	DESCRIPTION	DATE	

CUSTOMER:	SITE:	SCALE:	70.000
DATE:	07 MAR 07	BY:	MRH
CHK:	CR	APP:	JB
TITLE:	40' T600 TITAN PROFILE		DRAWING NO. 000001.610.0076

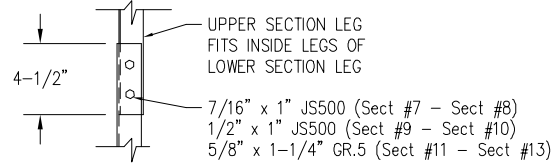
\\ENG-SERVER\pmp\media\VALLE_L\DWG\000001.610.0007.dwg:5/17/2007 4:26:34 PM:IMACUSH

40' T700 TITAN TOWER
(P/N 4.95.0704.000)

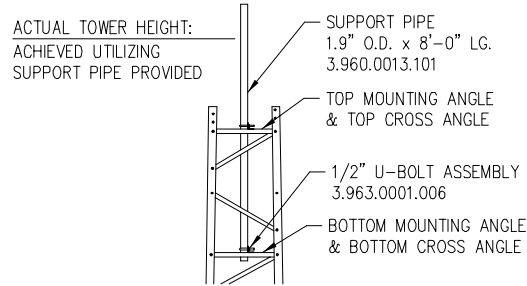


MAXIMUM ALLOWABLE ANTENNA AREA		
SURVIVAL DESIGN NO ICE (ROUND/FLAT)		
70mph WIND	85mph WIND	100mph WIND
95/64 (sqft)	59/39 (sqft)	37/25 (sqft)

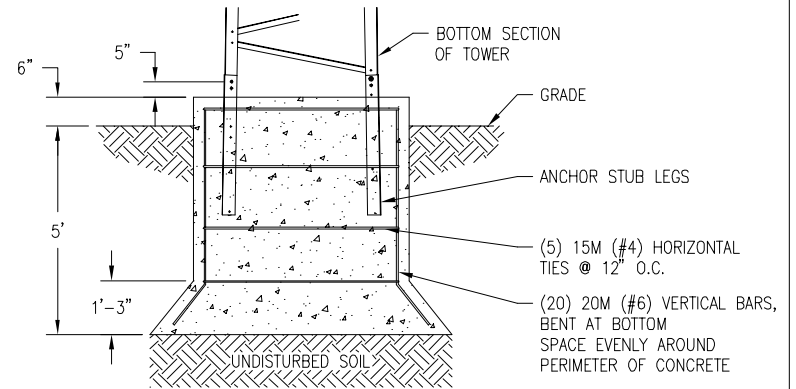
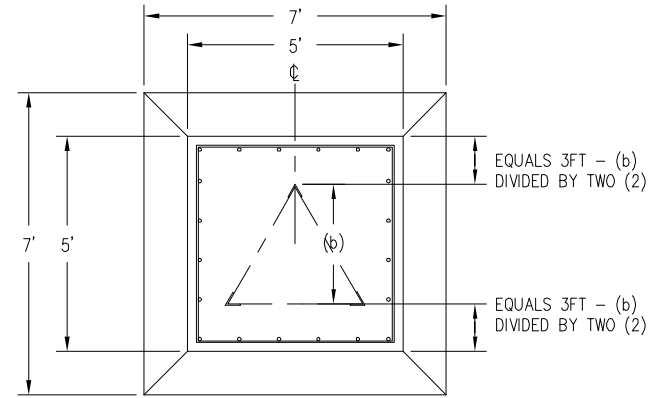
SECTION SPLICE



TOP ELEVATION



FOUNDATION DESIGN (NORMAL DRY SOIL)



FOUNDATION LOADS:
MAX. OVERTURNING MOMENT (K*FT) = 67.00
MAX. SHEAR (kips) = 1.7
DESIGN UPLIFT PER INDIVIDUAL LEG (kips) = 23.0

CONCRETE VOLUME:
6.0 CUBIC YARDS

CONFIDENTIAL: ALL INTELLECTUAL PROPERTY RIGHTS HEREIN ARE THE PROPERTY OF TRYLON MANUFACTURING COMPANY LTD. ALL DUPLICATION, RECORDING, DISCLOSURE OR USE IS PROHIBITED WITHOUT WRITTEN CONSENT OF TRYLON MANUFACTURING COMPANY LTD.



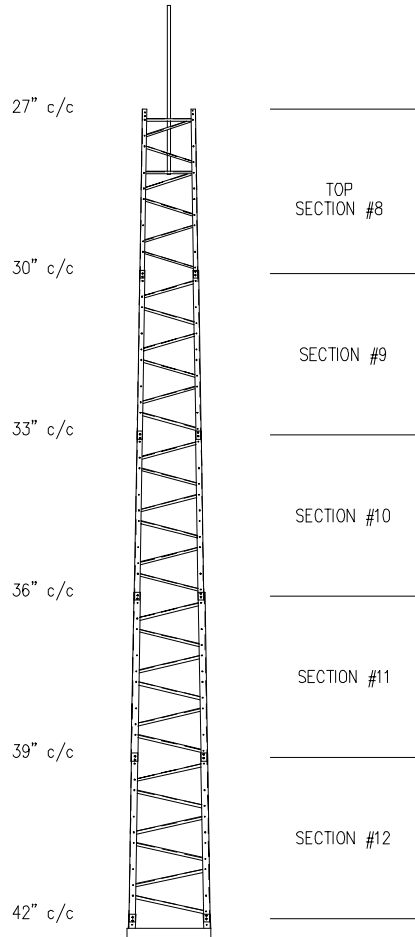
- NOTES:
- 1) PRE-ASSEMBLED PART NUMBER 4.95.0704.000.
 - 2) MAX. ANTENNA LOADS ARE CENTRALLY LOCATED AND BALANCED, 3FT OR LESS ABOVE THE TOWER TOP.
 - 3) "SURVIVAL" DESIGN IS NOT THE SAME AS EIA-222. FOR EIA COMPLIANCE SEE OUR SUPERTITAN MODELS.
 - 4) MINIMUM 32ksi YIELD FOR ALL COMPONENTS.
 - 5) CONSTRUCTED FROM PASSIVATED G-90 COAT GALVANIZED STEEL SHEET.
 - 6) TOWERS COME ASSEMBLED IN 8FT SECTIONS.
 - 7) TOP SUPPORT PIPE IS INCLUDED.
 - 8) FOR OPTIONAL ROCK BOLT FOUNDATION SEE DWG 000001.610.0033 AND 000001.610.0021.

A	MRH	CR	ISSUED FOR DISTRIBUTION	5 APR 07
REV.	REV. BY:	CHK. BY:	DESCRIPTION	DATE
			40' T700 TITAN PROFILE	DRAWING NO. 000001.610.0077

CUSTOMER:	SITE:	SCALE: 70.000
DATE: 07 MAR 07	BY: MRH	CHK: CR
APP: JB	DRAWING NO. 000001.610.0077	

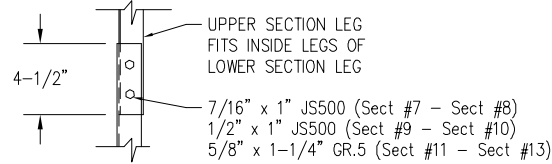
\\ENG-SERVER\pmp\media\DATA\VAL\11\11\000001.610.0077.dwg: 5/17/2007 4:27:15 PM: MAMCUCSH

40' T800 TITAN TOWER
(P/N 4.95.0804.000)

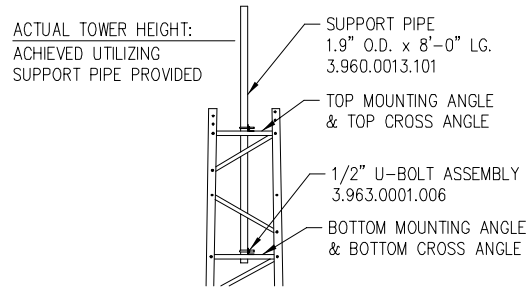


MAXIMUM ALLOWABLE ANTENNA AREA		
SURVIVAL DESIGN NO ICE (ROUND/FLAT)		
70mph WIND	85mph WIND	100mph WIND
132/88 (sqft)	79/53 (sqft)	47/32 (sqft)

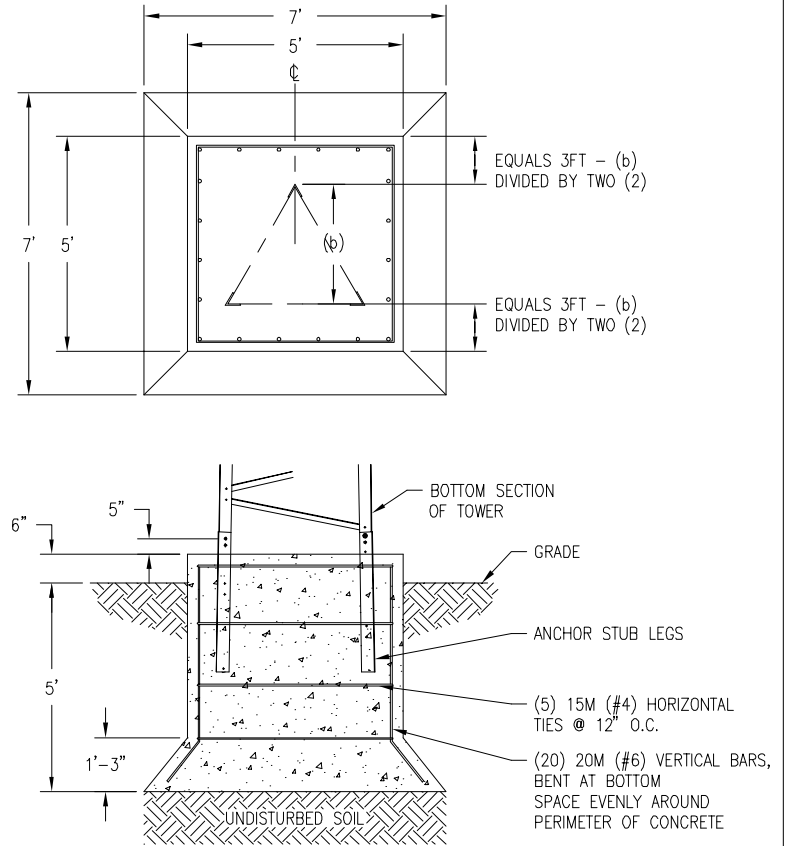
SECTION SPLICE



TOP ELEVATION



FOUNDATION DESIGN (NORMAL DRY SOIL)



FOUNDATION LOADS:
 MAX. OVERTURNING MOMENT (K*FT) = 67.00
 MAX. SHEAR (kips) = 1.7
 DESIGN UPLIFT PER INDIVIDUAL LEG (kips) = 14.0

CONCRETE VOLUME:
 6.0 CUBIC YARDS

CONFIDENTIAL: ALL INTELLECTUAL PROPERTY RIGHTS HEREIN ARE THE PROPERTY OF TRYLON MANUFACTURING COMPANY LTD. ALL DUPLICATION, RECORDING, DISCLOSURE OR USE IS PROHIBITED WITHOUT WRITTEN CONSENT OF TRYLON MANUFACTURING COMPANY LTD.



- NOTES:
- PRE-ASSEMBLED PART NUMBER 4.95.0804.000.
 - MAX. ANTENNA LOADS ARE CENTRALLY LOCATED AND BALANCED, 3FT OR LESS ABOVE THE TOWER TOP.
 - "SURVIVAL" DESIGN IS NOT THE SAME AS EIA-222. FOR EIA COMPLIANCE SEE OUR SUPERTITAN MODELS.
 - MINIMUM 32ksi YIELD FOR ALL COMPONENTS.
 - CONSTRUCTED FROM PASSIVATED G-90 COAT GALVANIZED STEEL SHEET.
 - TOWERS COME ASSEMBLED IN 8FT SECTIONS.
 - TOP SUPPORT PIPE IS INCLUDED.
 - FOR OPTIONAL ROCK BOLT FOUNDATION SEE DWG 000001.610.0033 AND 000001.610.0021.

A	MRH	CR	ISSUED FOR DISTRIBUTION	5 APR 07			
REV.	REV. BY:	CHK. BY:	DESCRIPTION	DATE			

CUSTOMER:	SITE:	SCALE:	70.000
DATE:	07 MAR 07	BY:	MRH
CHK:	CR	APP:	JB
TITLE:	40' T800 TITAN PROFILE		DRAWING NO. 000001.610.0078