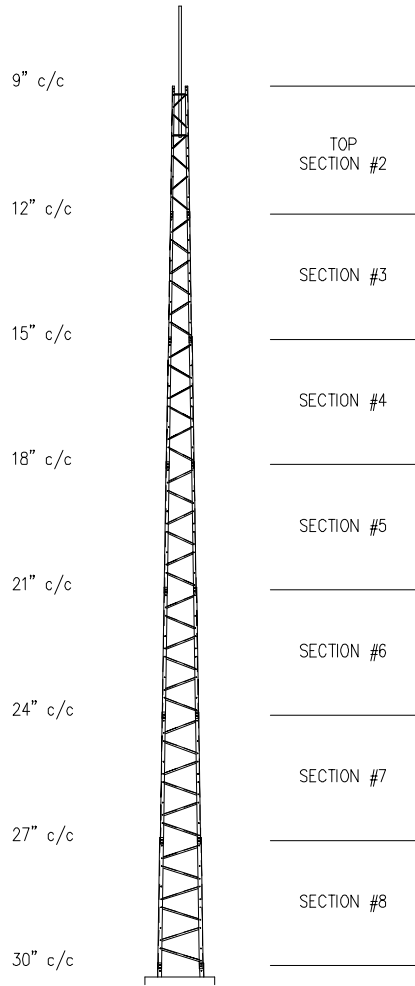
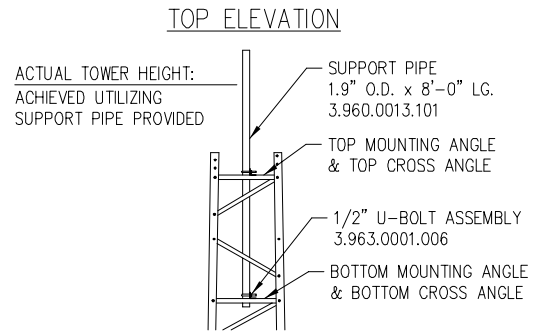
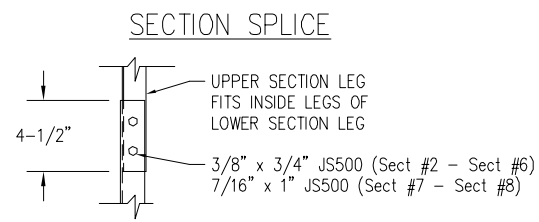


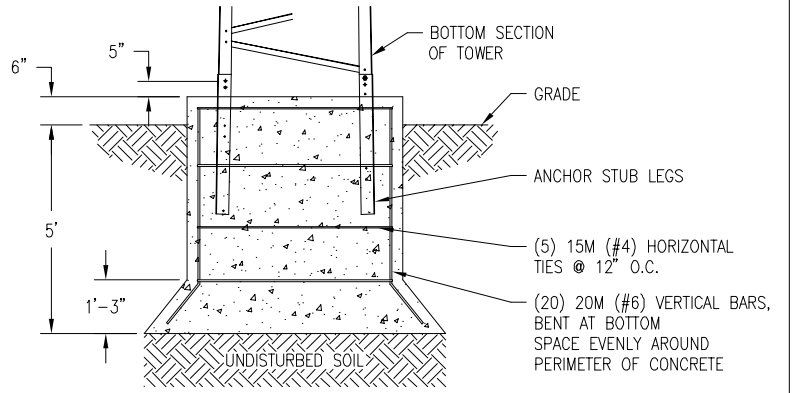
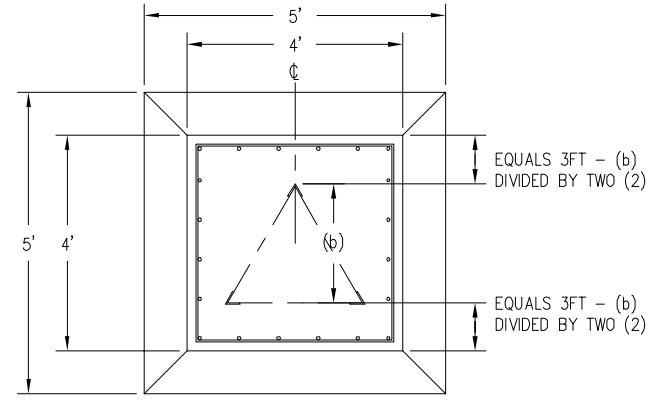
56' T200 TITAN TOWER
(P/N 4.95.0206.000)



MAXIMUM ALLOWABLE ANTENNA AREA		
SURVIVAL DESIGN NO ICE (ROUND/FLAT)		
70mph WIND	85mph WIND	100mph WIND
16/10 (sqft)	5/3 (sqft)	--/--



FOUNDATION DESIGN (NORMAL DRY SOIL)



FOUNDATION LOADS:
MAX. OVERTURNING MOMENT (K*FT) = 28.00
MAX. SHEAR (kips) = 1.0
DESIGN UPLIFT PER INDIVIDUAL LEG (kips) = 14.0

CONCRETE VOLUME:
4.0 CUBIC YARDS

CONFIDENTIAL: ALL INTELLECTUAL PROPERTY RIGHTS HEREIN ARE THE PROPERTY OF TRYLON MANUFACTURING COMPANY LTD. ALL DUPLICATION, RECORDING, DISCLOSURE OR USE IS PROHIBITED WITHOUT WRITTEN CONSENT OF TRYLON MANUFACTURING COMPANY LTD.



- NOTES:
- 1) BRE-ASSEMBLED PART NUMBER 4.95.0206.000.
 - 2) MAX. ANTENNA LOADS ARE CENTRALLY LOCATED AND BALANCED, 3FT OR LESS ABOVE THE TOWER TOP.
 - 3) "SURVIVAL" DESIGN IS NOT THE SAME AS EIA-222. FOR EIA COMPLIANCE SEE OUR SUPERTITAN MODELS.
 - 4) MINIMUM 32ksi YIELD FOR ALL COMPONENTS.
 - 5) CONSTRUCTED FROM PASSIVATED G-90 COAT GALVANIZED STEEL SHEET.
 - 6) TOWERS COME ASSEMBLED IN 8FT SECTIONS.
 - 7) TOP SUPPORT PIPE IS INCLUDED.
 - 8) FOR OPTIONAL ROCK BOLT FOUNDATION SEE DWG 000001.610.0033 AND 000001.610.0021.

A	MRH	CR	ISSUED FOR DISTRIBUTION	5 APR 07	
REV.	REV. BY:	CHK. BY:	DESCRIPTION	DATE	

CUSTOMER:	SITE:	SCALE:
DATE: 07 MAR 07	BY: MRH	APP: JB
CHK: CR	DRAWING NO. 000001.610.0086	
TITLE: 56' T200 TITAN TOWER		

\\ENG-SERVER\pmp\media\dwg\11\000001.610.0033.dwg, 5/7/2007, 4:34:13 PM, MARCOUSH

