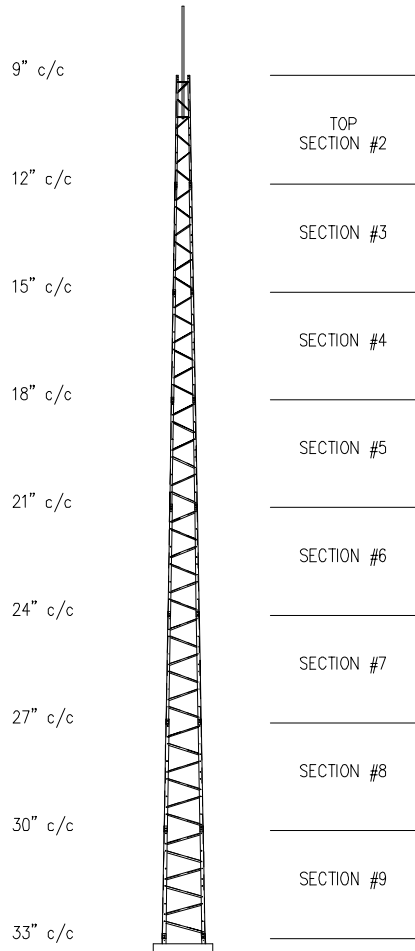
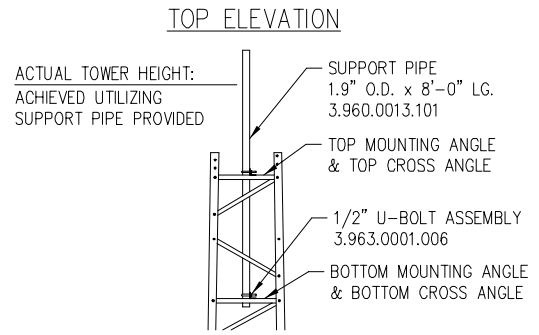
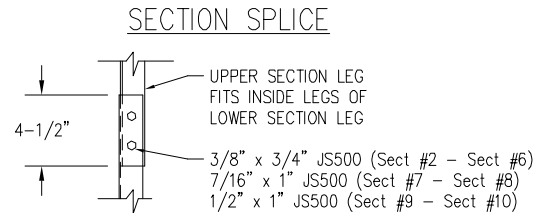


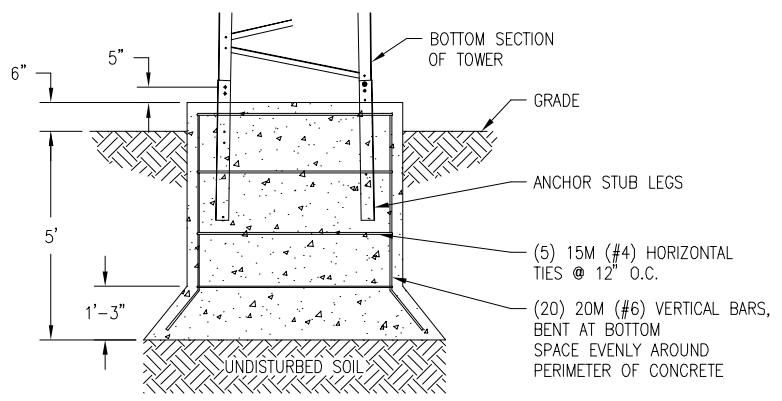
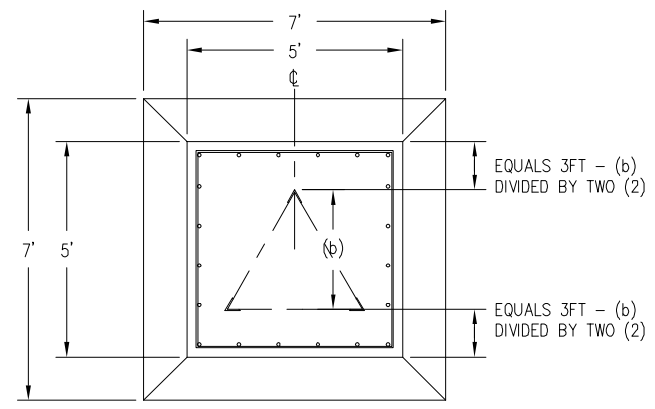
64' T200 TITAN TOWER
(P/N 4.95.0207.000)



MAXIMUM ALLOWABLE ANTENNA AREA		
SURVIVAL DESIGN NO ICE (ROUND/FLAT)		
70mph WIND	85mph WIND	100mph WIND
16/10 (sqft)	3/2 (sqft)	--/--



FOUNDATION DESIGN (NORMAL DRY SOIL)



FOUNDATION LOADS:
MAX. OVERTURNING MOMENT (K*FT) = 67.00
MAX. SHEAR (kips) = 1.7
DESIGN UPLIFT PER INDIVIDUAL LEG (kips) = 23.0

CONCRETE VOLUME:
6.0 CUBIC YARDS

CONFIDENTIAL- ALL INTELLECTUAL PROPERTY RIGHTS HEREIN ARE THE PROPERTY OF TRYLON MANUFACTURING COMPANY LTD. ALL DUPLICATION, RECORDING, DISCLOSURE OR USE IS PROHIBITED WITHOUT WRITTEN CONSENT OF TRYLON MANUFACTURING COMPANY LTD.



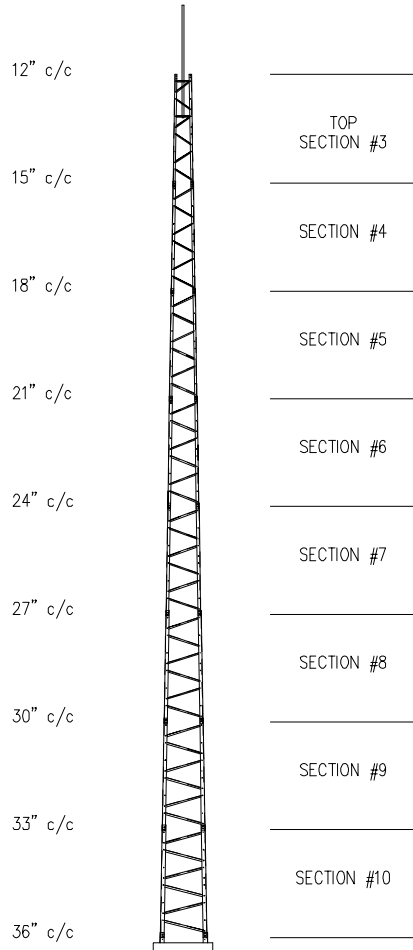
- NOTES:
- 1) PRE-ASSEMBLED PART NUMBER 4.95.0207.000.
 - 2) MAX. ANTENNA LOADS ARE CENTRALLY LOCATED AND BALANCED, 3FT OR LESS ABOVE THE TOWER TOP.
 - 3) "SURVIVAL" DESIGN IS NOT THE SAME AS EIA-222. FOR EIA COMPLIANCE SEE OUR SUPERTITAN MODELS.
 - 4) MINIMUM 32ksi YIELD FOR ALL COMPONENTS.
 - 5) CONSTRUCTED FROM PASSIVATED G-90 COAT GALVANIZED STEEL SHEET.
 - 6) TOWERS COME ASSEMBLED IN 8FT SECTIONS.
 - 7) TOP SUPPORT PIPE IS INCLUDED.
 - 8) FOR OPTIONAL ROCK BOLT FOUNDATION SEE DWG 000001.610.0033 AND 000001.610.0021.

A	MRH	CR	ISSUED FOR DISTRIBUTION	5 APR 07	
REV.	REV. BY:	CHK. BY:	DESCRIPTION	DATE	

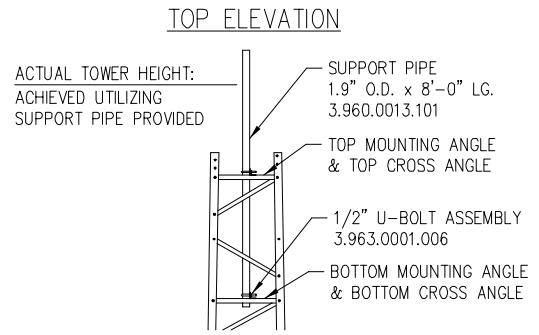
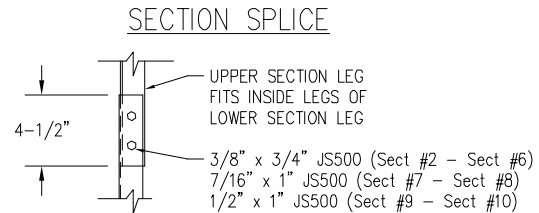
CUSTOMER:	SITE:	SCALE:
DATE: 08 MAR 07	BY: MRH	APP: JB
TITLE: 64' T200 TITAN TOWER	DRAWING NO. 000001.610.0092	

\\ENG-SERVER\pmp\000001.610.0092.1.dwg-5/17/2007 4:32:44 PM-MAUCUSH

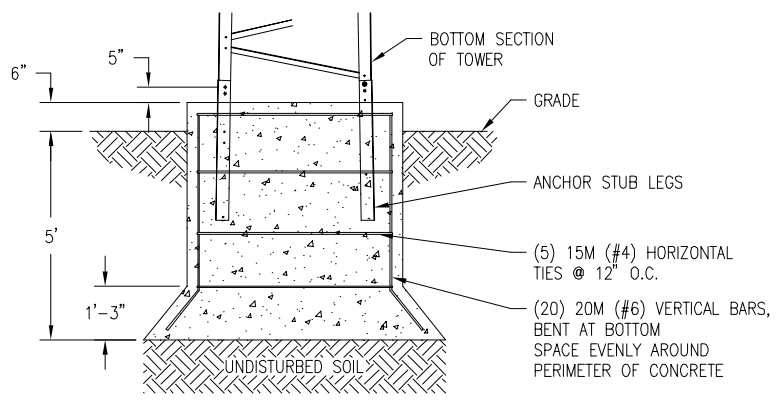
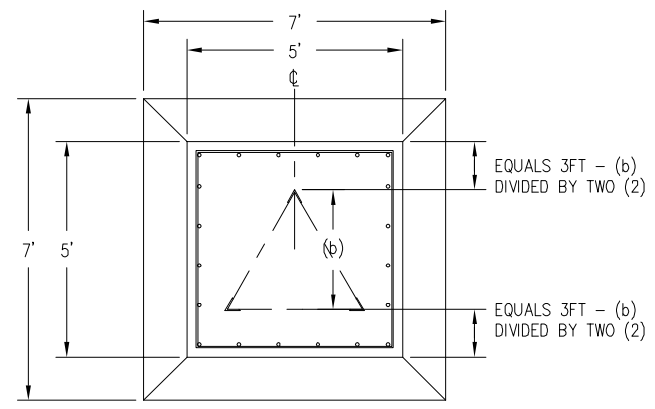
64' T300 TITAN TOWER
(P/N 4.95.0307.000)



MAXIMUM ALLOWABLE ANTENNA AREA		
SURVIVAL DESIGN NO ICE (ROUND/FLAT)		
70mph WIND	85mph WIND	100mph WIND
25/17 (sqft)	9/6 (sqft)	--/--



FOUNDATION DESIGN (NORMAL DRY SOIL)



FOUNDATION LOADS:
MAX. OVERTURNING MOMENT (K*FT) = 67.00
MAX. SHEAR (kips) = 1.7
DESIGN UPLIFT PER INDIVIDUAL LEG (kips) = 23.0

CONCRETE VOLUME:
6.0 CUBIC YARDS

CONFIDENTIAL- ALL INTELLECTUAL PROPERTY RIGHTS HEREIN ARE THE PROPERTY OF TRYLON MANUFACTURING COMPANY LTD. ALL DUPLICATION, RECORDING, DISCLOSURE OR USE IS PROHIBITED WITHOUT WRITTEN CONSENT OF TRYLON MANUFACTURING COMPANY LTD.



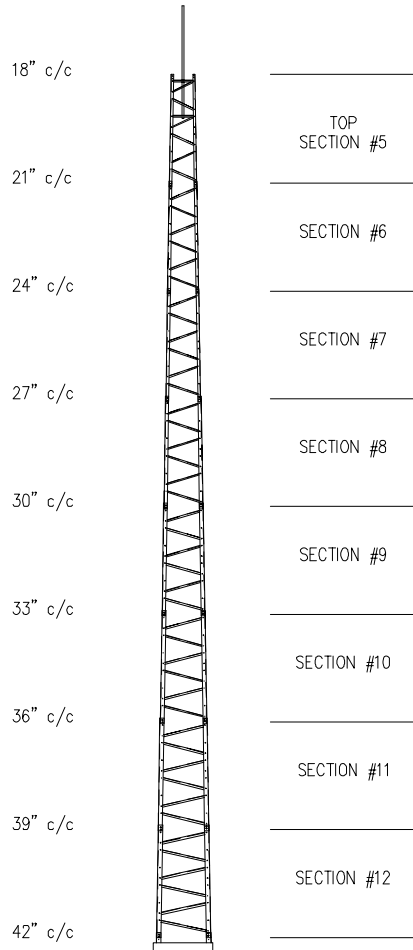
- NOTES:
- 1) PRE-ASSEMBLED PART NUMBER 4.95.0307.000.
 - 2) MAX. ANTENNA LOADS ARE CENTRALLY LOCATED AND BALANCED, 3FT OR LESS ABOVE THE TOWER TOP.
 - 3) "SURVIVAL" DESIGN IS NOT THE SAME AS EIA-222. FOR EIA COMPLIANCE SEE OUR SUPERTITAN MODELS.
 - 4) MINIMUM 32ksi YIELD FOR ALL COMPONENTS.
 - 5) CONSTRUCTED FROM PASSIVATED G-90 COAT GALVANIZED STEEL SHEET.
 - 6) TOWERS COME ASSEMBLED IN 8FT SECTIONS.
 - 7) TOP SUPPORT PIPE IS INCLUDED.
 - 8) FOR OPTIONAL ROCK BOLT FOUNDATION SEE DWG 000001.610.0033 AND 000001.610.0021.

A	MRH	CR	ISSUED FOR DISTRIBUTION	5 APR 07	
REV.	REV. BY:	CHK. BY:	DESCRIPTION	DATE	

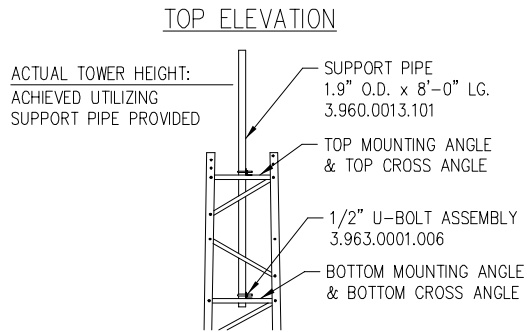
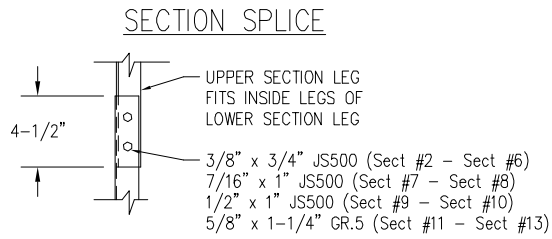
CUSTOMER:	SITE:	SCALE:
DATE: 08 MAR 07	BY: MRH	APP: JB
TITLE: 64' T300 TITAN TOWER	DRAWING NO. 000001.610.0093	

\\ENG-SERVER\pmp\media\VAL\11\DWG\000001.610.0093.1.dwg, 5/7/2007 4:38:24 PM, MANUCSH

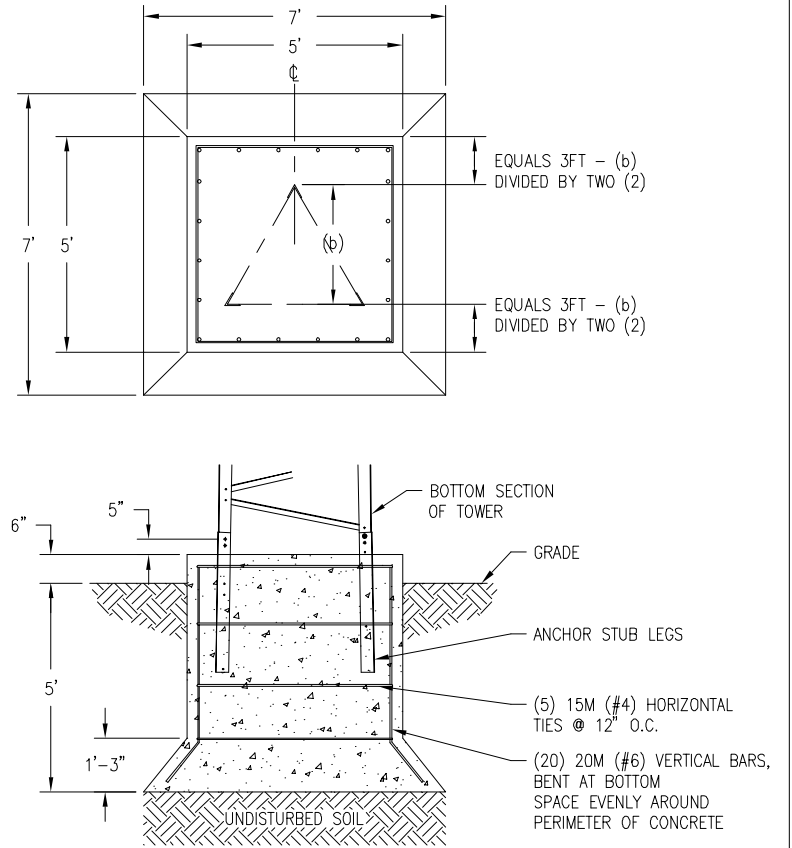
64' T500 TITAN TOWER
(P/N 4.95.0507.000)



MAXIMUM ALLOWABLE ANTENNA AREA		
SURVIVAL DESIGN NO ICE (ROUND/FLAT)		
70mph WIND	85mph WIND	100mph WIND
52/35 (sqft)	27/18 (sqft)	10/7 (sqft)



FOUNDATION DESIGN (NORMAL DRY SOIL)



FOUNDATION LOADS:
MAX. OVERTURNING MOMENT (K*FT) = 67.00
MAX. SHEAR (kips) = 1.7
DESIGN UPLIFT PER INDIVIDUAL LEG (kips) = 23.0

CONCRETE VOLUME:
6.0 CUBIC YARDS

CONFIDENTIAL: ALL INTELLECTUAL PROPERTY RIGHTS HEREIN ARE THE PROPERTY OF TRYLON MANUFACTURING COMPANY LTD. ALL DUPLICATION, RECORDING, DISCLOSURE OR USE IS PROHIBITED WITHOUT WRITTEN CONSENT OF TRYLON MANUFACTURING COMPANY LTD.



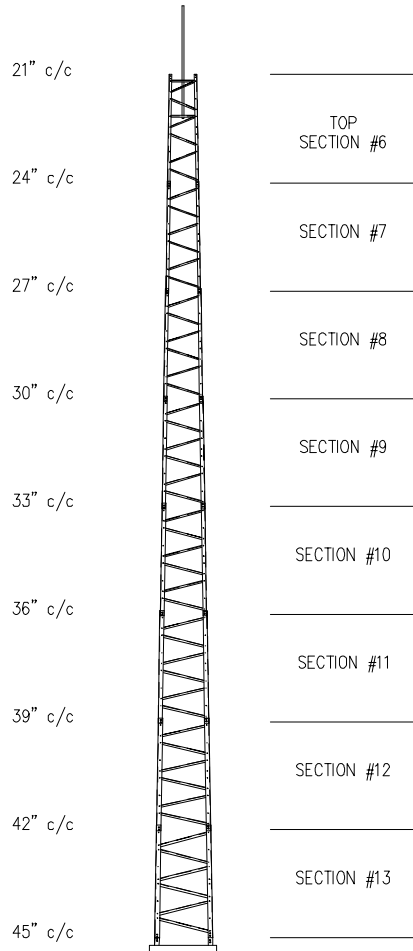
- NOTES:
- 1) PRE-ASSEMBLED PART NUMBER 4.95.0507.000.
 - 2) MAX. ANTENNA LOADS ARE CENTRALLY LOCATED AND BALANCED, 3FT OR LESS ABOVE THE TOWER TOP.
 - 3) "SURVIVAL" DESIGN IS NOT THE SAME AS EIA-222. FOR EIA COMPLIANCE SEE OUR SUPERTITAN MODELS.
 - 4) MINIMUM 32ksi YIELD FOR ALL COMPONENTS.
 - 5) CONSTRUCTED FROM PASSIVATED G-90 COAT GALVANIZED STEEL SHEET.
 - 6) TOWERS COME ASSEMBLED IN 8FT SECTIONS.
 - 7) TOP SUPPORT PIPE IS INCLUDED.
 - 8) FOR OPTIONAL ROCK BOLT FOUNDATION SEE DWG 000001.610.0033 AND 000001.610.0021.

A	MRH	CR	ISSUED FOR DISTRIBUTION	5 APR 07	
REV.	REV. BY:	CHK. BY:	DESCRIPTION	DATE	

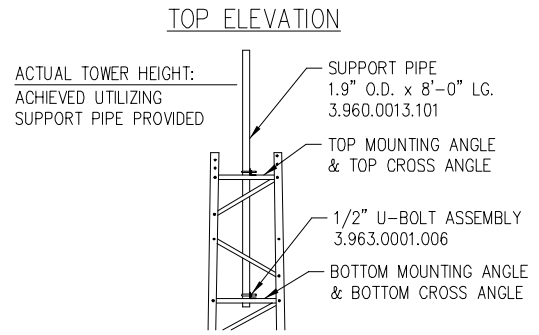
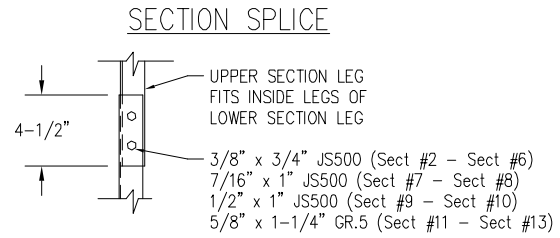
CUSTOMER:	SITE:	SCALE:
DATE: 08 MAR 07	BY: MRH	CHK: CR
TITLE: 64' T500 TITAN TOWER	DRAWING NO. 000001.610.0095	APP: JB

\\ENG-SERVER\pmp\000001.610.0095.dwg: 5/17/2007 4:39:33 PM: MAMCUSH

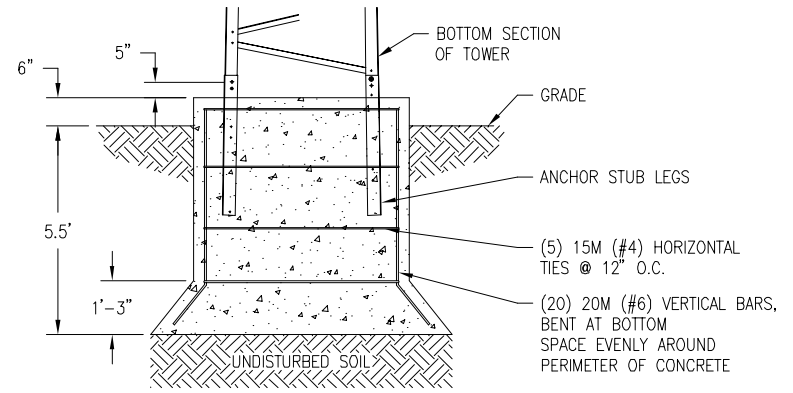
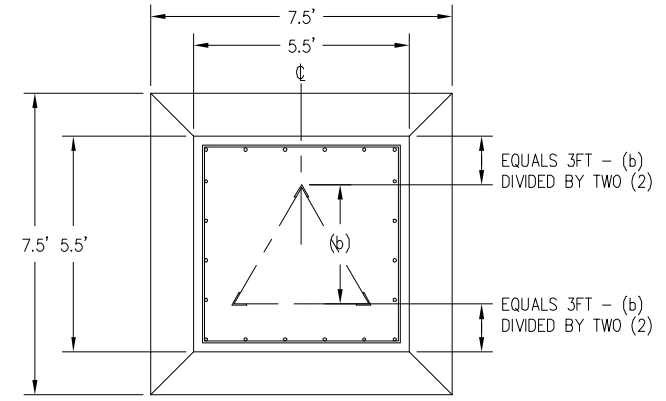
64' T600 TITAN TOWER
(P/N 4.95.0607.000)



MAXIMUM ALLOWABLE ANTENNA AREA		
SURVIVAL DESIGN NO ICE (ROUND/FLAT)		
70mph WIND	85mph WIND	100mph WIND
70/47 (sqft)	40/27 (sqft)	15/10 (sqft)



FOUNDATION DESIGN (NORMAL DRY SOIL)



FOUNDATION LOADS:
 MAX. OVERTURNING MOMENT (K*FT) = 105.00
 MAX. SHEAR (kips) = 3.0
 DESIGN UPLIFT PER INDIVIDUAL LEG (kips) = 32.0

CONCRETE VOLUME:
 7.0 CUBIC YARDS

CONFIDENTIAL: ALL INTELLECTUAL PROPERTY RIGHTS HEREIN ARE THE PROPERTY OF TRYLON MANUFACTURING COMPANY LTD. ALL DUPLICATION, RECORDING, DISCLOSURE OR USE IS PROHIBITED WITHOUT WRITTEN CONSENT OF TRYLON MANUFACTURING COMPANY LTD.



- NOTES:
- 1) PRE-ASSEMBLED PART NUMBER 4.95.0607.000.
 - 2) MAX. ANTENNA LOADS ARE CENTRALLY LOCATED AND BALANCED, 3FT OR LESS ABOVE THE TOWER TOP.
 - 3) "SURVIVAL" DESIGN IS NOT THE SAME AS EIA-222. FOR EIA COMPLIANCE SEE OUR SUPERTITAN MODELS.
 - 4) MINIMUM 32ksi YIELD FOR ALL COMPONENTS.
 - 5) CONSTRUCTED FROM PASSIVATED G-90 COAT GALVANIZED STEEL SHEET.
 - 6) TOWERS COME ASSEMBLED IN 8FT SECTIONS.
 - 7) TOP SUPPORT PIPE IS INCLUDED.
 - 8) FOR OPTIONAL ROCK BOLT FOUNDATION SEE DWG 000001.610.0033 AND 000001.610.0021.

A	MRH	CR	ISSUED FOR DISTRIBUTION	5 APR 07	
REV.	REV. BY:	CHK. BY:	DESCRIPTION	DATE	

CUSTOMER:	SITE:	SCALE:
DATE: 08 MAR 07	BY: MRH	CHK: CR
TITLE: 64' T600 TITAN TOWER	APP: JB	DRAWING NO. 000001.610.0096

\\ENG-SERVER\pmp\media\wall\1\p\wall\0096-1.dwg-5/7/2007 4:40:08 PM:IMACUSH