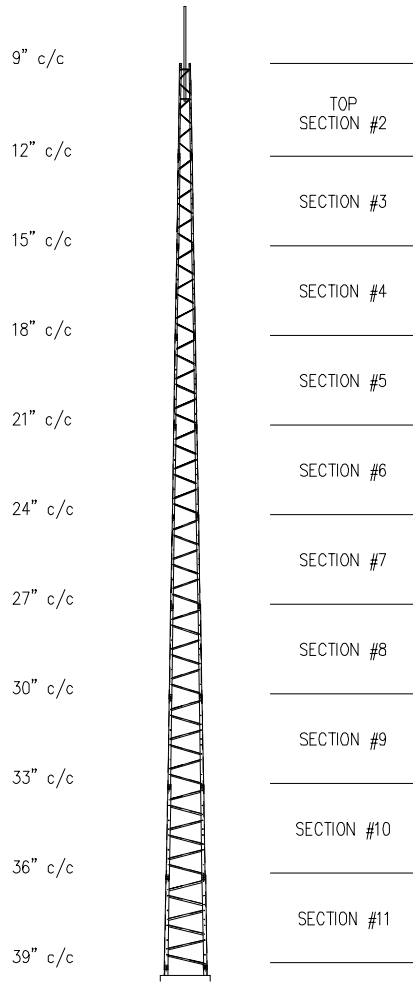
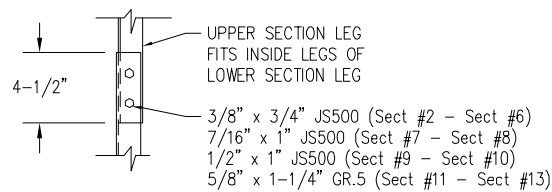


80' T200 TITAN TOWER  
(P/N 4.95.0209.000)

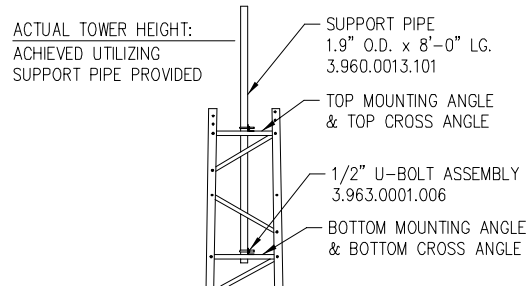


MAXIMUM ALLOWABLE ANTENNA AREA		
SURVIVAL DESIGN NO ICE (ROUND/FLAT)		
70mph WIND	85mph WIND	100mph WIND
15/10 (sqft)	2/2 (sqft)	--/--

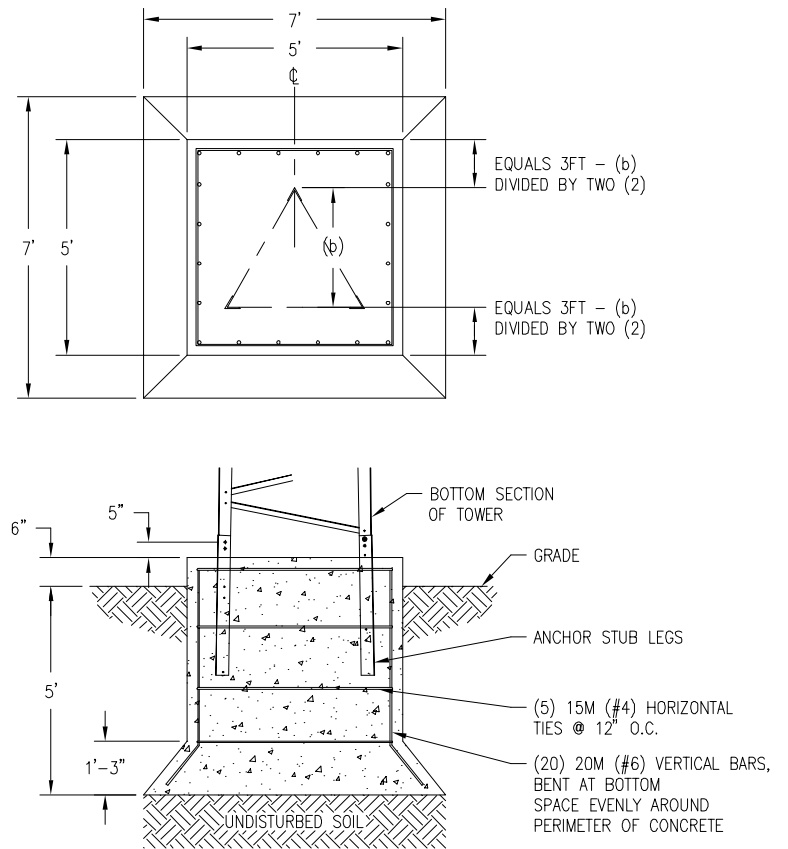
SECTION SPLICE



TOP ELEVATION



FOUNDATION DESIGN (NORMAL DRY SOIL)



FOUNDATION LOADS:  
MAX. OVERTURNING MOMENT (K\*FT) = 67.00  
MAX. SHEAR (kips) = 1.7  
DESIGN UPLIFT PER  
INDIVIDUAL LEG (kips) = 23.0

CONCRETE VOLUME:  
6.0 CUBIC YARDS

CONFIDENTIAL: ALL INTELLECTUAL PROPERTY RIGHTS HEREIN ARE THE PROPERTY OF  
TRYLON MANUFACTURING COMPANY LTD. ALL DUPLICATION, RECORDING, DISCLOSURE OR  
USE IS PROHIBITED WITHOUT WRITTEN CONSENT OF TRYLON MANUFACTURING COMPANY LTD.

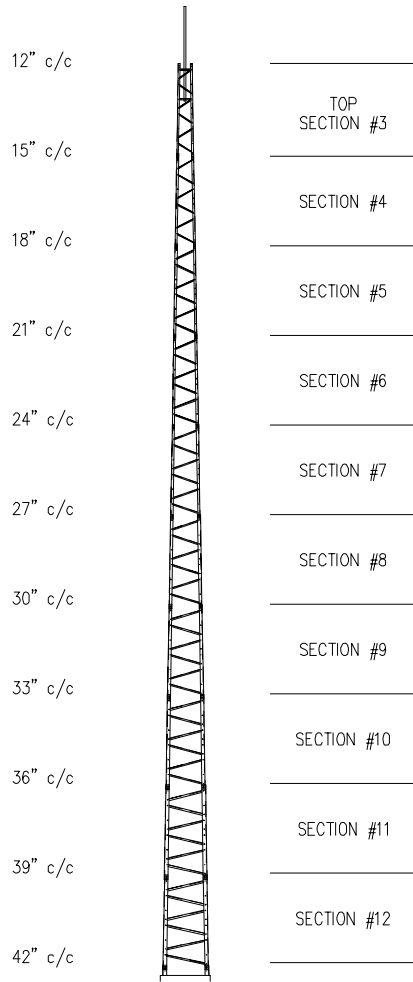


- NOTES:
- 1) PRE-ASSEMBLED PART NUMBER 4.95.0209.000.
  - 2) MAX. ANTENNA LOADS ARE CENTRALLY LOCATED AND BALANCED, 3FT OR LESS ABOVE THE TOWER TOP.
  - 3) "SURVIVAL" DESIGN IS NOT THE SAME AS EIA-222. FOR EIA COMPLIANCE SEE OUR SUPERTITAN MODELS.
  - 4) MINIMUM 32ksi YIELD FOR ALL COMPONENTS.
  - 5) CONSTRUCTED FROM PASSIVATED G-90 COAT GALVANIZED STEEL SHEET.
  - 6) TOWERS COME ASSEMBLED IN 8FT SECTIONS.
  - 7) TOP SUPPORT PIPE IS INCLUDED.
  - 8) FOR OPTIONAL ROCK BOLT FOUNDATION SEE DWG 000001.610.0033 AND 000001.610.0021.

A	MRH	CR	ISSUED FOR DISTRIBUTION	5 APR 07	
REV.	REV. BY:	CHK. BY:	DESCRIPTION	DATE	

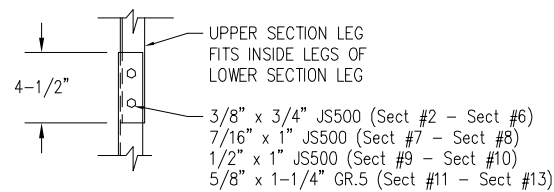
CUSTOMER:	SITE:	SCALE:	125,000
DATE: 08 MAR 07	BY: MRH	CHK: CR	APP: JB
TITLE:	80' T200 TITAN TOWER		DRAWING NO. 000001.610.0101

80' T300 TITAN TOWER  
(P/N 4.95.0309.000)

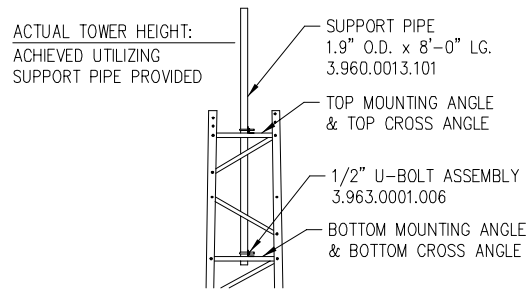


MAXIMUM ALLOWABLE ANTENNA AREA		
SURVIVAL DESIGN NO ICE (ROUND/FLAT)		
70mph WIND	85mph WIND	100mph WIND
25/17 (sqft)	9/6 (sqft)	--/--

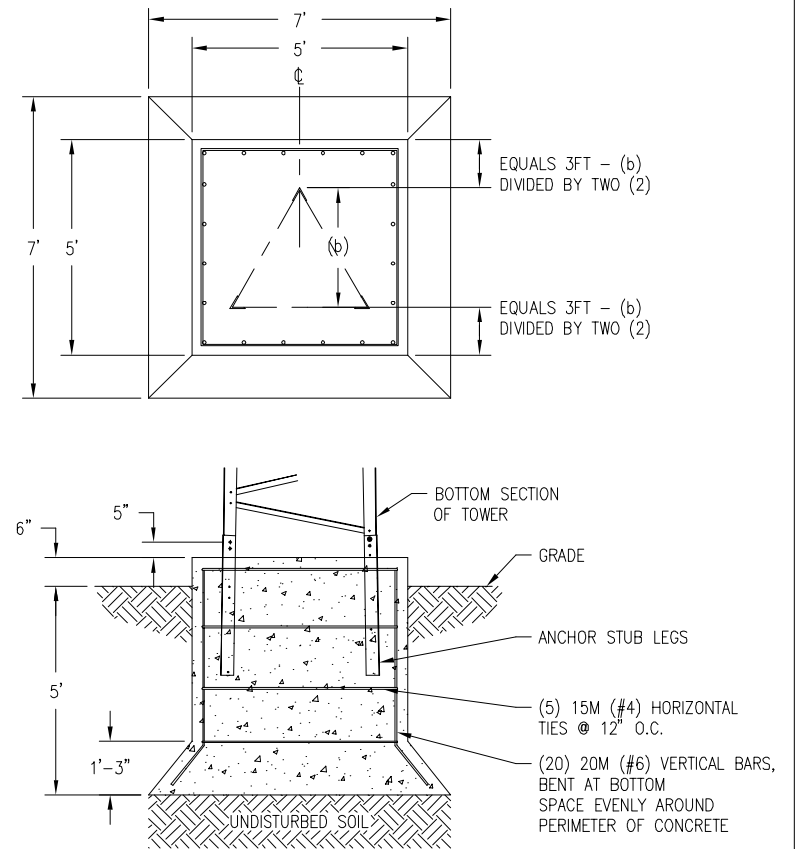
SECTION SPLICE



TOP ELEVATION



FOUNDATION DESIGN (NORMAL DRY SOIL)



FOUNDATION LOADS:  
MAX. OVERTURNING MOMENT (K\*FT) = 67.00  
MAX. SHEAR (kips) = 1.7  
DESIGN UPLIFT PER INDIVIDUAL LEG (kips) = 23.0

CONCRETE VOLUME:  
6.0 CUBIC YARDS

CONFIDENTIAL: ALL INTELLECTUAL PROPERTY RIGHTS HEREIN ARE THE PROPERTY OF TRYLON MANUFACTURING COMPANY LTD. ALL DUPLICATION, RECORDING, DISCLOSURE OR USE IS PROHIBITED WITHOUT WRITTEN CONSENT OF TRYLON MANUFACTURING COMPANY LTD.

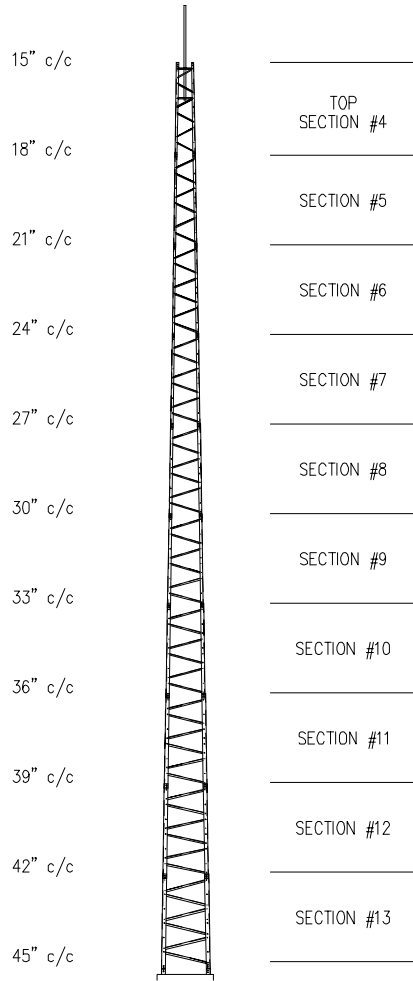


- NOTES:
- 1) PRE-ASSEMBLED PART NUMBER 4.95.0309.000.
  - 2) MAX. ANTENNA LOADS ARE CENTRALLY LOCATED AND BALANCED, 3FT OR LESS ABOVE THE TOWER TOP.
  - 3) "SURVIVAL" DESIGN IS NOT THE SAME AS EIA-222. FOR EIA COMPLIANCE SEE OUR SUPERTITAN MODELS.
  - 4) MINIMUM 32ksi YIELD FOR ALL COMPONENTS.
  - 5) CONSTRUCTED FROM PASSIVATED G-90 COAT GALVANIZED STEEL SHEET.
  - 6) TOWERS COME ASSEMBLED IN 8FT SECTIONS.
  - 7) TOP SUPPORT PIPE IS INCLUDED.
  - 8) FOR OPTIONAL ROCK BOLT FOUNDATION SEE DWG 000001.610.0033 AND 000001.610.0021.

A	MRH	CR	ISSUED FOR DISTRIBUTION	5 APR 07	
REV.	REV. BY:	CHK. BY:	DESCRIPTION	DATE	

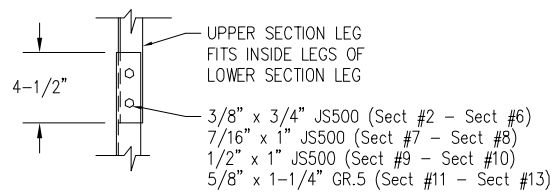
CUSTOMER:	SITE:	SCALE:	125,000
DATE: 08 MAR 07	BY: MRH	CHK: CR	APP: JB
TITLE:	80' T300 TITAN TOWER		DRAWING NO. 000001.610.0102

80' T400 TITAN TOWER  
(P/N 4.95.0409.000)

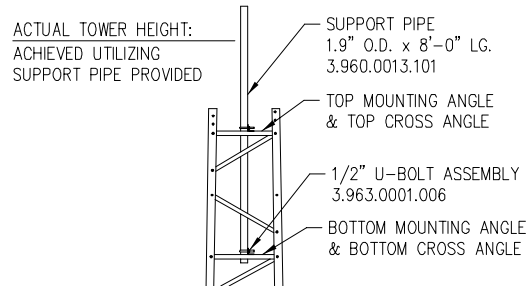


MAXIMUM ALLOWABLE ANTENNA AREA		
SURVIVAL DESIGN NO ICE (ROUND/FLAT)		
70mph WIND	85mph WIND	100mph WIND
39/26 (sqft)	17/11 (sqft)	1/1 (sqft)

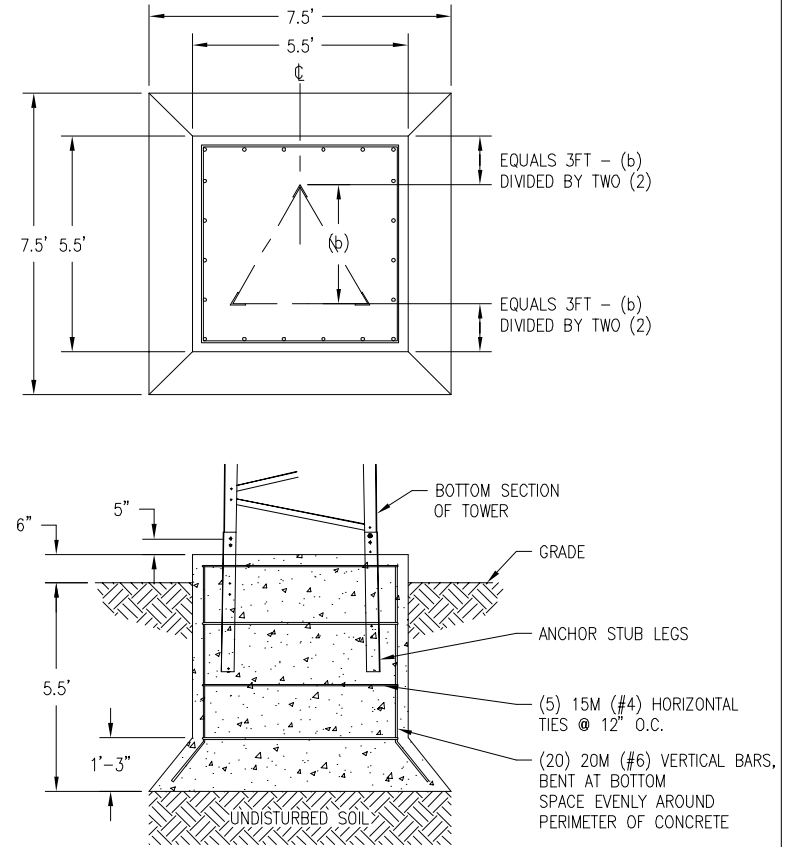
SECTION SPLICE



TOP ELEVATION



FOUNDATION DESIGN (NORMAL DRY SOIL)



FOUNDATION LOADS:  
MAX. OVERTURNING MOMENT (K\*FT) = 105.00  
MAX. SHEAR (kips) = 3.0  
DESIGN UPLIFT PER  
INDIVIDUAL LEG (kips) = 32.0

CONCRETE VOLUME:  
7.0 CUBIC YARDS

CONFIDENTIAL: ALL INTELLECTUAL PROPERTY RIGHTS HEREIN ARE THE PROPERTY OF  
TRYLON MANUFACTURING COMPANY LTD. ALL DUPLICATION, RECORDING, DISCLOSURE OR  
USE IS PROHIBITED WITHOUT WRITTEN CONSENT OF TRYLON MANUFACTURING COMPANY LTD.



- NOTES:
- 1) PRE-ASSEMBLED PART NUMBER 4.95.0409.000.
  - 2) MAX. ANTENNA LOADS ARE CENTRALLY LOCATED AND BALANCED, 3FT OR LESS ABOVE THE TOWER TOP.
  - 3) "SURVIVAL" DESIGN IS NOT THE SAME AS EIA-222. FOR EIA COMPLIANCE SEE OUR SUPERTITAN MODELS.
  - 4) MINIMUM 32ksi YIELD FOR ALL COMPONENTS.
  - 5) CONSTRUCTED FROM PASSIVATED G-90 COAT GALVANIZED STEEL SHEET.
  - 6) TOWERS COME ASSEMBLED IN 8FT SECTIONS.
  - 7) TOP SUPPORT PIPE IS INCLUDED.
  - 8) FOR OPTIONAL ROCK BOLT FOUNDATION SEE DWG 000001.610.0033 AND 000001.610.0021.

A	MRH	CR	ISSUED FOR DISTRIBUTION	5 APR 07	
REV.	REV. BY:	CHK. BY:	DESCRIPTION	DATE	

CUSTOMER:	SITE:	SCALE:	125,000
DATE: 08 MAR 07	BY: MRH	CHK: CR	APP: JB
TITLE:	80' T400 TITAN TOWER		DRAWING NO. 000001.610.0103

\\ENG-SERVER\pmpedra\VALU...610.0103.1.dwg, 5/12/07, 4:44:01 PM, MARCOUSH