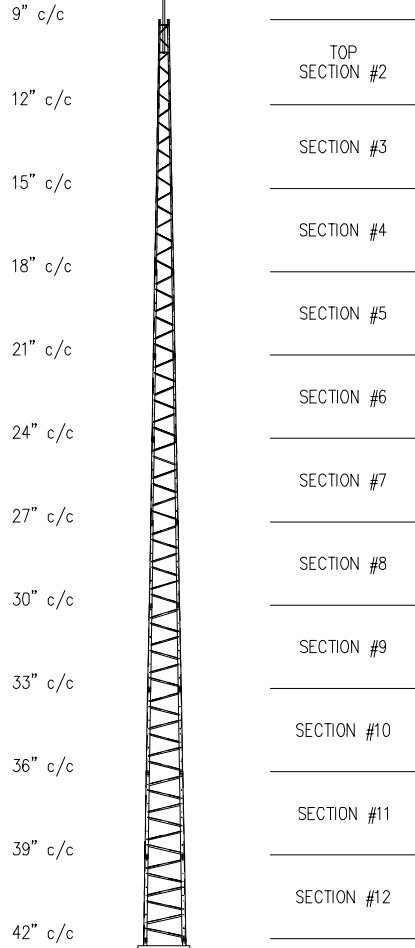
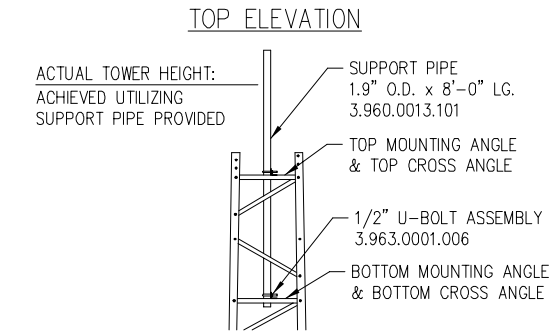
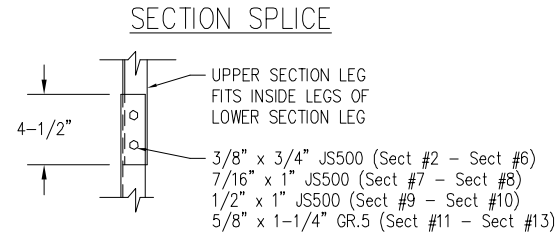


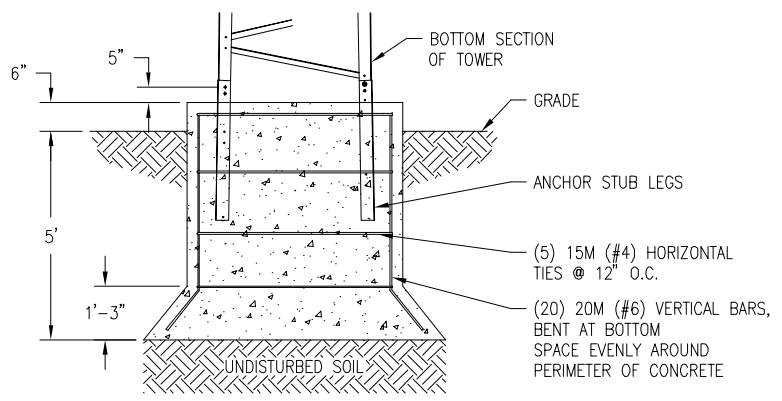
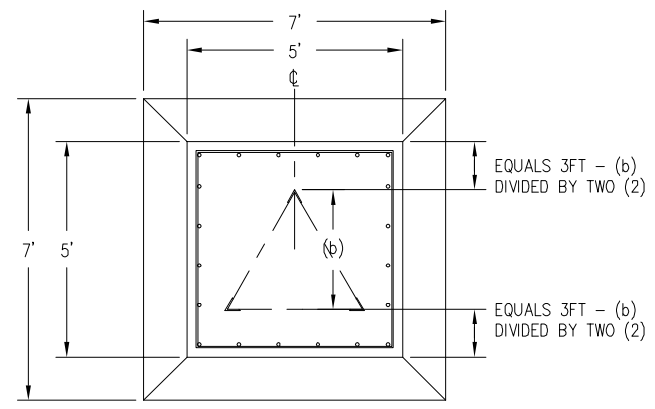
88' T200 TITAN TOWER  
(P/N 4.95.0210.000)



MAXIMUM ALLOWABLE ANTENNA AREA		
SURVIVAL DESIGN NO ICE (ROUND/FLAT)		
70mph WIND	85mph WIND	100mph WIND
16/10 (sqft)	3/2 (sqft)	---/---



FOUNDATION DESIGN (NORMAL DRY SOIL)



FOUNDATION LOADS:  
MAX. OVERTURNING MOMENT (K\*FT) = 67.00  
MAX. SHEAR (kips) = 1.7  
DESIGN UPLIFT PER INDIVIDUAL LEG (kips) = 23.0

CONCRETE VOLUME:  
6.0 CUBIC YARDS

CONFIDENTIAL: ALL INTELLECTUAL PROPERTY RIGHTS HEREIN ARE THE PROPERTY OF TRYLON MANUFACTURING COMPANY LTD. ALL DUPLICATION, RECORDING, DISCLOSURE OR USE IS PROHIBITED WITHOUT WRITTEN CONSENT OF TRYLON MANUFACTURING COMPANY LTD.



- NOTES:
- 1) PRE-ASSEMBLED PART NUMBER 4.95.0210.000.
  - 2) MAX. ANTENNA LOADS ARE CENTRALLY LOCATED AND BALANCED, 3FT OR LESS ABOVE THE TOWER TOP.
  - 3) "SURVIVAL" DESIGN IN NOT THE SAME AS EIA-222. FOR EIA COMPLIANCE SEE OUR SUPERTITAN MODELS.
  - 4) MINIMUM 32ksi YIELD FOR ALL COMPONENTS.
  - 5) CONSTRUCTED FROM PASSIVATED G-90 COAT GALVANIZED STEEL SHEET.
  - 6) TOWERS COME ASSEMBLED IN 8FT SECTIONS.
  - 7) TOP SUPPORT PIPE IS INCLUDED.
  - 8) FOR OPTIONAL ROCK BOLT FOUNDATION SEE DWG 000001.610.0033 AND 000001.610.0021.

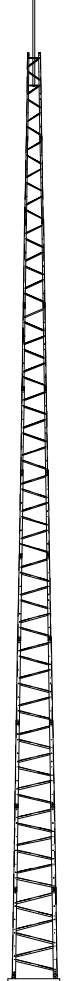
A	MRH	CR	ISSUED FOR DISTRIBUTION	5 APR 07	
REV.	REV. BY:	CHK. BY:	DESCRIPTION	DATE	

CUSTOMER:	SITE:	SCALE:	135,000
DATE: 08 MAR 07	BY: MRH	CHK: CR	APP: JB
TITLE:	88' T200 TITAN TOWER		DRAWING NO. 000001.610.0104

\\ENG-SERVER\pmp\media\VALU...000001.610.0104.1.dwg, 3/7/2007, 4:46:29 PM, MAMCCUSH

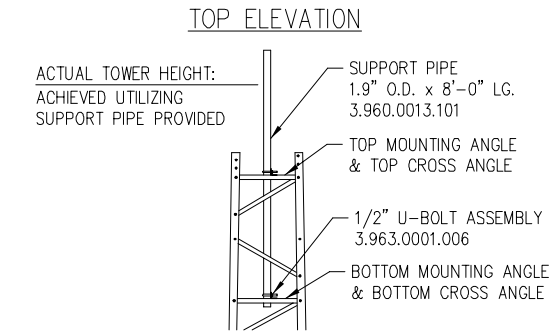
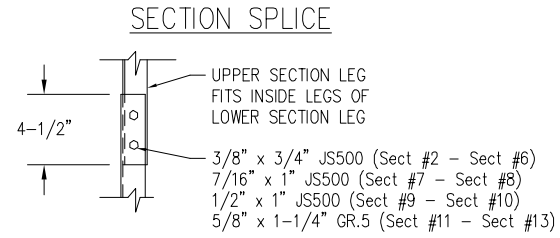
88' T300 TITAN TOWER  
(P/N 4.95.0310.000)

12" c/c  
15" c/c  
18" c/c  
21" c/c  
24" c/c  
27" c/c  
30" c/c  
33" c/c  
36" c/c  
39" c/c  
42" c/c  
45" c/c

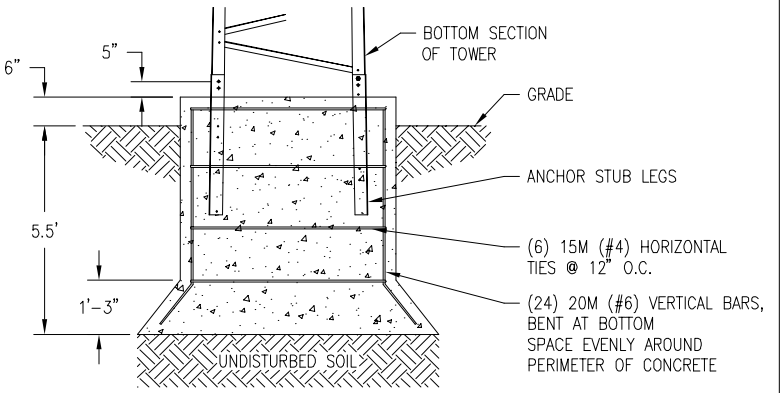
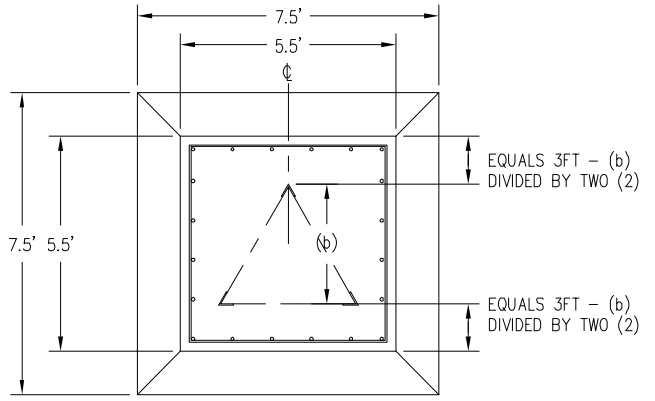


- TOP SECTION #3
- SECTION #4
- SECTION #5
- SECTION #6
- SECTION #7
- SECTION #8
- SECTION #9
- SECTION #10
- SECTION #11
- SECTION #12
- SECTION #13

MAXIMUM ALLOWABLE ANTENNA AREA		
SURVIVAL DESIGN NO ICE (ROUND/FLAT)		
70mph WIND	85mph WIND	100mph WIND
22/15 (sqft)	6/4 (sqft)	---/---



**FOUNDATION DESIGN (NORMAL DRY SOIL)**



**FOUNDATION LOADS:**  
MAX. OVERTURNING MOMENT (K\*FT) = 105.00  
MAX. SHEAR (kips) = 3.0  
DESIGN UPLIFT PER INDIVIDUAL LEG (kips) = 32.0

**CONCRETE VOLUME:**  
7.0 CUBIC YARDS

CONFIDENTIAL: ALL INTELLECTUAL PROPERTY RIGHTS HEREIN ARE THE PROPERTY OF TRYLON MANUFACTURING COMPANY LTD. ALL DUPLICATION, RECORDING, DISCLOSURE OR USE IS PROHIBITED WITHOUT WRITTEN CONSENT OF TRYLON MANUFACTURING COMPANY LTD.



- NOTES:
- 1) PRE-ASSEMBLED PART NUMBER 4.95.0310.000.
  - 2) MAX. ANTENNA LOADS ARE CENTRALLY LOCATED AND BALANCED, 3FT OR LESS ABOVE THE TOWER TOP.
  - 3) "SURVIVAL" DESIGN IN NOT THE SAME AS EIA-222. FOR EIA COMPLIANCE SEE OUR SUPERTITAN MODELS.
  - 4) MINIMUM 32ksi YIELD FOR ALL COMPONENTS.
  - 5) CONSTRUCTED FROM PASSIVATED G-90 COAT GALVANIZED STEEL SHEET.
  - 6) TOWERS COME ASSEMBLED IN 8FT SECTIONS.
  - 7) TOP SUPPORT PIPE IS INCLUDED.
  - 8) FOR OPTIONAL ROCK BOLT FOUNDATION SEE DWG 000001.610.0033 AND 000001.610.0021.

A	MRH	CR	ISSUED FOR DISTRIBUTION	5 APR 07	
REV.	REV. BY:	CHK. BY:	DESCRIPTION	DATE	

CUSTOMER:	SITE:	SCALE:	135,000
DATE: 08 MAR 07	BY: MRH	CHK: CR	APP: JB
TITLE: 88' T300 TITAN TOWER			DRAWING NO. 000001.610.0105

I:\ENG-SERVER\project\88' TITAN\DWG\000001.610.0105.dwg, 5/17/2007, 4:44:56 PM, MARCUS.H