



# ERICSSON RRU MOUNT KITS



# ACCESSORIES

## ERICSSON RRU MOUNT KITS

The Ericsson RRU Mount Kits provide simple and cost effective mounting of one to four Ericsson RRUs. These kits will mount to a variety of member shapes and sizes including pipe, solid round and angle, allowing utilization of existing tower members. Each kit includes 2 levels of bracket assemblies and universal hardware for attachment to the tower or pipe mount. All components are hot-dip galvanized except plastic end caps.

Kit #	Description	Qty	Wt
<b>RRU Mount Kit</b>			
4.927.0057.001	4-way RRU Mount Kit (2-3/8" OD to 4-1/2" OD, 3" to 4" angle) <b>Design:</b> mounts one to four Ericsson RRUs to a single pipe or tower leg <b>Kit Packaging:</b> shipped in cardboard box 18" wide x 22" deep x 6" tall	Ea	45
4.927.0064.001	3-way RRU Mount Kit (2-3/8" OD to 4-1/2" OD, 3" to 4" angle) <b>Design:</b> mounts one to three Ericsson RRUs to a single pipe or tower leg <b>Kit Packaging:</b> shipped in cardboard box 13" wide x 17" deep x 5" tall	Ea	33
4.927.0063.001	2-way RRU Mount Kit (2-3/8" OD to 4-1/2" OD, 3" to 4" angle) <b>Design:</b> mounts one to two Ericsson RRUs to a single pipe or tower leg <b>Kit Packaging:</b> shipped in cardboard box 13" wide x 17" deep x 5" tall	Ea	25

**Product:** Ericsson RRU Mount Kits

**Attaches:** one kit fits 2-3/8" OD to 4-1/2" OD pipe and 3" to 4" angle

**Included:** two levels of bracket assemblies and all hardware

**Kit Shipping Weights:** 45 lbs. (4.927.0057.001), 33 lbs. (4.927.0064.001) and 25 lbs. (4.927.0063.001)

**Bulk Packaging:** individually over packed on 48" x 48" wood pallet, wrapped with stretch wrap. Kit 4.927.0057.001 has 20 boxes per skid and either kit 4.927.0064.001 or 4.927.0063.001 each have 40 boxes per skid.



# ACCESSORIES

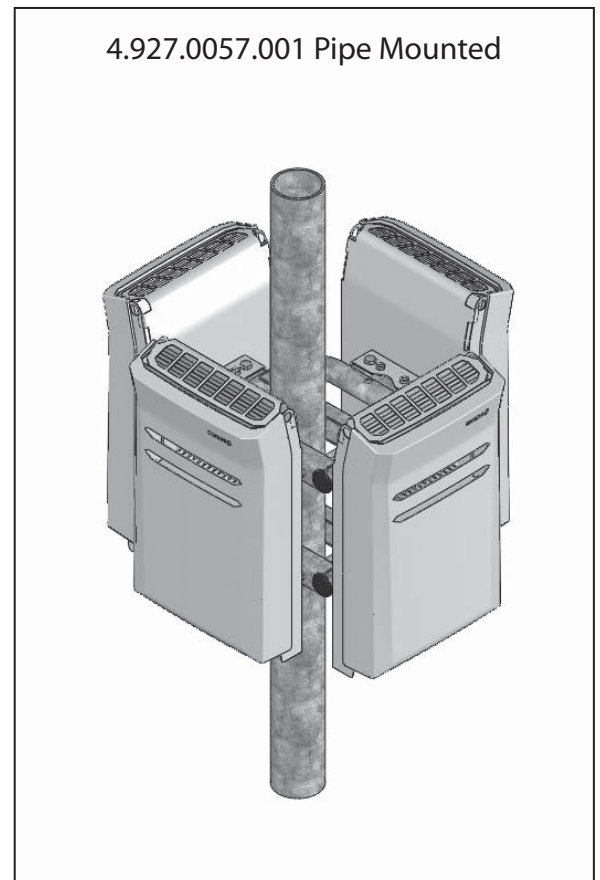
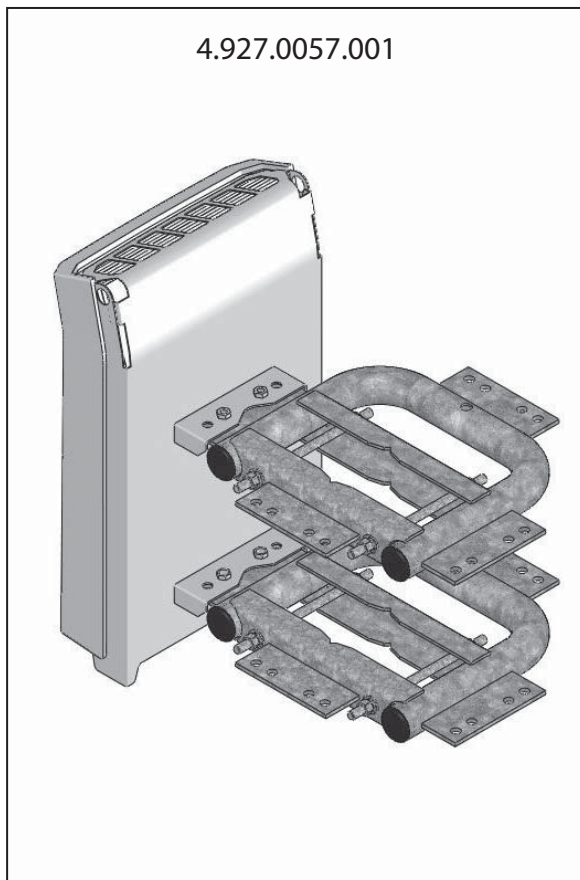
## 4-WAY RRU MOUNT KIT

P/N 4.927.0057.001

4-way RRU Mount Kit (2-3/8" OD to 4-1/2" OD, 3" to 4" angle)

Mounts one to four Ericsson RRUs to a single pipe or tower leg

Fits Ericsson RRUs shipped with Ericsson mounting brackets containing (2) 9/16" holes at 5-1/8" spacing



# ACCESSORIES

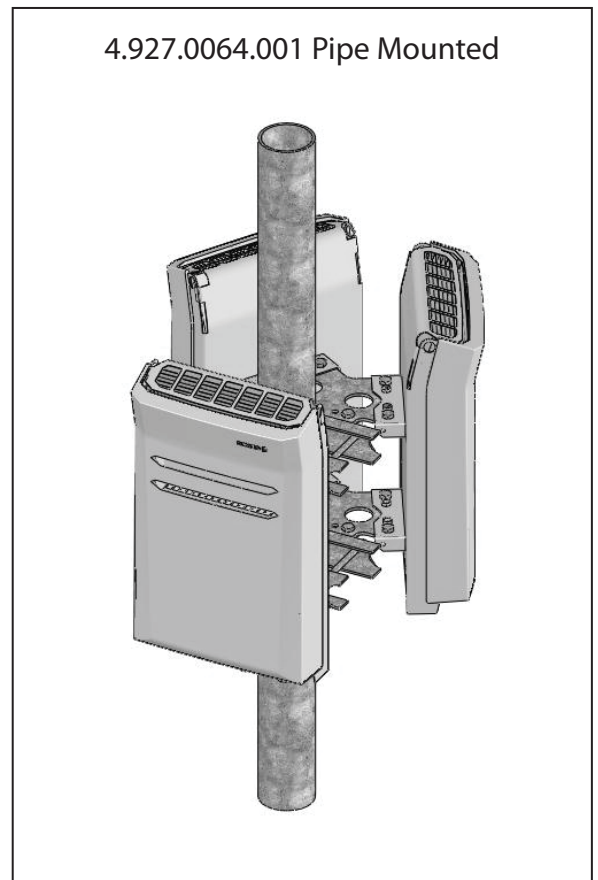
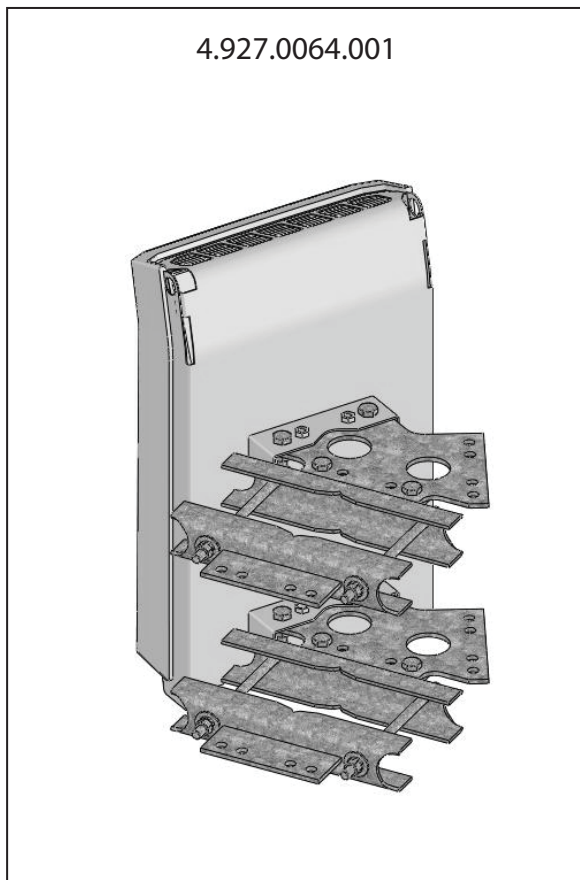
## 3-WAY RRU MOUNT KIT

P/N 4.927.0064.001

3-way RRU Mount Kit (2-3/8" OD to 4-1/2" OD, 3" to 4" angle)

Mounts one to three Ericsson RRUs to a single pipe or tower leg

Fits Ericsson RRUs shipped with Ericsson mounting brackets containing (2) 9/16" holes at 5-1/8" spacing



# ACCESSORIES

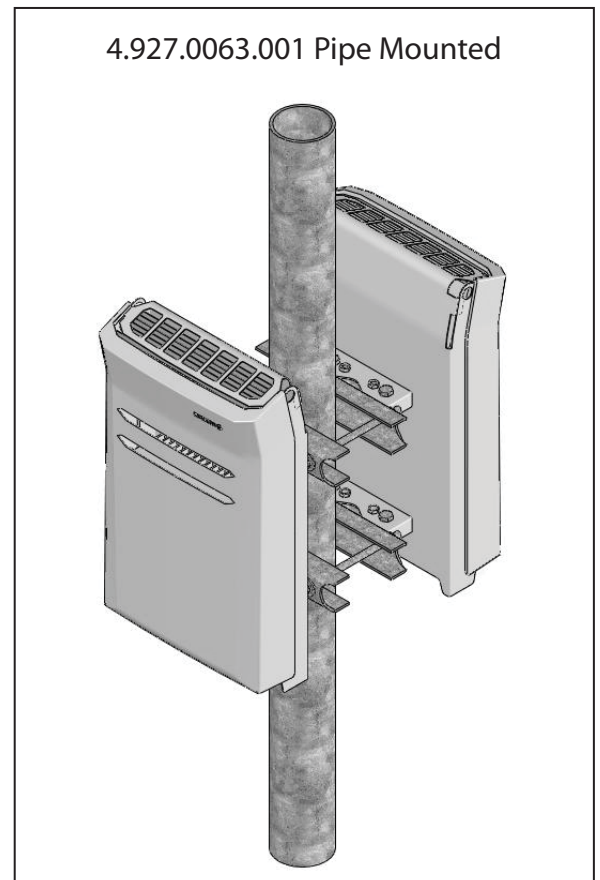
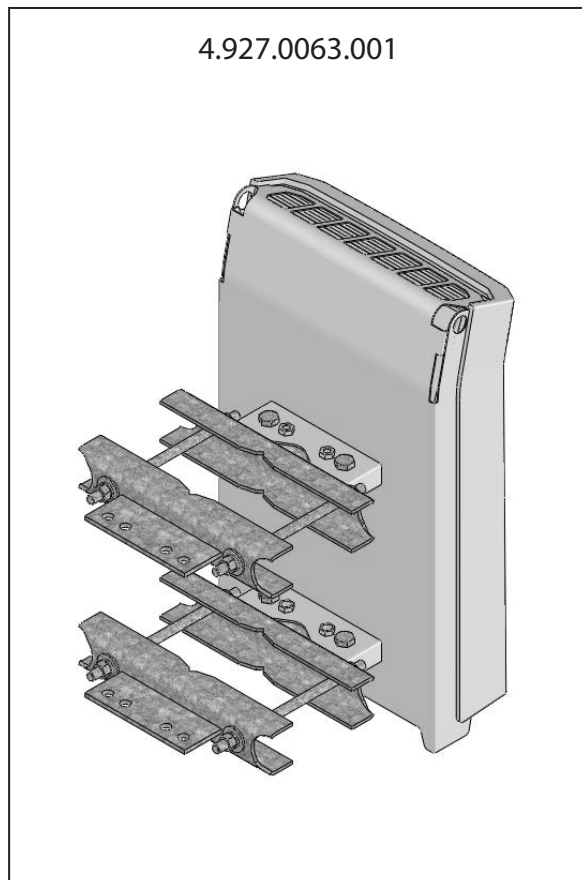
## 2-WAY RRU MOUNT KIT

P/N 4.927.0063.001

2-way RRU Mount Kit (2-3/8" OD to 4-1/2" OD, 3" to 4" angle)

Mounts one to two Ericsson RRUs to a single pipe or tower leg

Fits Ericsson RRUs shipped with Ericsson mounting brackets containing (2) 9/16" holes at 5-1/8" spacing





## **TRYLON®**

21 South Field Drive, Elmira, ON N3B 0A6

Phone: (519) 669-5421

Fax: (519) 669-8912

[www.trylon.com](http://www.trylon.com)

[StockProducts@trylon.com](mailto:StockProducts@trylon.com)

TM, ®, ©, LOGOS, STYLIZED NAMES ARE TRADEMARKS OF TRYLON  
MANUFACTURING COMPANY LTD. © 2015 PRINTED IN CANADA



**Trylon**

[www.trylon.com](http://www.trylon.com)